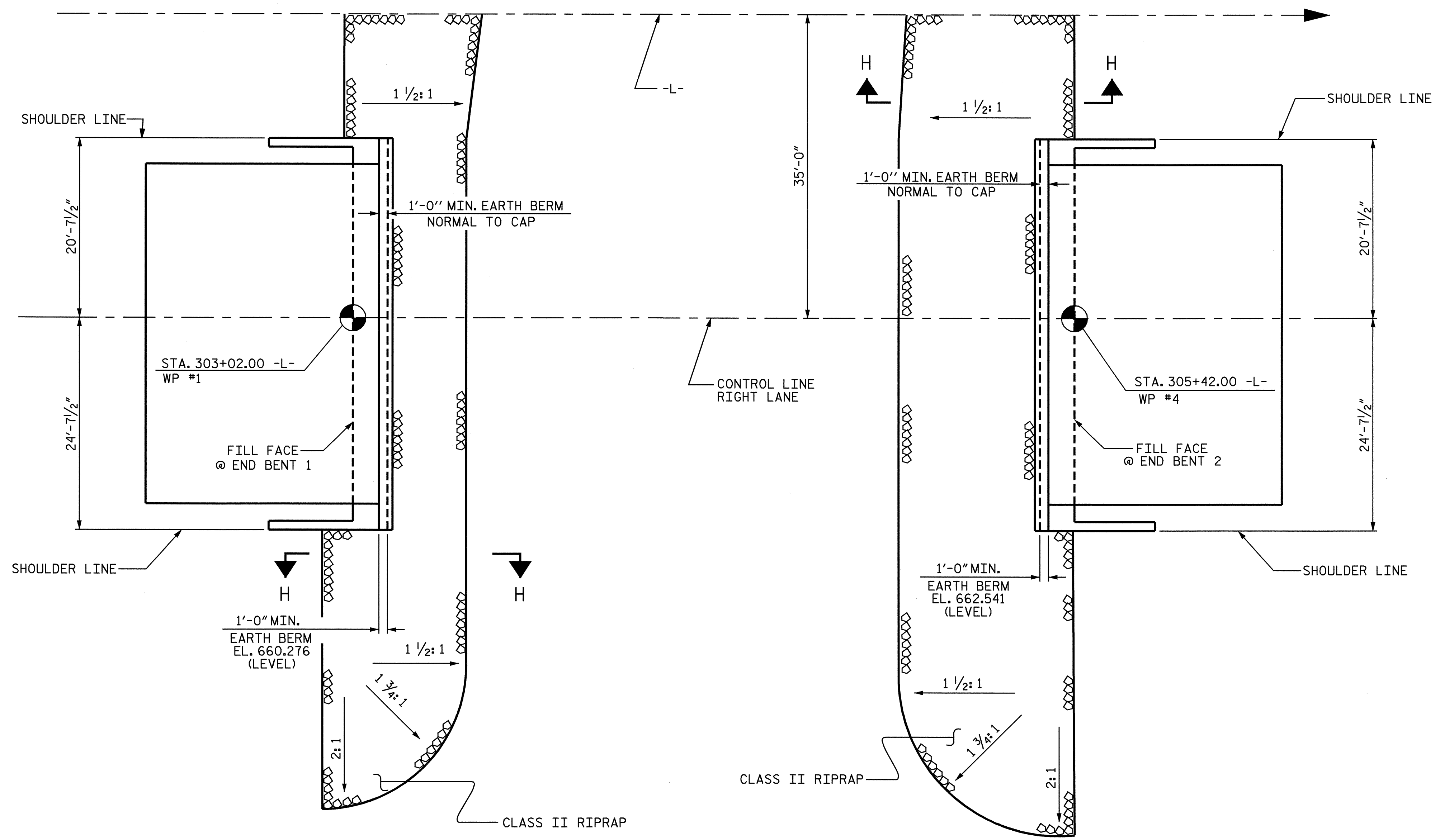


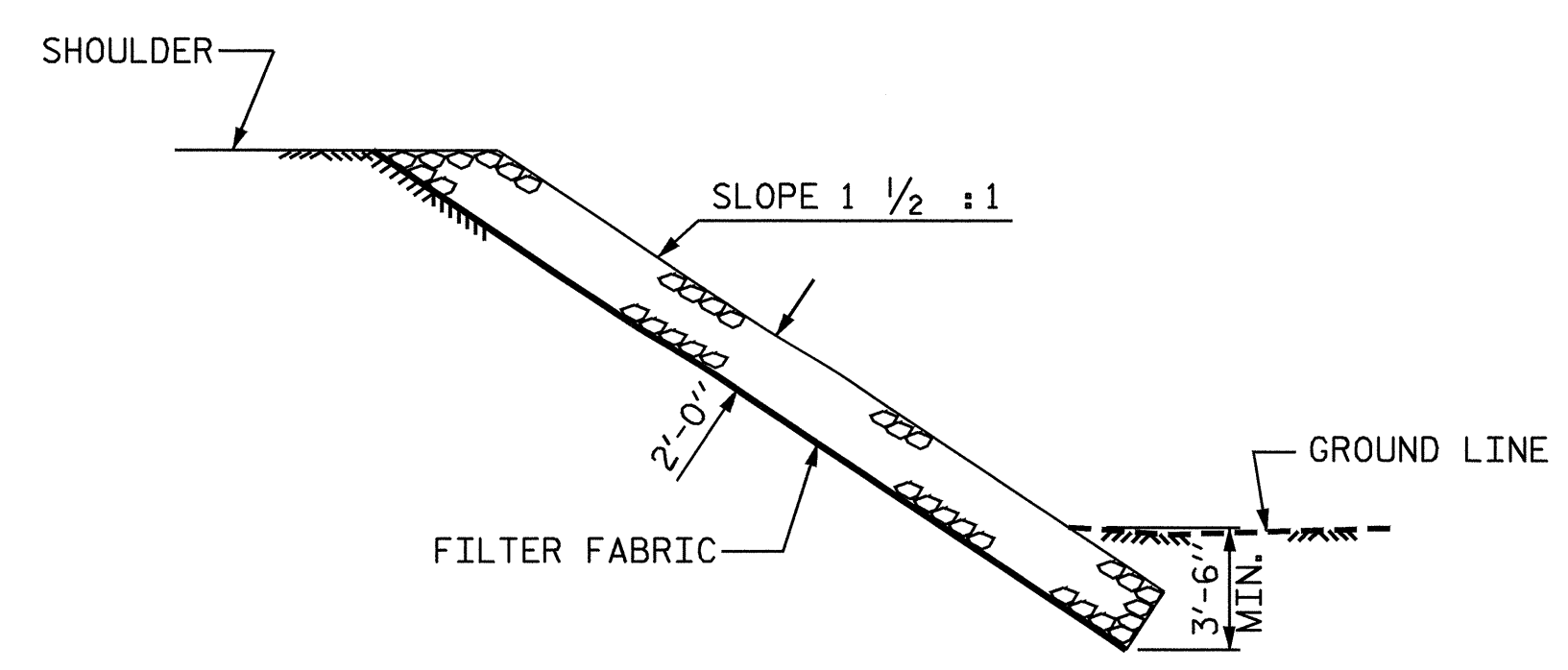
ESTIMATED QUANTITIES		
BRIDGE @ STA. 304+22.00 -L-	PLAIN RIP RAP CLASS II	FILTER FABRIC FOR DRAINAGE
	TONS	SQUARE YARDS
END BENT 1	138	153
END BENT 2	206	228



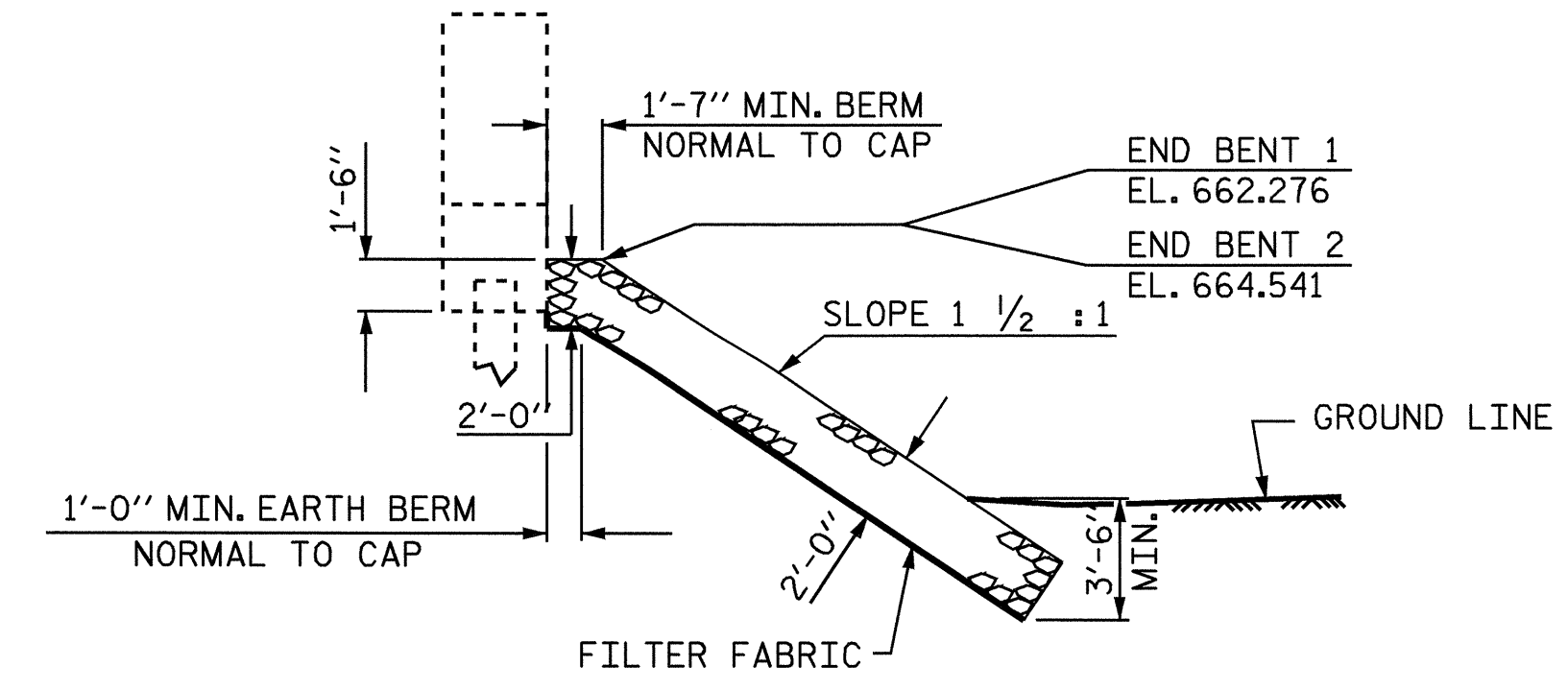
END BENT 1

END BENT 2

PLAN



SECTION H-H



SECTION C-C
BERM RIP RAPPED

PROJECT NO. R-2911D
 ROWAN COUNTY
 STATION: 304+22.00 -L-

STATE OF NORTH CAROLINA
 DEPARTMENT OF TRANSPORTATION
 RALEIGH
 STANDARD
 RIP RAP DETAILS
 (RIGHT LANE)



ASSEMBLED BY : A. K. PATEL	DATE : 05-11-04
CHECKED BY : H. A. LOCKLEAR	DATE : 05-28-04
DRAWN BY : FCJ 2/88	REV. 7/17/98 REK/RWW
CHECKED BY : ARB 8/88	REV. 8/16/99 RWW/LES
	REV. 10/17/00 RWW/LES

REVISIONS						SHEET NO.
NO.	BY:	DATE:	NO.	BY:	DATE:	S-116
1			3			TOTAL SHEETS
2			4			120