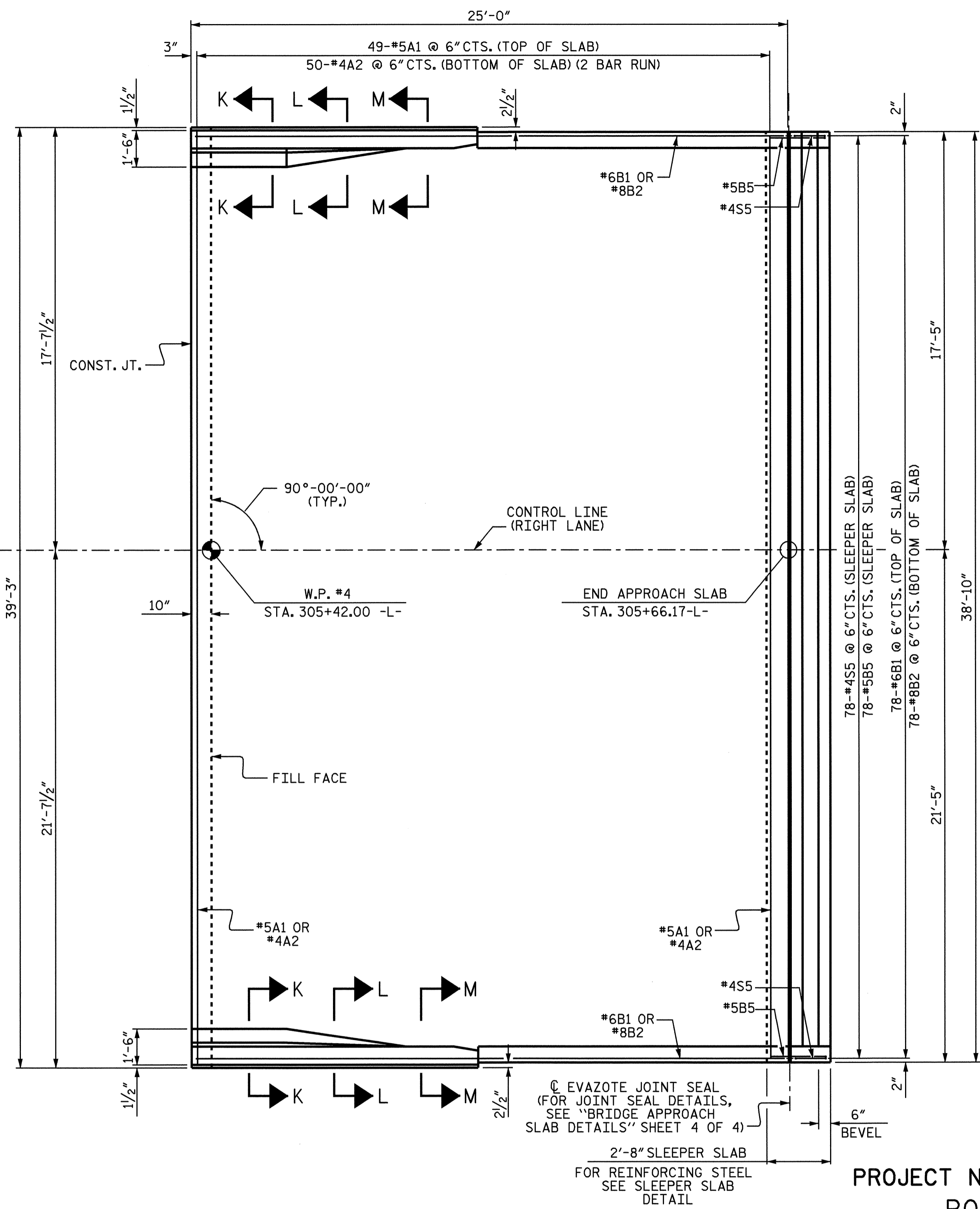
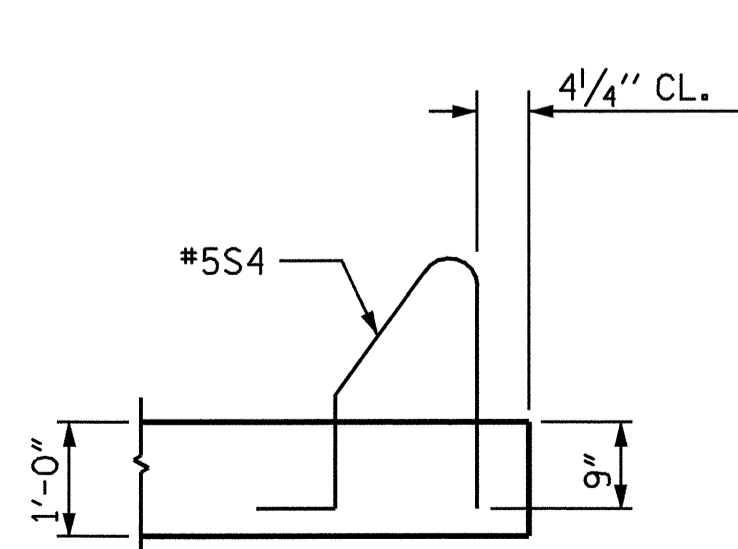


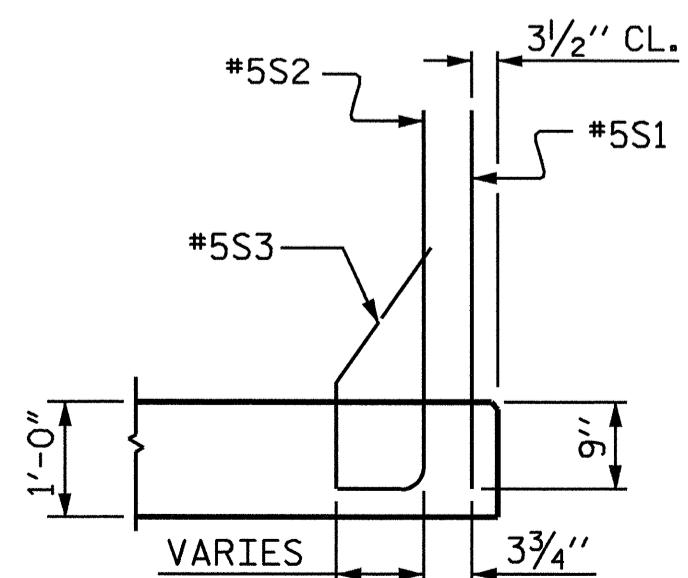
PLAN APPROACH SLAB @ END BENT 1



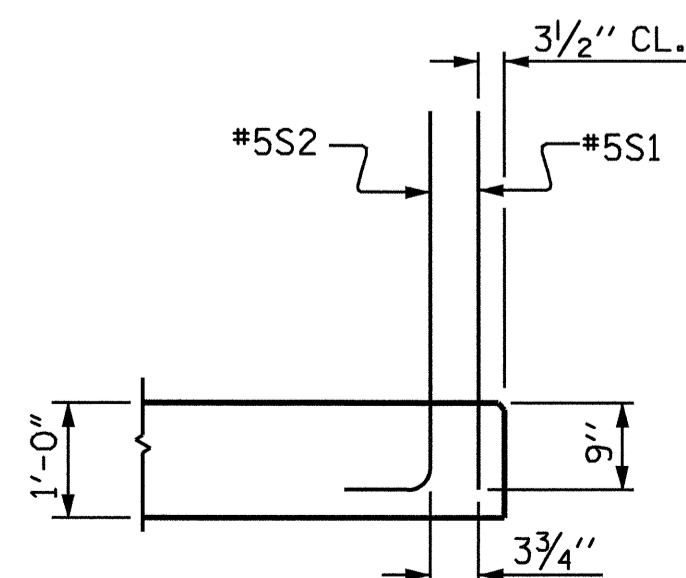
PLAN APPROACH SLAB @ END BENT 2



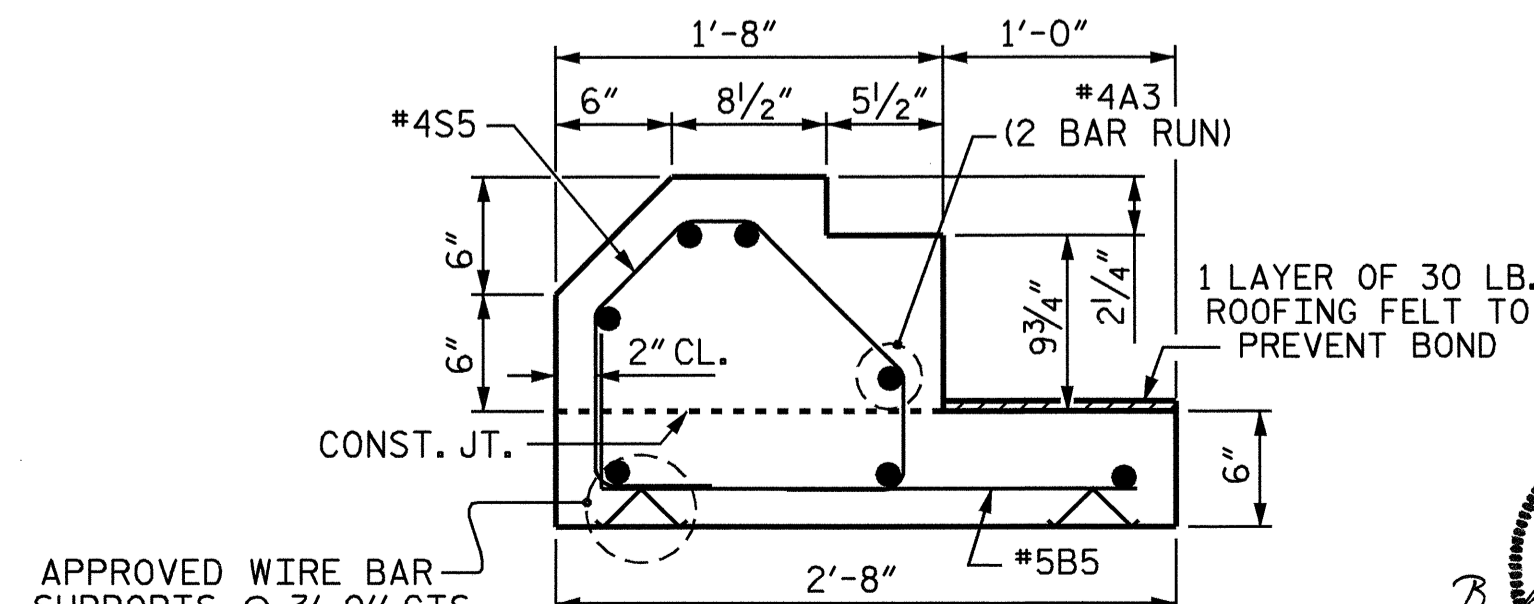
SECTION K-K



SECTION L-L



SECTION M-M



SLEEPER SLAB DETAIL

PROJECT NO. R-2911D
ROWAN COUNTY
 STATION: 304+22.00-L-

SHEET 1 OF 4

STATE OF NORTH CAROLINA
 DEPARTMENT OF TRANSPORTATION
 RALEIGH

BRIDGE APPROACH SLAB
 FOR FLEXIBLE PAVEMENT
 WITH BARRIER RAIL
 (RIGHT LANE)

REVISIONS						SHEET NO.
NO.	BY:	DATE:	NO.	BY:	DATE:	S-117
1			3			TOTAL SHEETS 120
2			4			



DRAWN BY: S.H. SOCKWELL DATE: 06/04
 CHECKED BY: B.C. HUNT DATE: 06/04