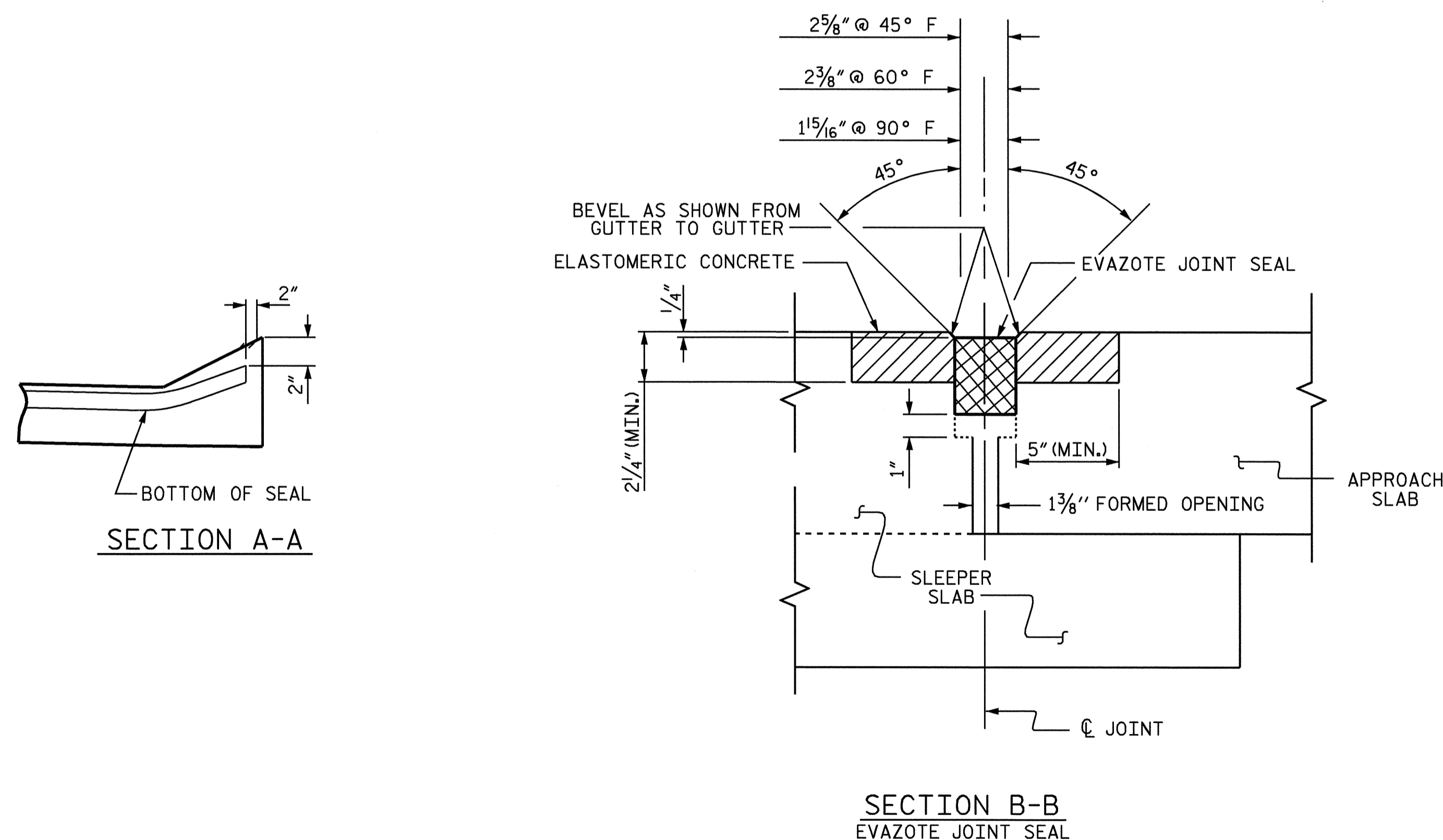
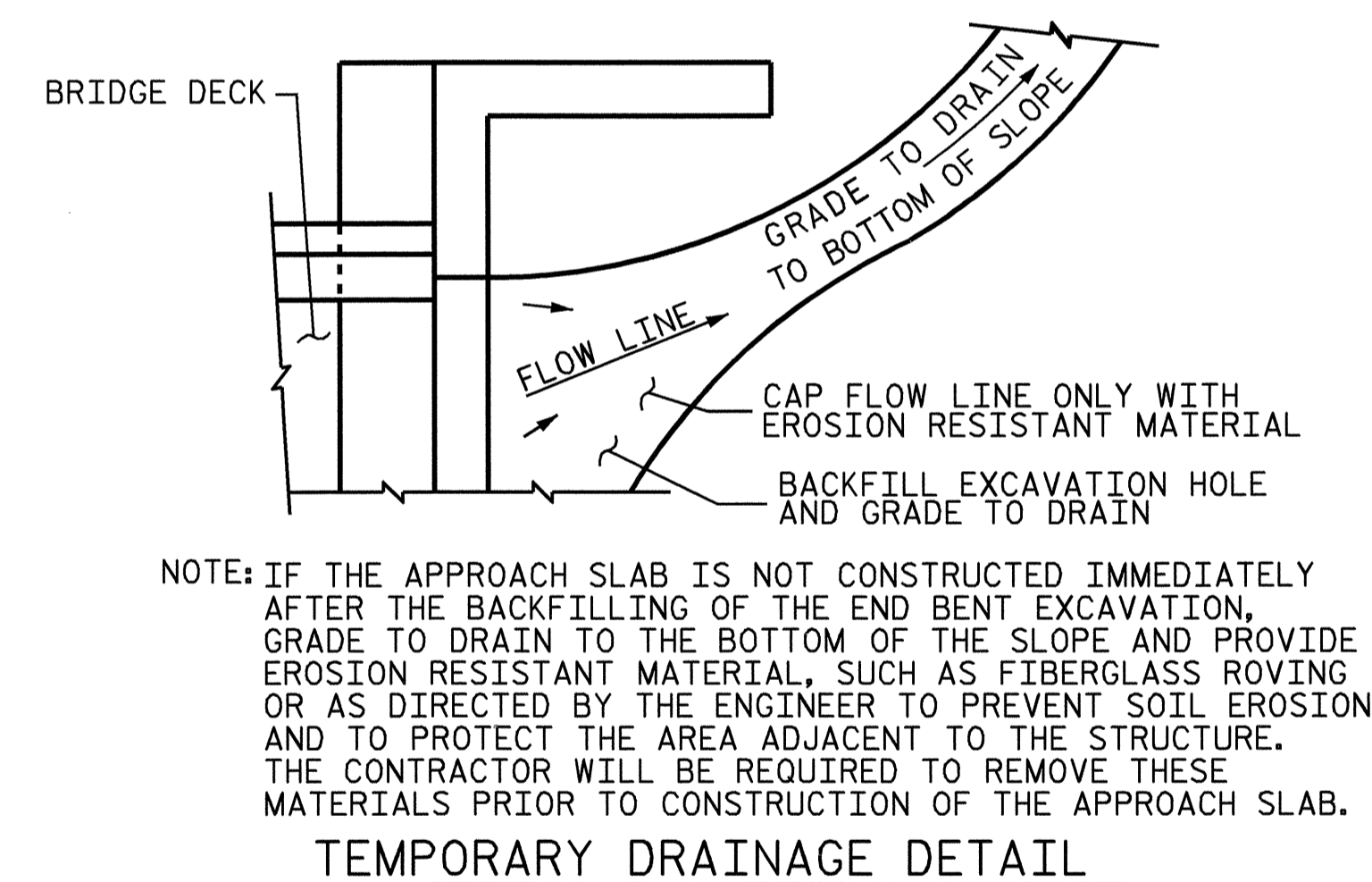


**TEMPORARY BERM AND SLOPE DRAIN DETAILS**



**TYPICAL EVAZOTE JOINT SEAL DETAILS**

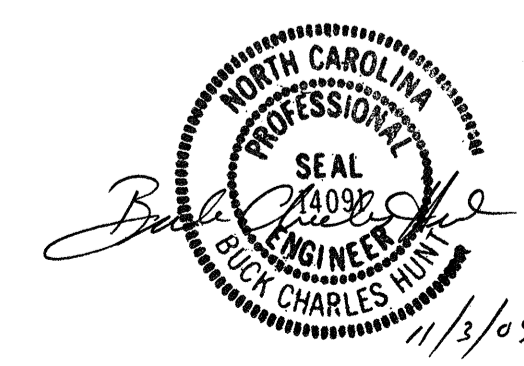


PROJECT NO. R-2911D  
ROWAN COUNTY  
 STATION: 304+22.00-L-

SHEET 4 OF 4

STATE OF NORTH CAROLINA  
 DEPARTMENT OF TRANSPORTATION  
 RALEIGH

**BRIDGE APPROACH  
 SLAB DETAILS**  
 (RIGHT LANE)



ASSEMBLED BY : S.H. SOCKWELL	DATE : 06/04
CHECKED BY : B.C. HUNT	DATE : 06/04
DRAWN BY : FCJ	11/88
CHECKED BY : ARB	11/88
REV. 8/16/99	MAB/LES
REV. 10/17/00	RWW/LES
REV. 5/7/03	RWW/JTE

REVISIONS						SHEET NO.
NO.	BY:	DATE:	NO.	BY:	DATE:	S-120
1			3			TOTAL SHEETS
2			4			120