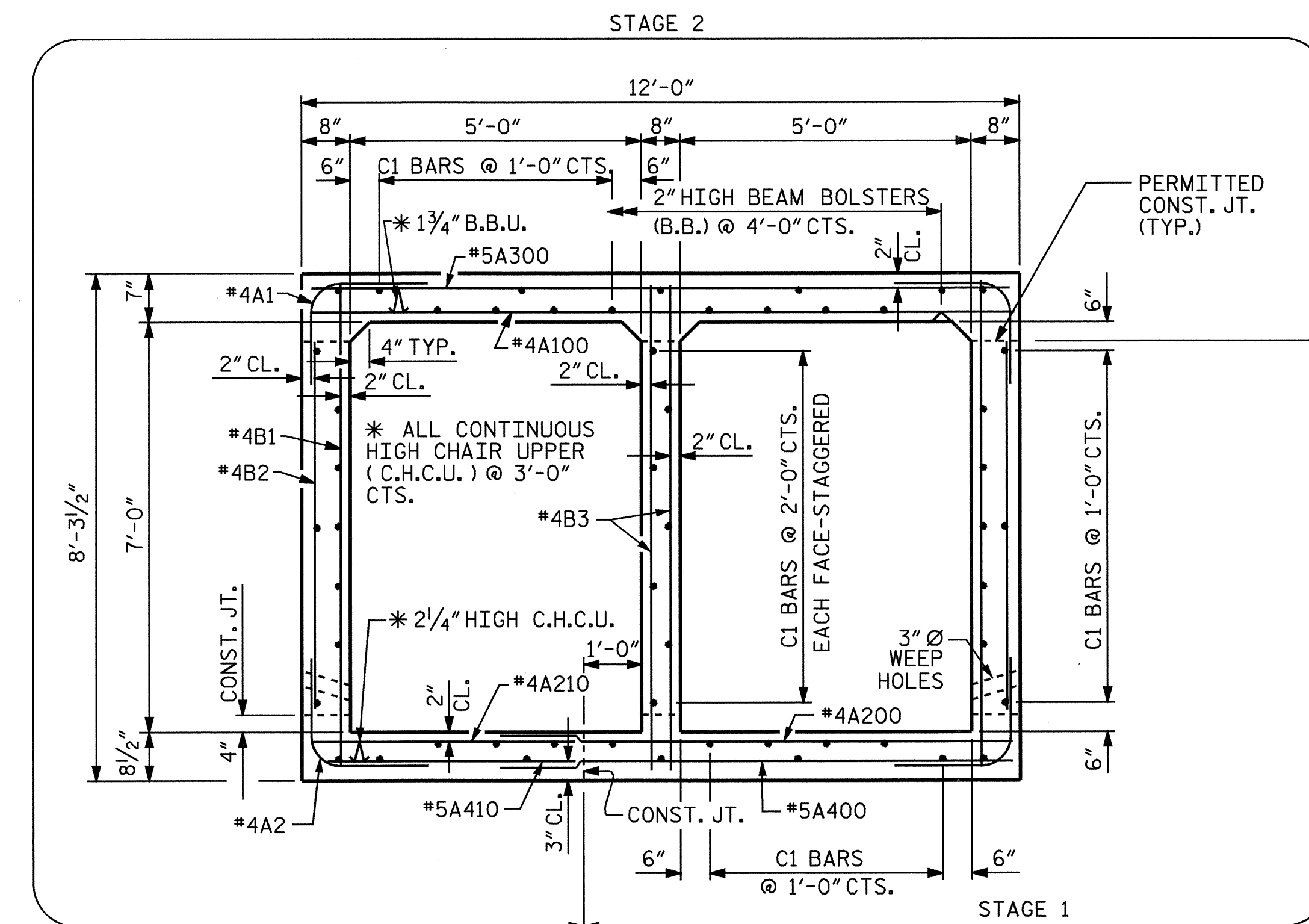
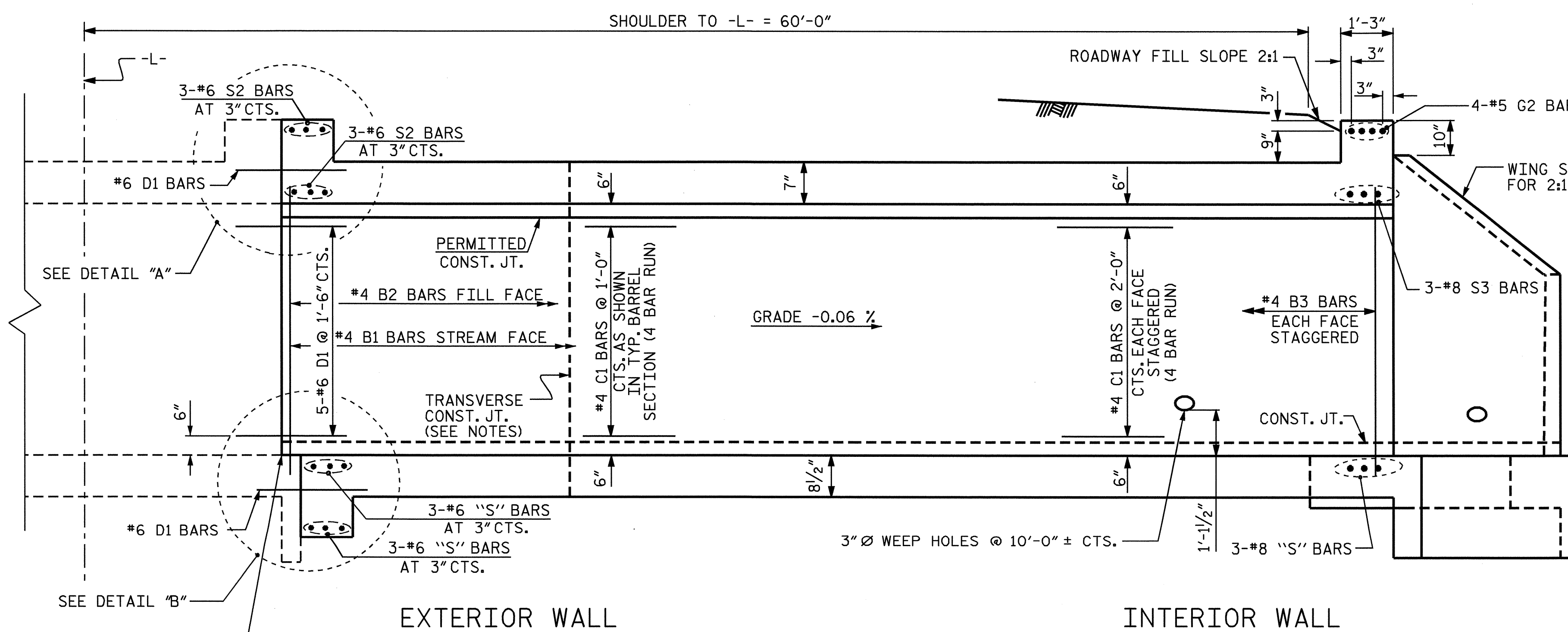


END ELEVATION NORMAL TO SKEW

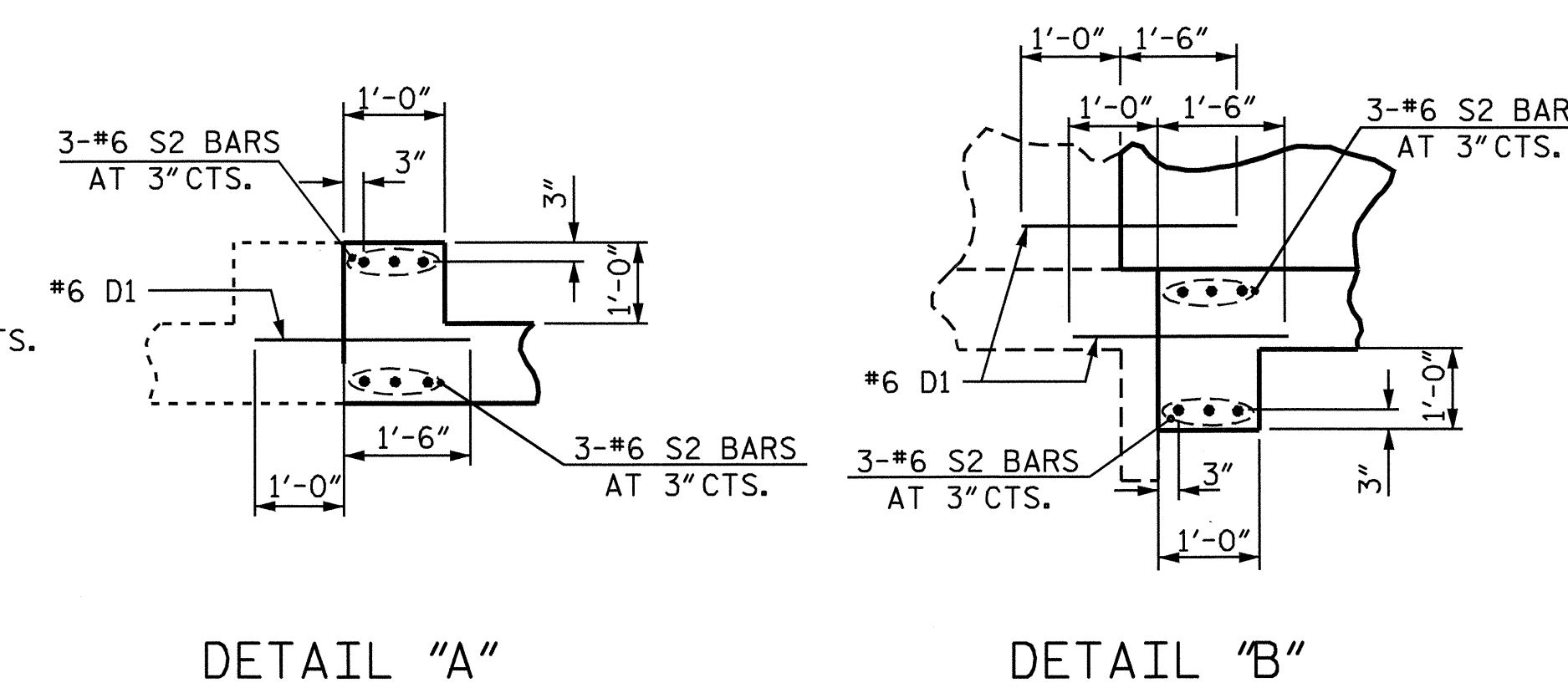


RIGHT ANGLE SECTION OF BARREL

THERE ARE 53 "C" BARS IN SECTION OF BARREL.  
(LOOKING DOWNSTREAM)



CULVERT SECTION NORMAL TO ROADWAY



DETAIL "A"

DETAIL "B"

PROJECT NO. R-2911D  
ROWAN COUNTY  
STATION: 254+51.60 -L-

SHEET 2 OF 5

STATE OF NORTH CAROLINA  
DEPARTMENT OF TRANSPORTATION  
RALEIGH  
DOUBLE 5 FT. X 7 FT.  
RCBC  
RIGHT EXTENSION  
60° SKEW



DRAWN BY: A. CHAN DATE: 2/16/04  
CHECKED BY: S.H. SOCKWELL DATE: 7/13/04

02-NOV-2004 08:51  
W:\squad1\2911d\final\2911d.sd.cu.05.dgn  
Klayne

REVISIONS						SHEET NO.	
NO.	BY:	DATE:	NO.	BY:	DATE:	C - 2	
1			3			TOTAL SHEETS	13
2			4				