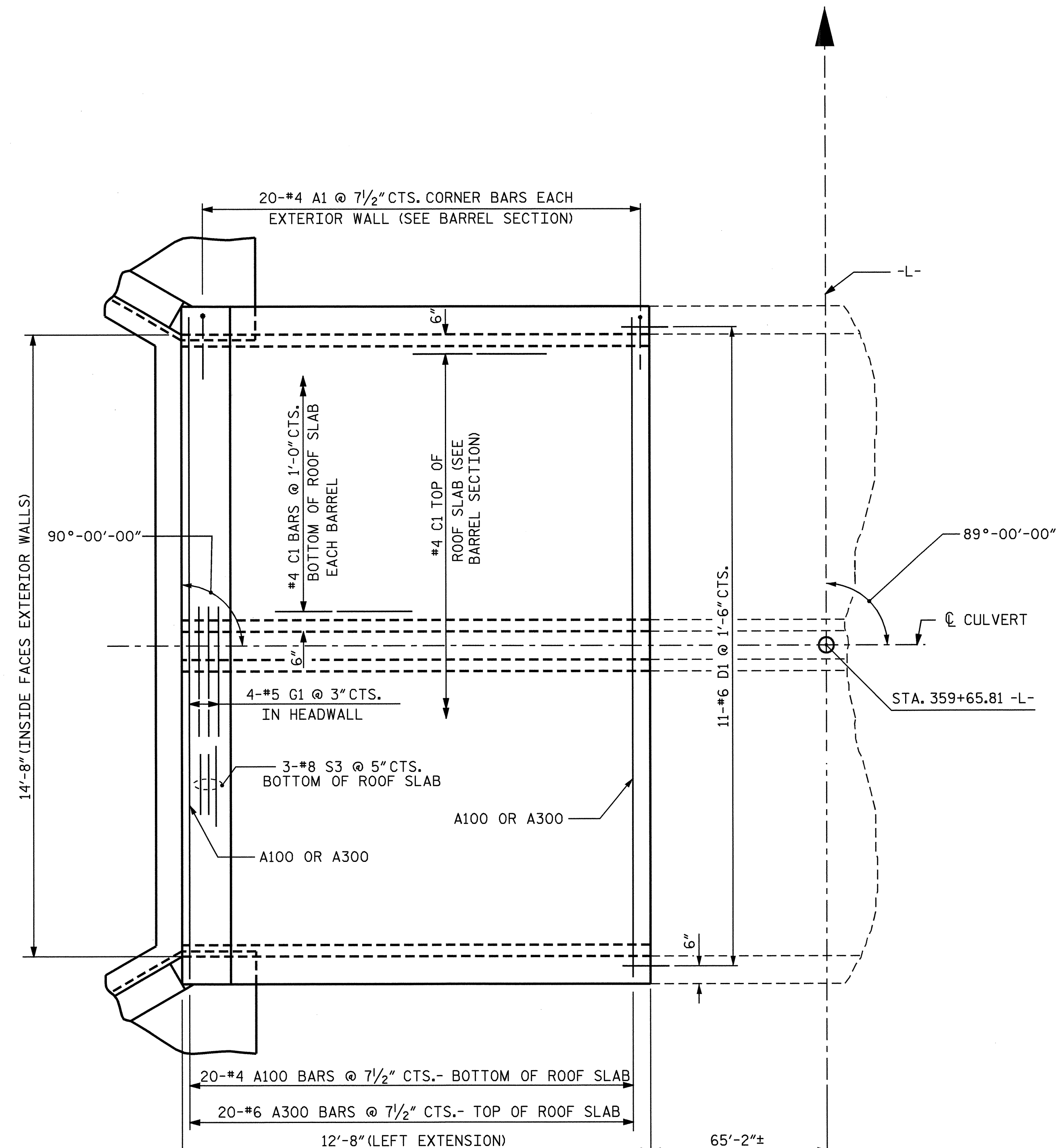


PART PLAN-FLOOR SLAB



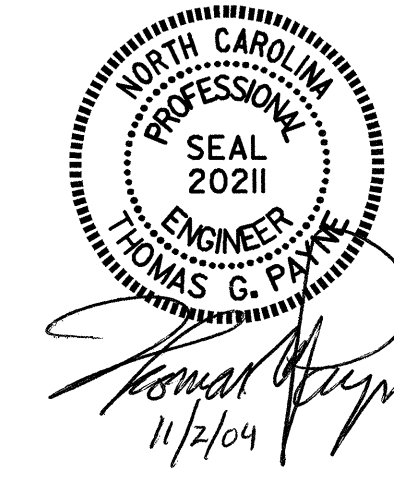
PART PLAN-ROOF SLAB

PROJECT NO. R-2911D
ROWAN COUNTY
 STATION: 359+65.81 -L-

SHEET 3 OF 8

BAR TYPE		BILL OF MATERIAL (LEFT EXTENSION)										
BAR DIMENSIONS ARE OUT TO OUT		BAR NO.	SIZE	TYPE	LENGTH	WEIGHT	BAR NO.	SIZE	TYPE	LENGTH	WEIGHT	
	A1 & A2	A1	40	#4	6	4'-1"	B1	26	#4	STR	8'-11"	155
		A2	40	#4	6	4'-1"	B2	40	#4	STR	7'-4"	206
		A100	20	#4	STR	15'-7"	B3	26	#4	STR	8'-11"	155
		A200	20	#4	STR	10'-11"	C1	64	#4	STR	12'-4"	527
		A210	20	#4	STR	6'-5"	D1	40	#6	STR	2'-6"	150
		A300	20	#6	STR	15'-7"	G1	4	#5	STR	15'-8"	131
		A400	20	#6	STR	11'-6"	S3	6	#8	STR	15'-8"	251
		A410	20	#6	STR	6'-5"	REINFORCING STEEL				= 3251 LBS	

SPLICE LENGTHS CHART		
BAR	SIZE	SPLICE LENGTH
A200	4	1'-9"
A400	6	2'-4"
B1	4	1'-9"
B3	4	1'-9"
C1	4	1'-11"



STATE OF NORTH CAROLINA
 DEPARTMENT OF TRANSPORTATION
 RALEIGH

**DOUBLE 7 FT. X 8 FT.
 RCBC
 LEFT EXTENSION
 89° SKEW**

REVISIONS						SHEET NO.
NO.	BY:	DATE:	NO.	BY:	DATE:	C-8
1			3			TOTAL SHEETS 13
2			4			

DRAWN BY: A. CHAN DATE: 2/16/04
 CHECKED BY: J.P. ADAMS DATE: 6/21/04

02-NOV-2004 08:51
 W:\squad1\2911d\final\2911D_sd.cu.06.dgn
 Klayne