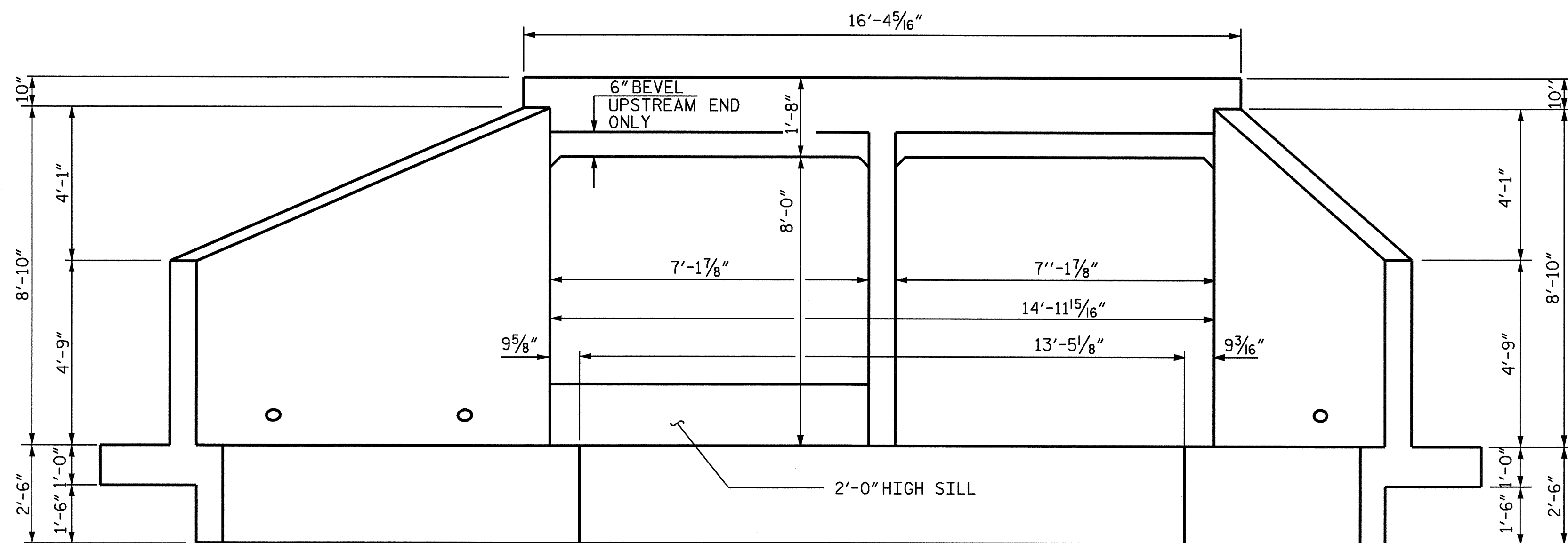
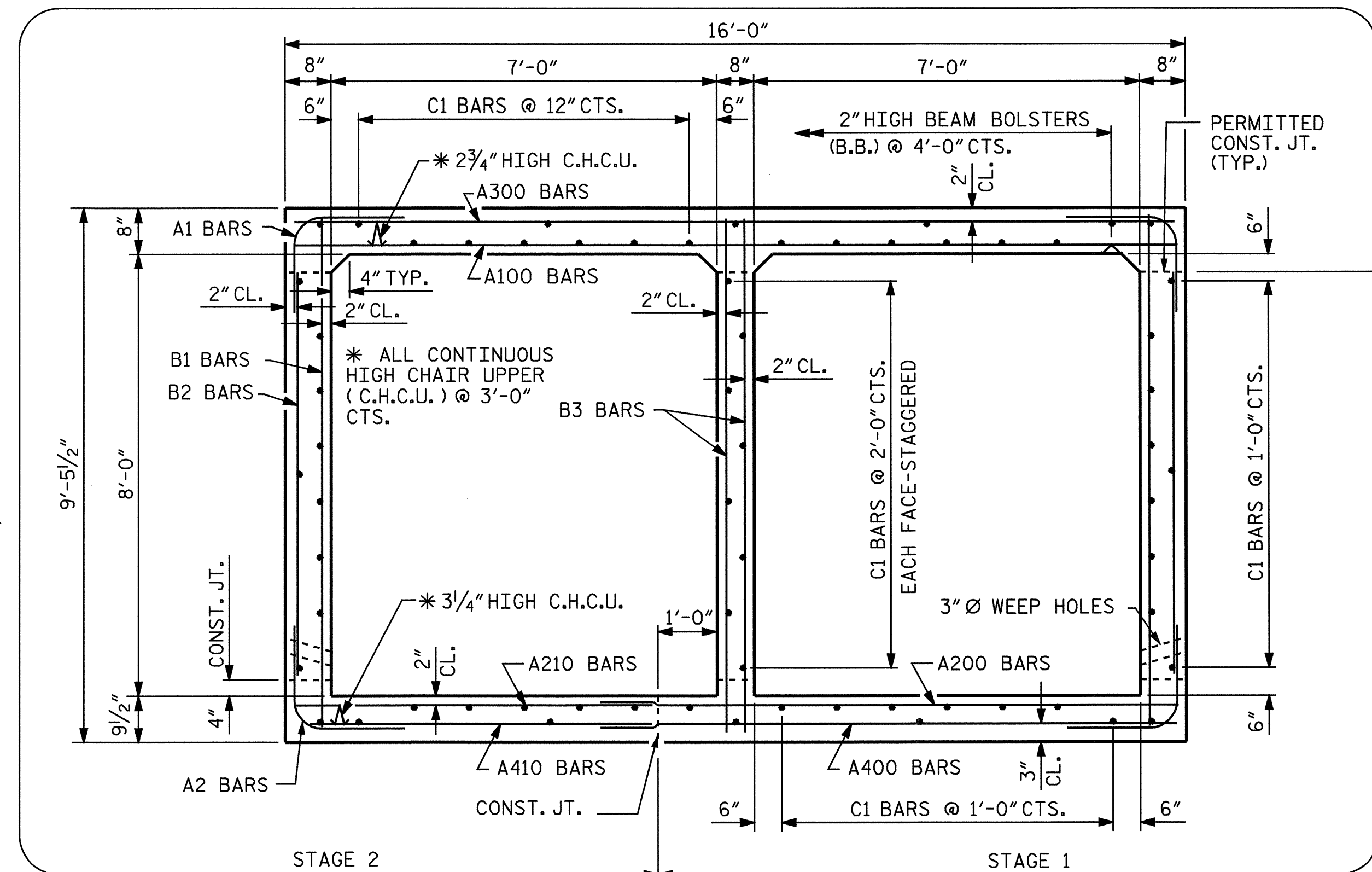


CULVERT SECTION RIGHT EXTENSION

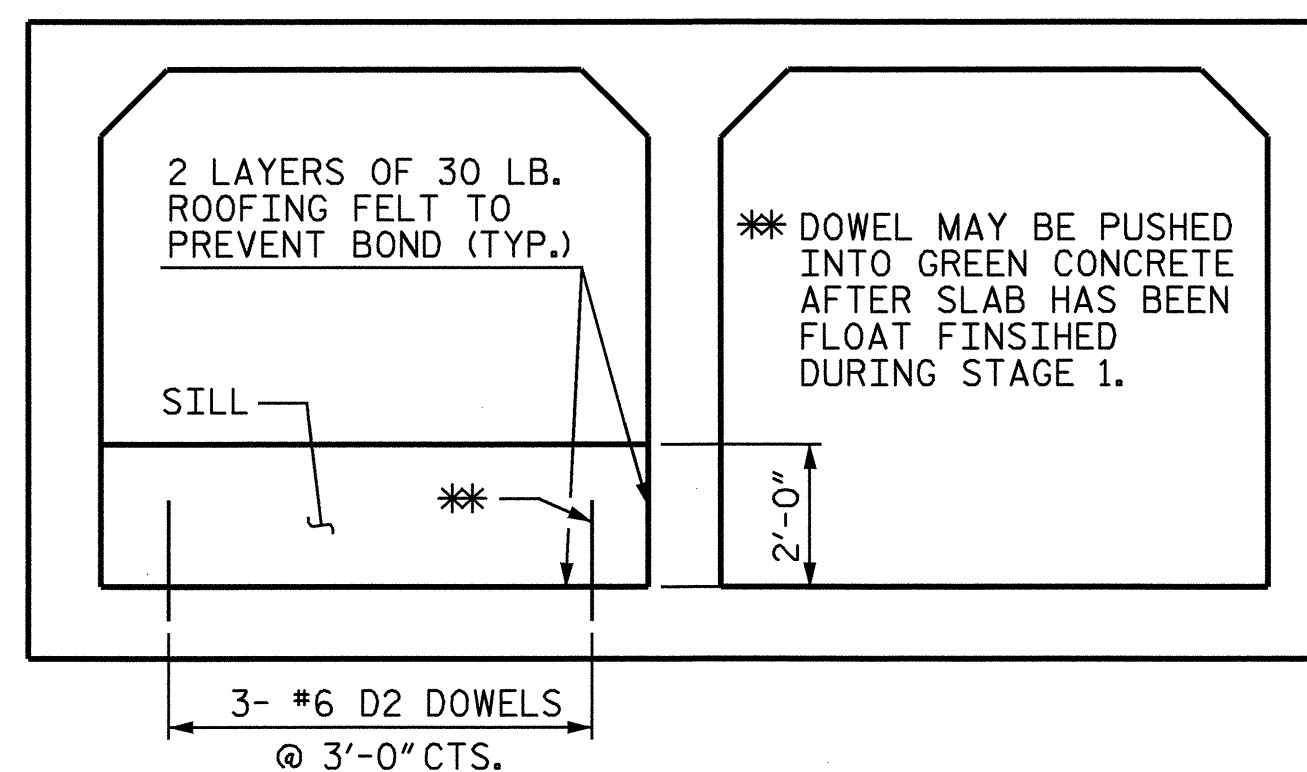


END ELEVATION NORMAL TO SKEW

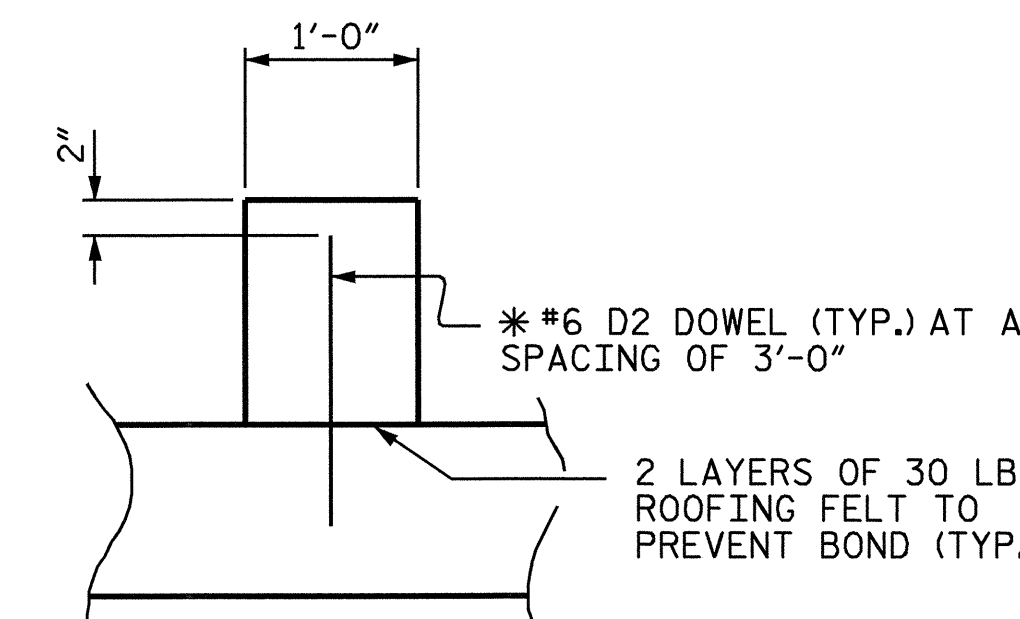


RIGHT ANGLE SECTION OF BARREL

(RIGHT EXTENSION)
THERE ARE 64 "C" BARS IN SECTION OF BARREL.
(LOOKING DOWNSTREAM)



**ELEVATION
(LOOKING DOWNSTREAM)**



* DOWELS MAY BE PUSHED INTO GREEN CONCRETE AFTER SLAB HAS BEEN FLOAT FINISHED.

SECTION THROUGH SILL

CULVERT SILL DETAILS

(INLET END ONLY)

PROJECT NO. R-2911D
ROWAN COUNTY
STATION: 359+65.81 -L-

SHEET 5 OF 8

STATE OF NORTH CAROLINA
DEPARTMENT OF TRANSPORTATION
RALEIGH

DOUBLE 7 FT. X 8 FT.
RCBC
RIGHT EXTENSION
89° SKEW



11/2/04

DRAWN BY: A. CHAN DATE: 2/16/04
CHECKED BY: J.P. ADAMS DATE: 6/21/04

02-NOV-2004 08:51
W:\squad1\2911d\final\R2911D_sd.cu.06.dgn
Klayne

REVISIONS						SHEET NO.
NO.	BY:	DATE:	NO.	BY:	DATE:	C-10
1			3			TOTAL SHEETS
2			4			13

STR #6