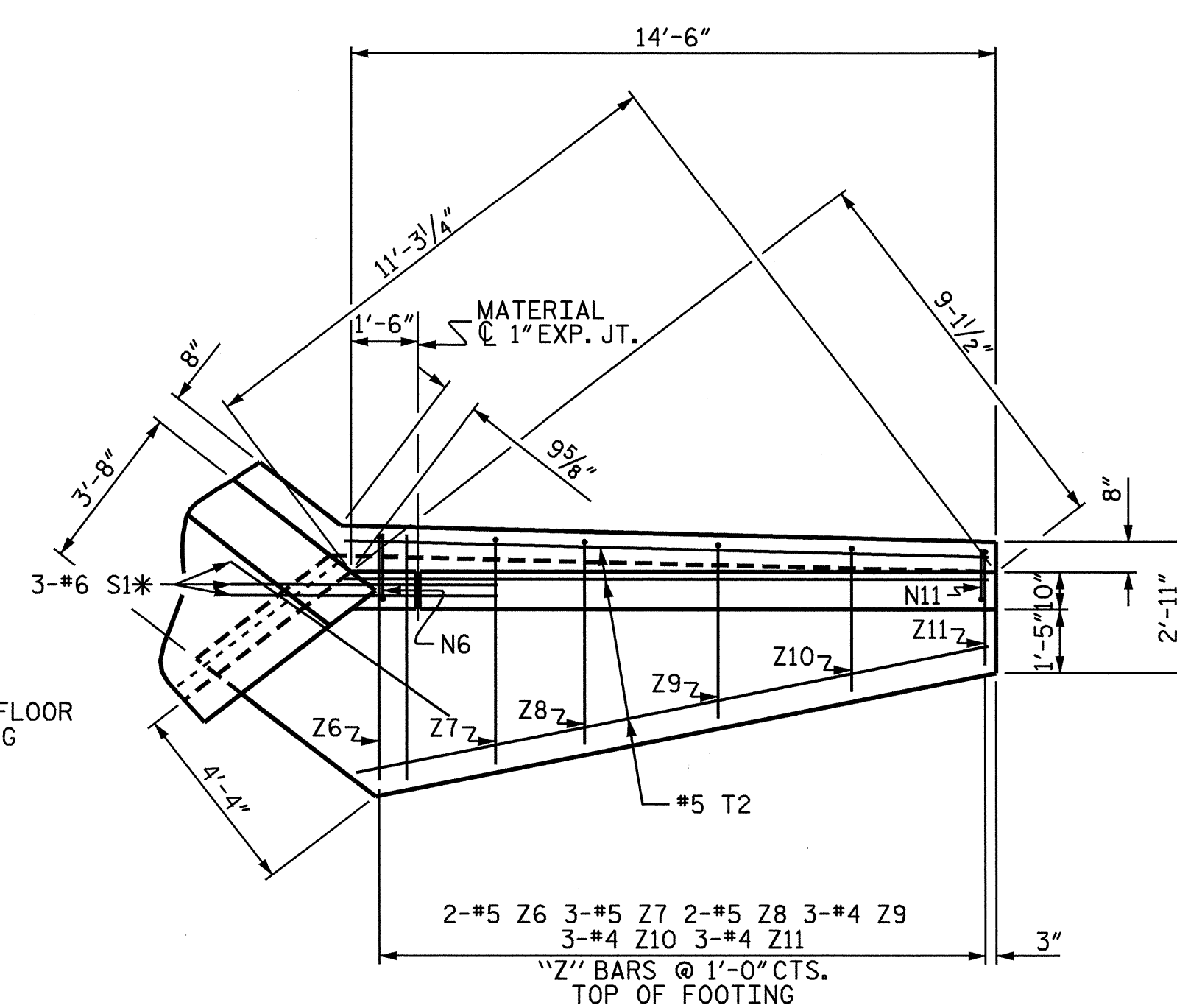
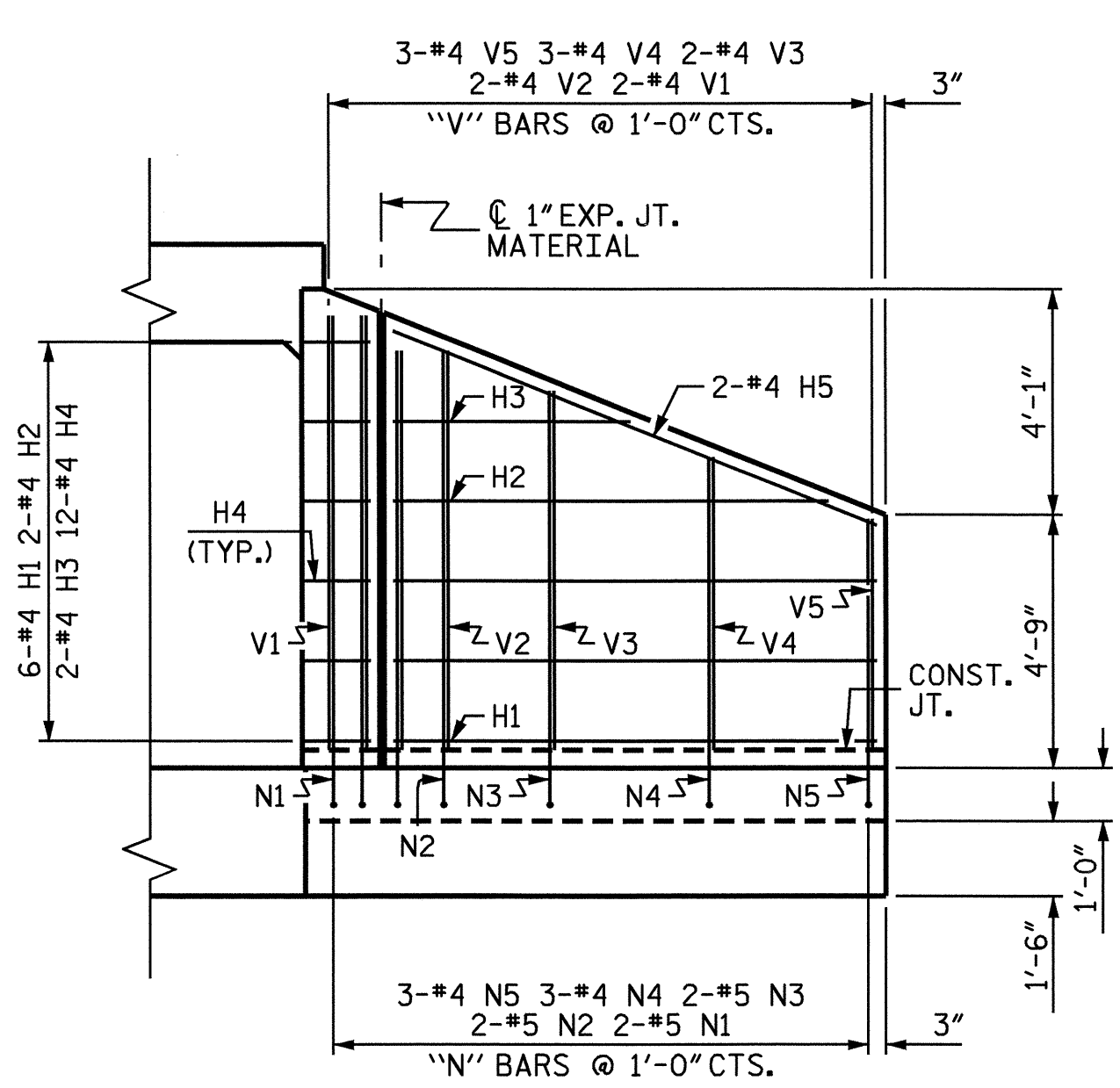


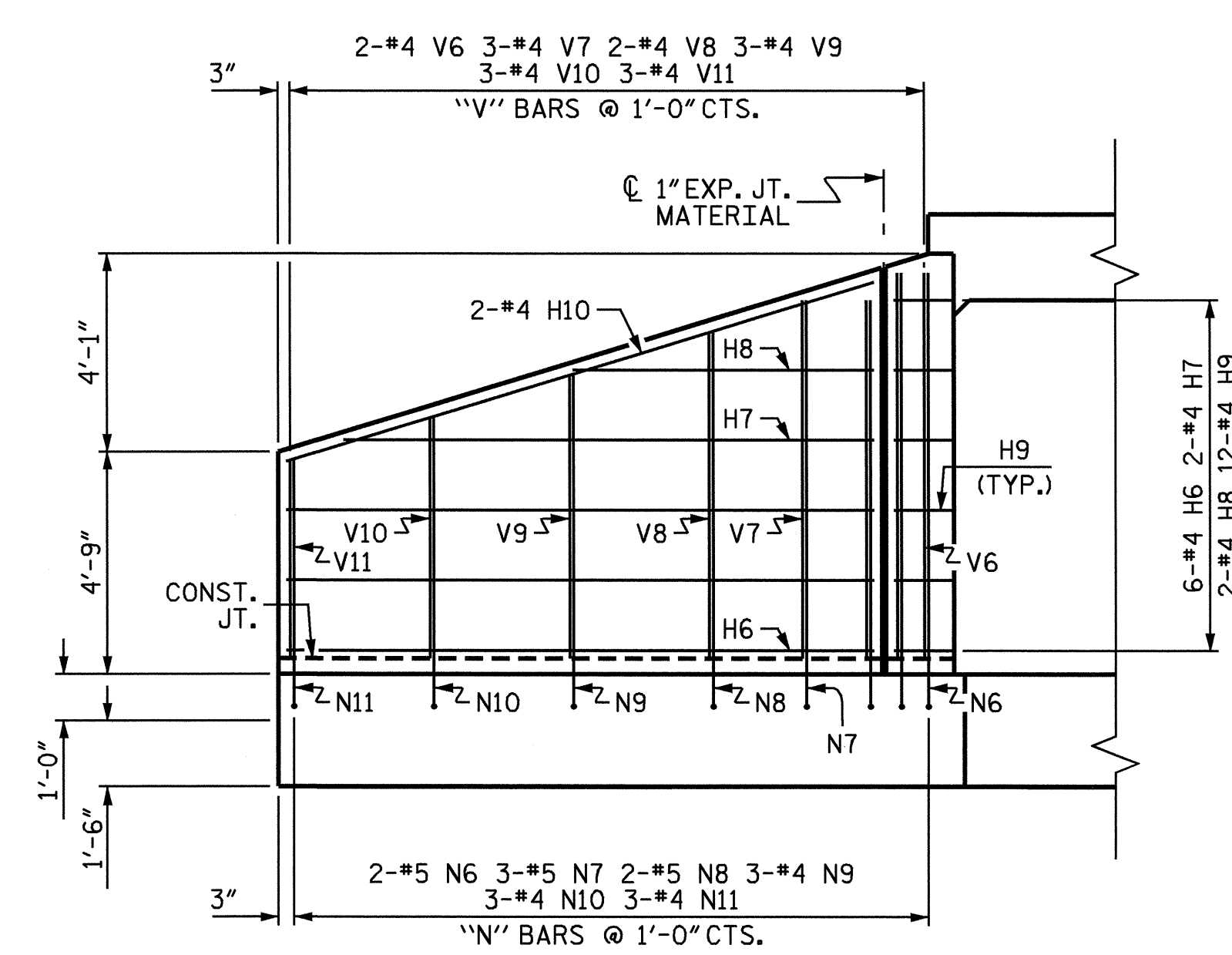
PLAN W2



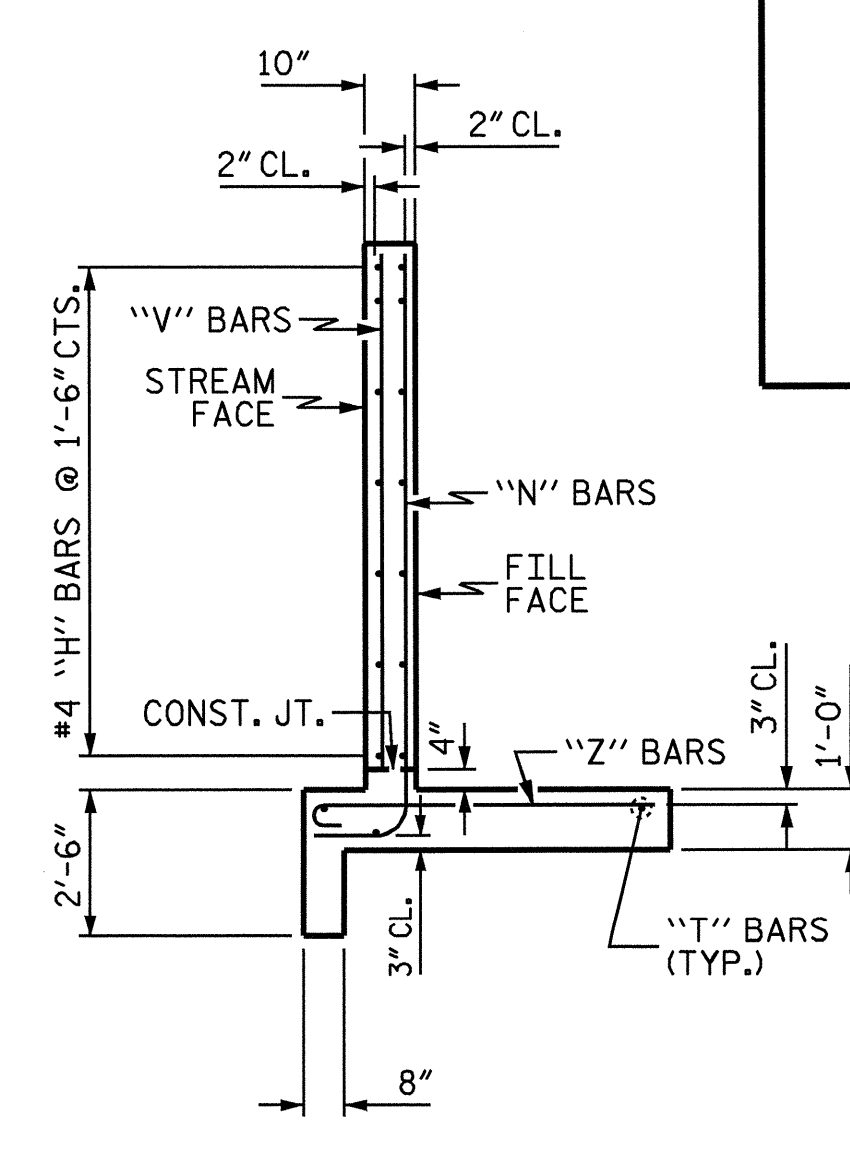
PLAN W1



ELEVATION W2



ELEVATION W1



TYPICAL WING SECTION

BAR TYPES

ALL BAR DIMENSIONS ARE OUT TO OUT.

Z1	5'-5"	7"
Z2	5'-0"	7"
Z3	4'-5"	7"
Z4	3'-6"	6"
Z5	2'-7"	6"
Z6	5'-6"	7"
Z7	5'-1"	7"
Z8	4'-7"	7"
Z9	3'-11"	6"
Z10	3'-3"	6"
Z11	2'-7"	6"

BILL OF MATERIAL

BAR NO.	SIZE	TYPE	LENGTH	WEIGHT
H1	#4	STR	9'-1"	36
H2	#4	STR	8'-2"	11
H3	#4	STR	4'-5"	6
H4	#4	1	3'-3"	26
H5	#4	STR	9'-10"	13
H6	#4	STR	12'-7"	51
H7	#4	STR	11'-4"	15
H8	#4	STR	6'-5"	8
H9	#4	2	3'-3"	26
H10	#4	STR	13'-2"	18
N1	#5	3	10'-2"	21
N2	#5	3	9'-7"	20
N3	#5	3	8'-9"	18
N4	#4	3	7'-7"	15
N5	#4	3	6'-4"	13
N6	#5	3	10'-3"	21
N7	#5	3	9'-8"	30
N8	#5	3	9'-1"	19
N9	#4	3	8'-2"	17
N10	#4	3	7'-3"	14
N11	#4	3	6'-4"	13
S1	#6	STR	6'-0"	54
T1	#5	STR	11'-0"	34
T2	#5	STR	14'-6"	46
V1	#4	STR	8'-2"	11
V2	#4	STR	7'-6"	10
V3	#4	STR	6'-9"	9
V4	#4	STR	5'-6"	11
V5	#4	STR	4'-4"	9
V6	#4	STR	8'-3"	11
V7	#4	STR	7'-8"	15
V8	#4	STR	7'-0"	10
V9	#4	STR	6'-1"	12
V10	#4	STR	5'-2"	11
V11	#4	STR	4'-3"	8
Z1	#5	4	6'-0"	13
Z2	#5	4	5'-7"	11
Z3	#5	4	5'-0"	11
Z4	#4	4	4'-0"	8
Z5	#4	4	3'-1"	6
Z6	#5	4	6'-1"	12
Z7	#5	4	5'-8"	18
Z8	#5	4	5'-2"	11
Z9	#4	4	4'-5"	9
Z10	#4	4	3'-9"	7
Z11	#4	4	3'-1"	6

REINFORCING STEEL FOR 2 WINGS 773 LBS

CLASS A CONCRETE

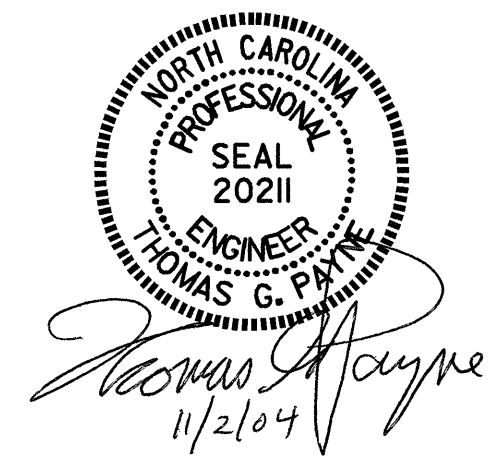
STAGE 1

1 WING	4.8	CY
PARTIAL END CURTAIN WALL	1.5	CY
TOTAL	6.3	CY

STAGE 2

1 WING	6.5	CY
1 HEADWALL	0.8	CY
PARTIAL END CURTAIN WALL	1.1	CY
TOTAL	8.4	CY

PROJECT NO. R-2911D
 ROWAN COUNTY
 STATION: 359+65.81 -L-
 SHEET 8 OF 8



STATE OF NORTH CAROLINA
 DEPARTMENT OF TRANSPORTATION
 RALEIGH

WING FOR RCBC RIGHT EXTENSION
 H= 8'-0" SLOPE= 2:1
 102° SKEW

REVISIONS						SHEET NO.	
NO.	BY:	DATE:	NO.	BY:	DATE:	C-13	
1			3			TOTAL SHEETS	13
2			4				

ASSEMBLED BY: A. CHAN DATE: 2/16/04
 CHECKED BY: J.P. ADAMS DATE: 6/21/04
 DRAWN BY: CCJ 01/00
 CHECKED BY: RWW 03/00