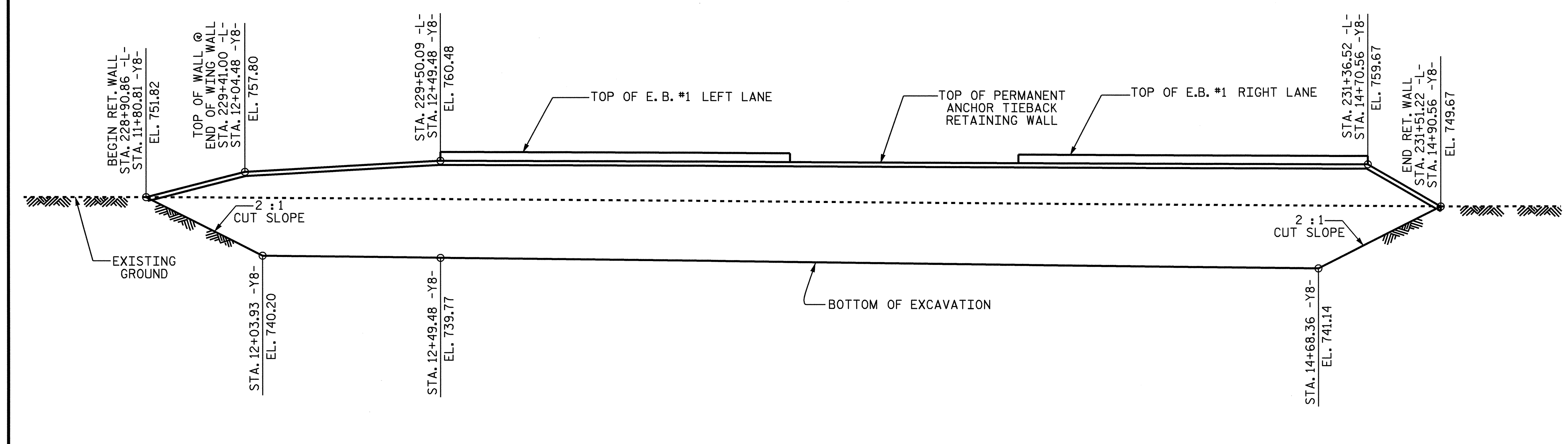
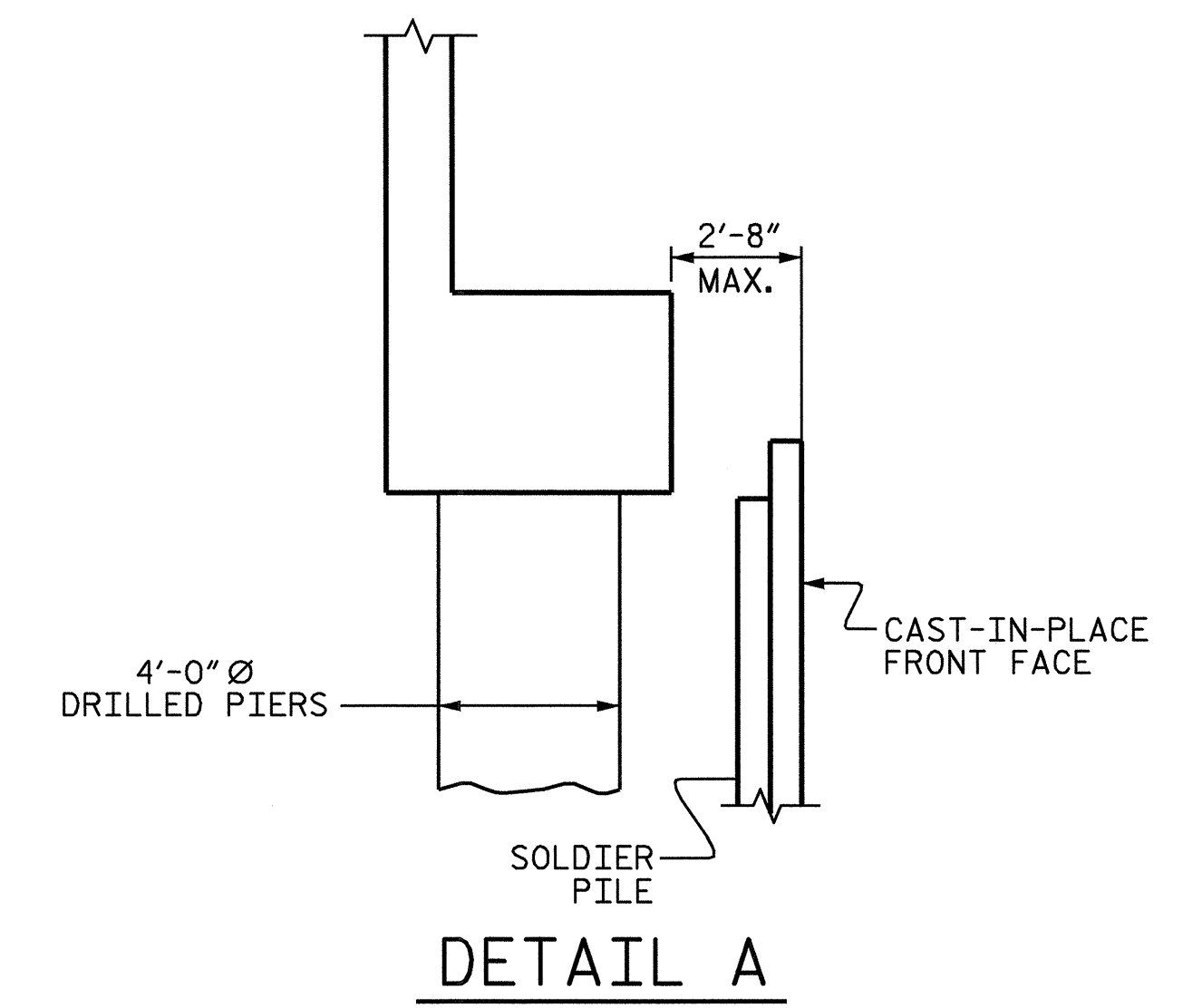


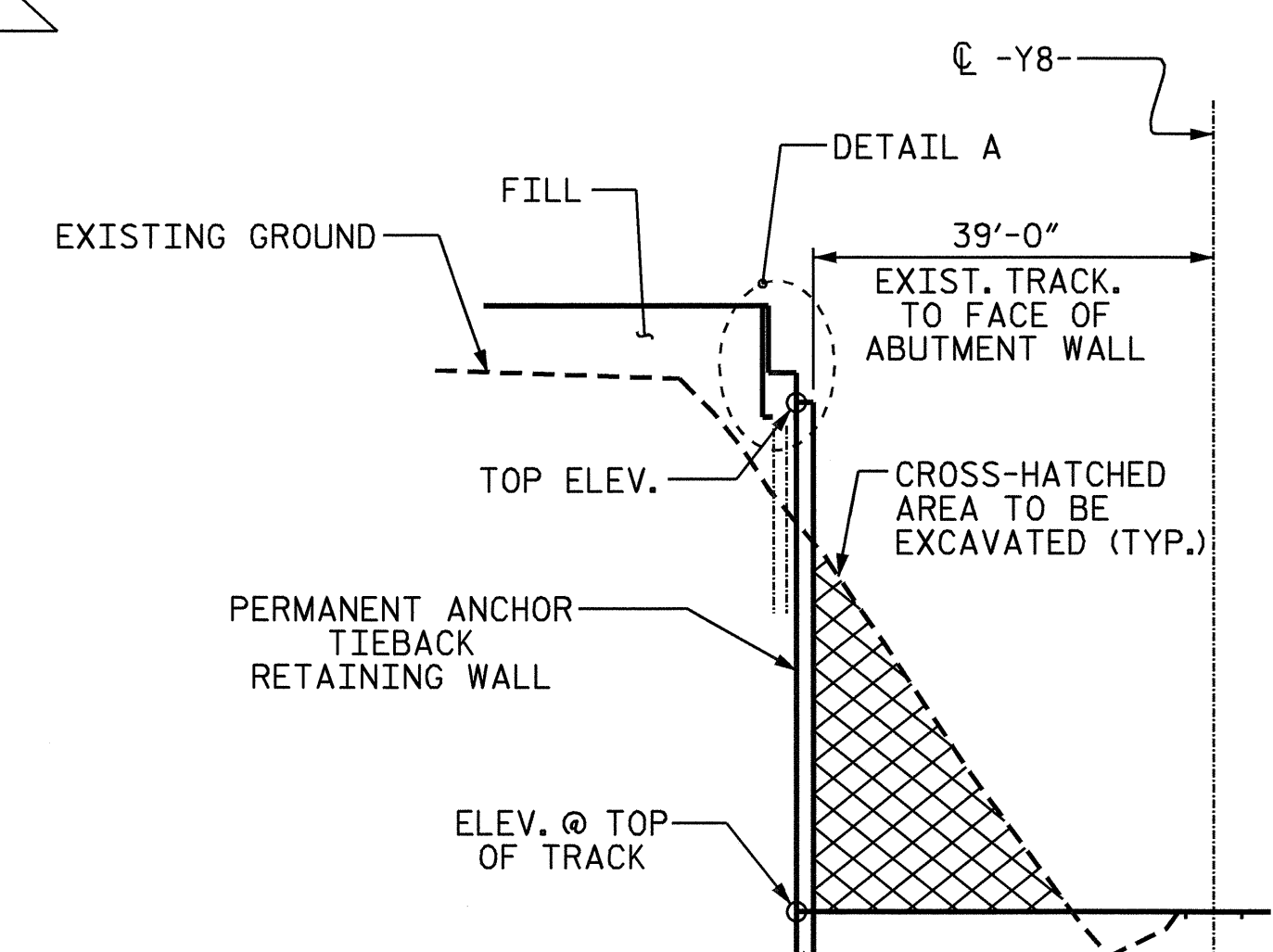
PLAN



ELEVATION

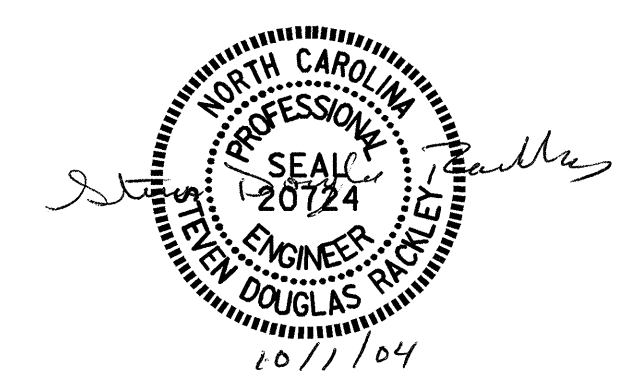
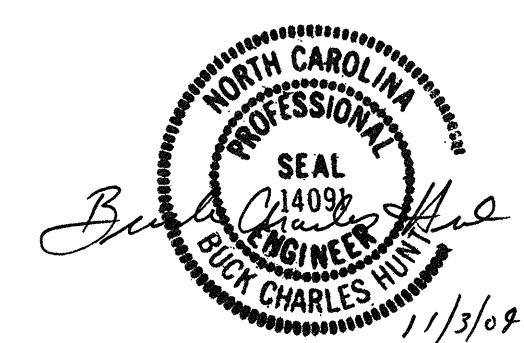


DETAIL A



RETAINING WALL TYPICAL SECTION

PROJECT NO. R-2911D  
ROWAN COUNTY  
 STATION: 231+17.87 -L-  
14+25.15 -Y8-  
 SHEET 1 OF 3



STATE OF NORTH CAROLINA  
 DEPARTMENT OF TRANSPORTATION  
 RALEIGH  
**PERMANENT ANCHOR  
 TIEBACK  
 RETAINING WALL  
 @ END BENT #1  
 WALL #1**

REVISIONS						SHEET NO.	
NO.	BY:	DATE:	NO.	BY:	DATE:	W-1	
1			3			TOTAL	3
2			4			SHEETS	

DRAWN BY : A. K. PATEL DATE : 06-09-04  
 CHECKED BY : S. RACKLEY DATE : 06-11-04

01-OCT-2004 12:02  
 W:\squads\R2911D\FINAL\_PLANS\WALLS\R2911D\_SD\_RWE\_01.dgn  
 srackley