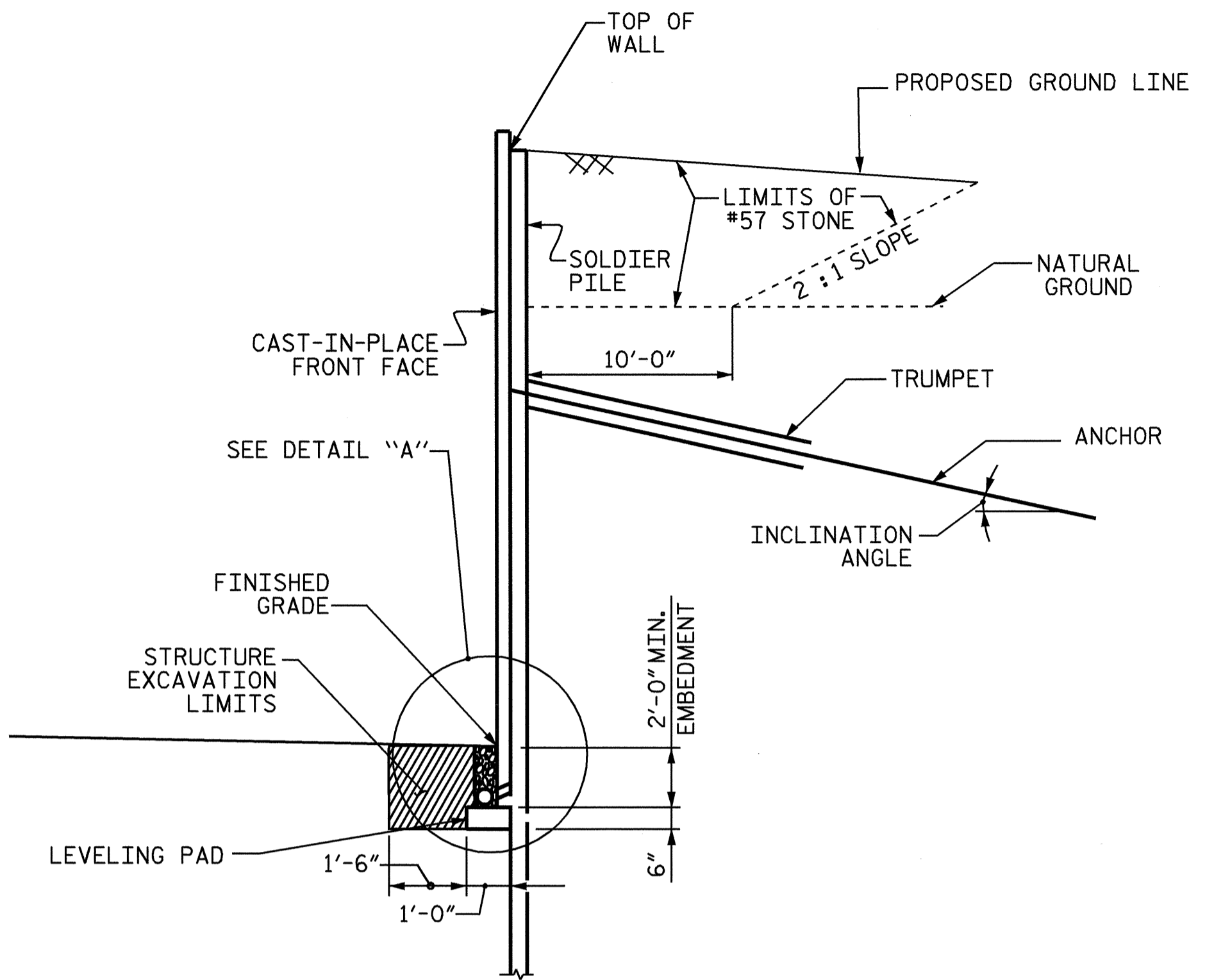
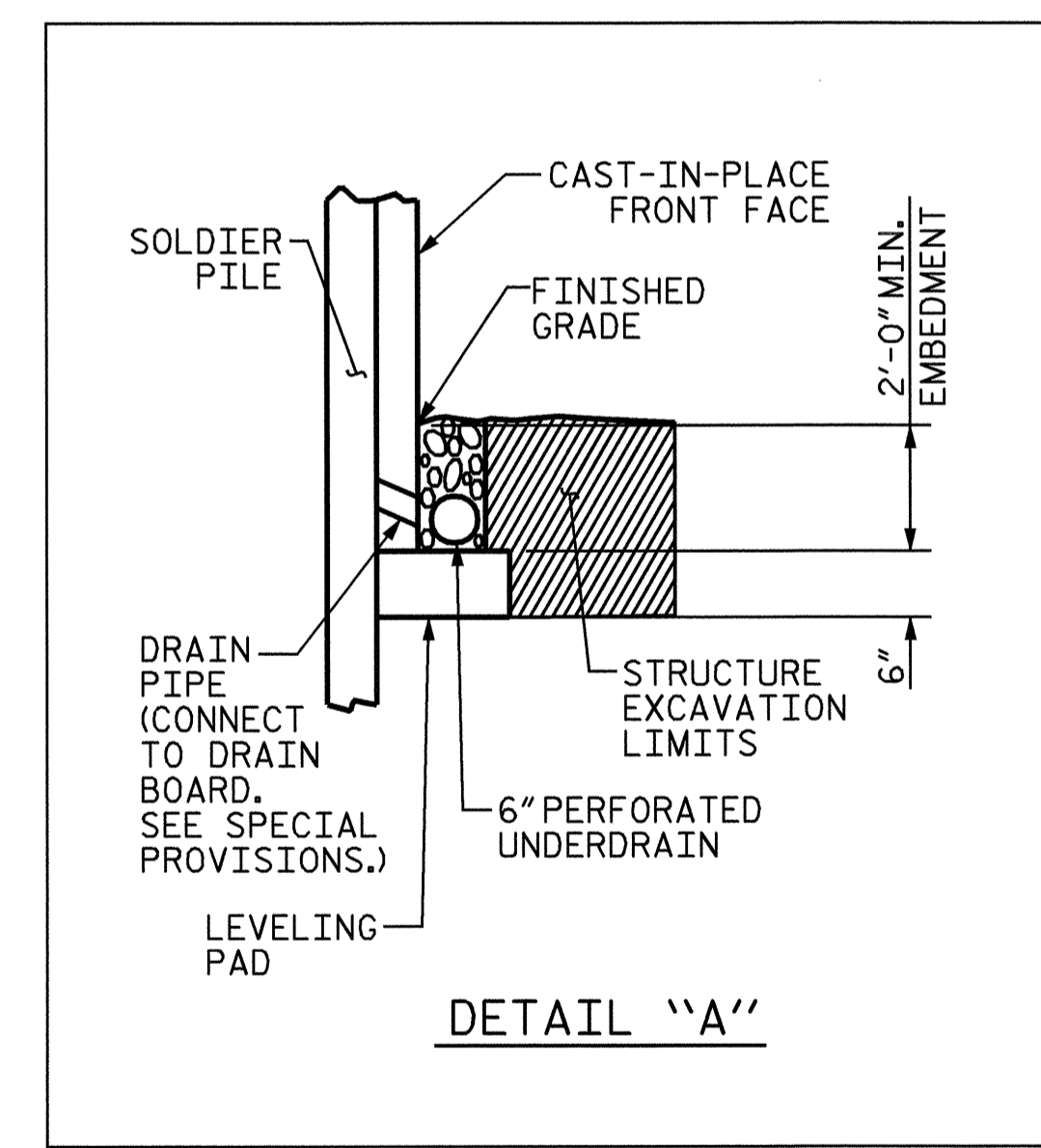


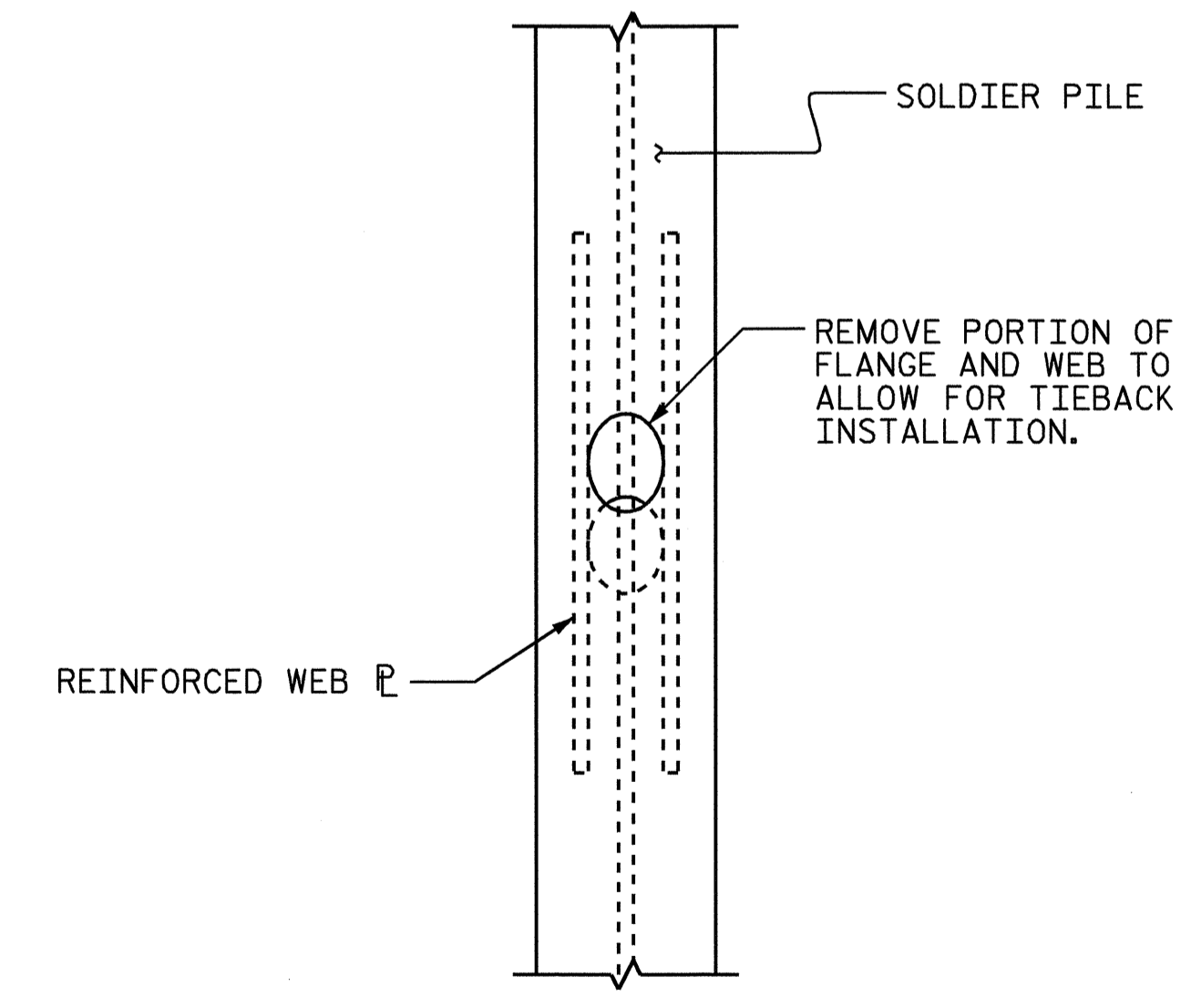
SECTION A-A



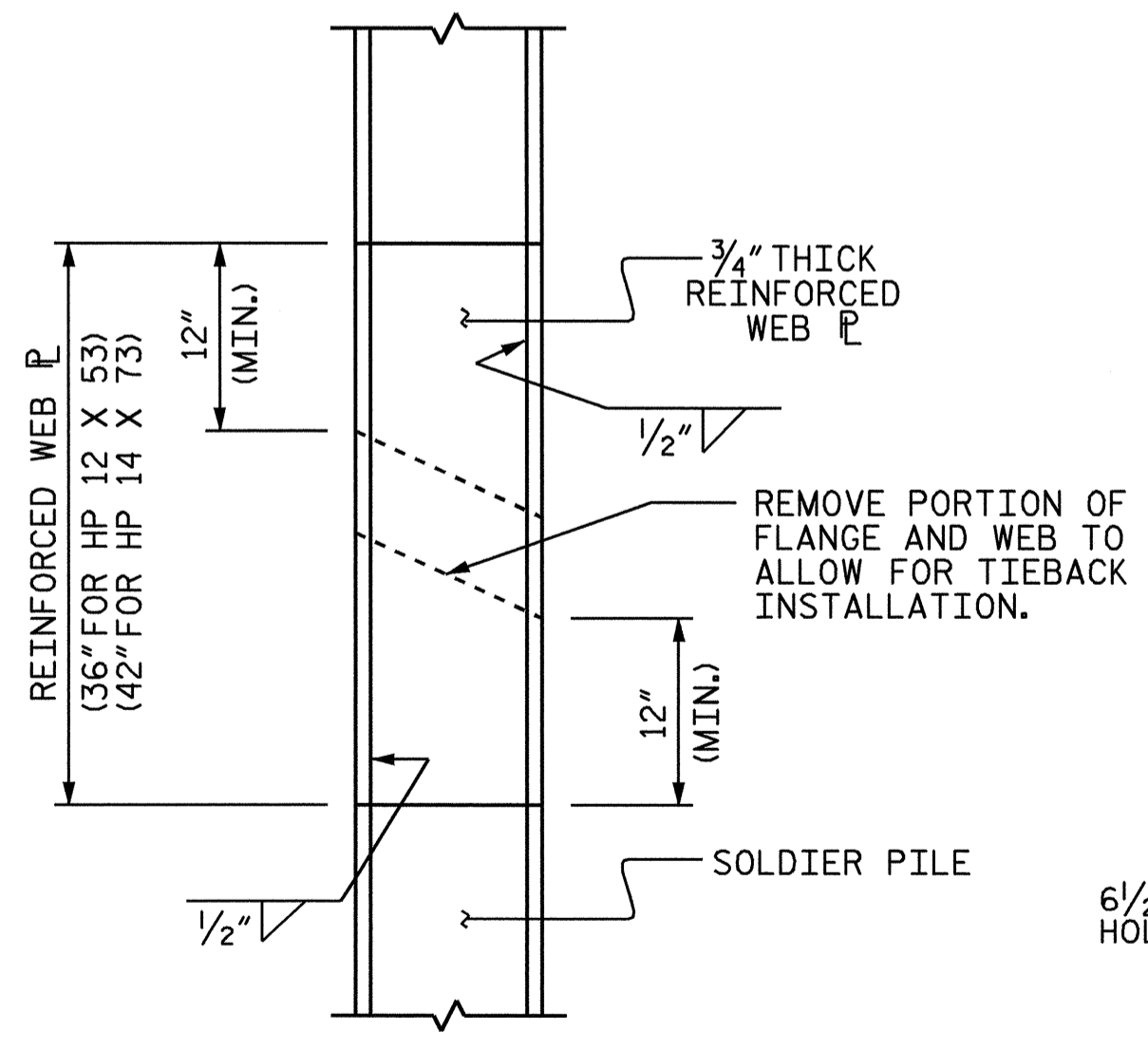
SECTION B-B



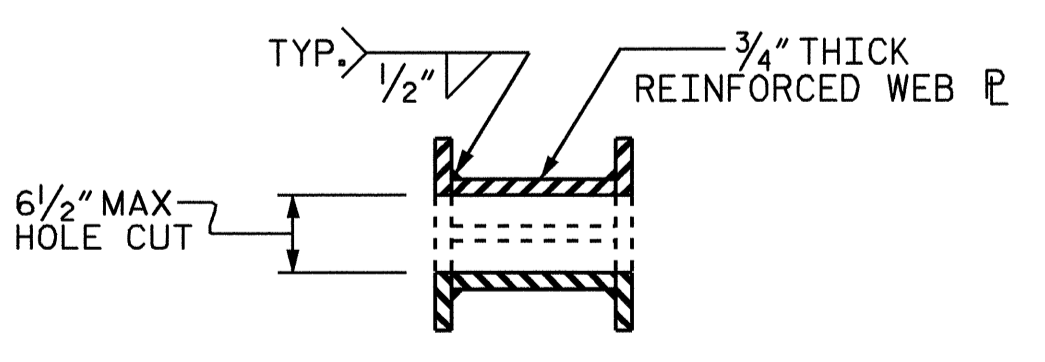
DETAIL "A"



FRONT VIEW



SIDE VIEW



TOP VIEW

THROUGH PILE DETAILS
(FOR TIEBACK INSTALLATION)

NOTES

FOR DESIGN CRITERIA AND DETAILS, SEE PERMANENT ANCHOR TIEBACK RETAINING WALL SPECIAL PROVISIONS.

PLANS, WORKING DRAWINGS, AND DESIGN CALCULATIONS SHALL BE SUBMITTED BY THE CONTRACTOR TO THE ENGINEER FOR REVIEW AND APPROVAL. SEE SPECIAL PROVISIONS.

CONCRETE LEVELING PADS FOR THE CAST-IN-PLACE WALL FACING AND THE DRAINAGE DITCHES BEHIND THE WALLS WILL BE CONSIDERED INCIDENTAL TO THE COST OF THE WALLS.

PLANS SUBMITTED FOR REVIEW SHALL INCLUDE THE FOLLOWING: PLAN VIEW, ELEVATION VIEW, TYPICAL SECTIONS, CAST-IN-PLACE FACING DETAILS, OBSTRUCTION DETAILS AND DRAINAGE DETAILS.

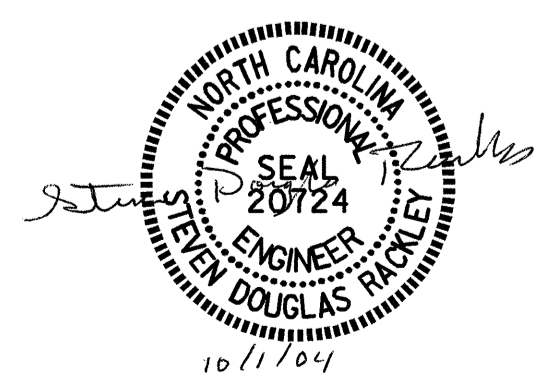
THE PERMANENT ANCHOR TIEBACK RETAINING WALLS SHALL BE DESIGNED WITH THE FOLLOWING SOIL PARAMETERS:
 FRICTION ANGLE $\phi = 35^\circ$
 COHESION $c = 0.0$ PSF
 UNIT WEIGHT OF SOIL = 120 PCF

FOR CONFLICTS WITH DRILLED SHAFTS AND PILES IN THE END BENT WINGS SEE PLAN VIEWS ON THE END BENT SHEETS AND FOUNDATION LAYOUT SHEETS.

BOTTOM OF WALL ELEVATIONS ARE FINISHED GRADE ELEVATIONS AND THESE ELEVATIONS DO NOT INCLUDE EMBEDMENT FOR THE PERMANENT ANCHOR TIEBACK RETAINING WALL.

BILL OF MATERIAL	
PERMANENT ANCHOR WALL #1	LUMPSUM
PERMANENT ANCHOR WALL #2	LUMPSUM
#57 STONE BACKFILL FOR PERMANENT ANCHOR WALL AT END BENT #1	1900 C.Y.
#57 STONE BACKFILL FOR PERMANENT ANCHOR WALL AT END BENT #2	1963 C.Y.
TOTAL #57 STONE BACKFILL FOR PERMANENT ANCHOR WALL #1 AND WALL #2	3863 C.Y.

PROJECT NO. R-2911D
ROWAN COUNTY
 STATION: 231+17.87 -L-
14+25.15 -Y8-
 SHEET 3 OF 3



STATE OF NORTH CAROLINA
 DEPARTMENT OF TRANSPORTATION
 RALEIGH
PERMANENT ANCHOR TIEBACK RETAINING WALL DETAILS FOR WALL #1 AND #2

DRAWN BY: A. K. PATEL DATE: 8-23-04
 CHECKED BY: S. D. RACKLEY DATE: 8-26-04

REVISIONS						SHEET NO.
NO.	BY:	DATE:	NO.	BY:	DATE:	W-3
1			3			TOTAL SHEETS
2			4			3