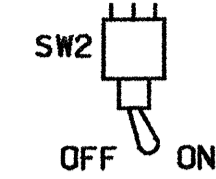


**EDI MODEL 2010ECL CONFLICT MONITOR**

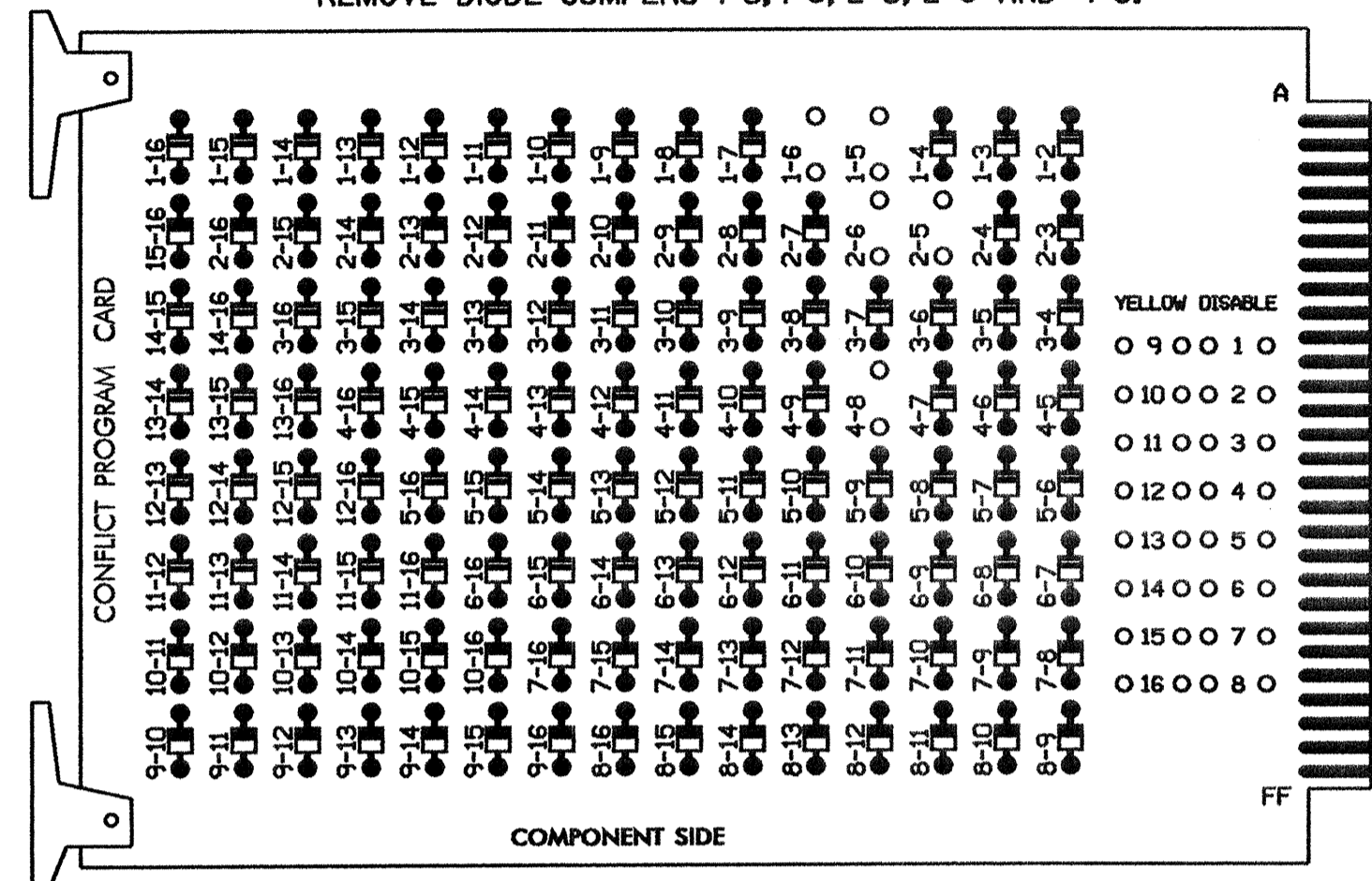
**PROGRAMMING DETAIL**

WD ENABLE



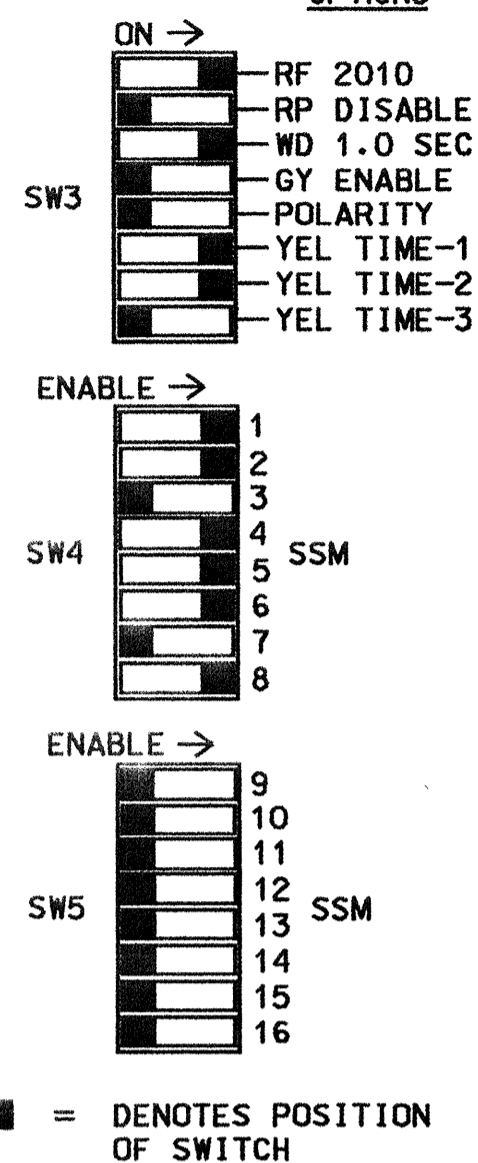
(remove jumpers and set switches as shown)

REMOVE DIODE JUMPERS 1-5, 1-6, 2-5, 2-6 AND 4-8.



REMOVE JUMPERS AS SHOWN

**OPTIONS**



**NOTES:**

- CARD IS PROVIDED WITH ALL DIODE JUMPERS IN PLACE. REMOVAL OF ANY JUMPER ALLOWS ITS CHANNELS TO RUN CONCURRENTLY.
- MAKE SURE JUMPERS SEL1-SEL5 ARE PRESENT ON THE MONITOR BOARD.

**NOTES**

- TO PREVENT "FLASH-CONFLICT" PROBLEMS, INSERT RED FLASH PROGRAM BLOCKS FOR ALL UNUSED VEHICLE LOAD SWITCHES IN THE OUTPUT FILE. THE INSTALLER SHALL VERIFY THAT SIGNAL HEADS FLASH IN ACCORDANCE WITH THE SIGNAL PLANS.
- ENSURE THAT RED ENABLE IS ACTIVE AT ALL TIMES DURING NORMAL OPERATION. TO PREVENT RED FAILURES ON UNUSED MONITOR CHANNELS, TIE UNUSED RED MONITOR INPUTS 3,7,9,10, 11,12,13,14,15 & 16 TO LOAD SWITCH AC+ PER THE CABINET MANUFACTURER'S INSTRUCTIONS.
- PROGRAM CONTROLLER TO START UP IN PHASES 2 AND 6 GREEN.
- ENABLE SIMULTANEOUS GAP-OUT FEATURE, ON CONTROLLER UNIT, FOR ALL PHASES.
- PROGRAM PHASES 4 AND 8, ON CONTROLLER UNIT, FOR DUAL ENTRY.
- PROGRAM PHASES 2 AND 6, ON CONTROLLER UNIT, FOR VARIABLE INITIAL AND GAP REDUCTION.

**FIELD CONNECTION HOOK-UP CHART**

LOAD SWITCH NO.	S1	S2	S2P	S3	S4	S4P	S5	S6	S6P	S7	S8	S8P
PHASE	1	2	2 PED	3	4	4 PED	5	6	6 PED	7	8	8 PED
SIGNAL HEAD NO.	61	21,22	NU	NU	41,42	NU	21	61,62	NU	NU	81,82	NU
GREEN		130			103			136			109	
YELLOW		129			102			135			108	
RED	*	128			101		*	134			107	
RED ARROW												
YELLOW ARROW	126							132				
GREEN ARROW	127							133				

NU = NOT USED

\* DENOTES INSTALL LOAD RESISTOR. SEE LOAD RESISTOR INSTALLATION DETAIL THIS PAGE.

**EQUIPMENT INFORMATION**

CONTROLLER.....CONTRACTOR SUPPLIED 2070L  
 CABINET.....CONTRACTOR SUPPLIED 332  
 SOFTWARE.....ECONOLITE OASIS  
 CABINET MOUNT.....BASE  
 OUTPUT FILE POSITIONS...12  
 LOAD SWITCHES USED.....S1,S2,S4,S5,S6,S8  
 PHASES USED.....1,2,4,5,6,8  
 OVERLAPS.....NONE

**INPUT FILE POSITION LAYOUT**

(front view)

FILE "I"	1	2	3	4	5	6	7	8	9	10	11	12	13	14
U	∅ 2	∅ 1				∅ 4								FS
L	2A	1A				4A								DC ISOLATOR
	NOT USED	∅ 6				∅ 4								ST
		1A				4B								DC ISOLATOR
U	∅ 6	∅ 2				∅ 8								
L	6A	5A				8A								
	NOT USED	∅ 5				∅ 8								
		5A				8B								

EX.: 1A, 2A, ETC. = LOOP NO.'S

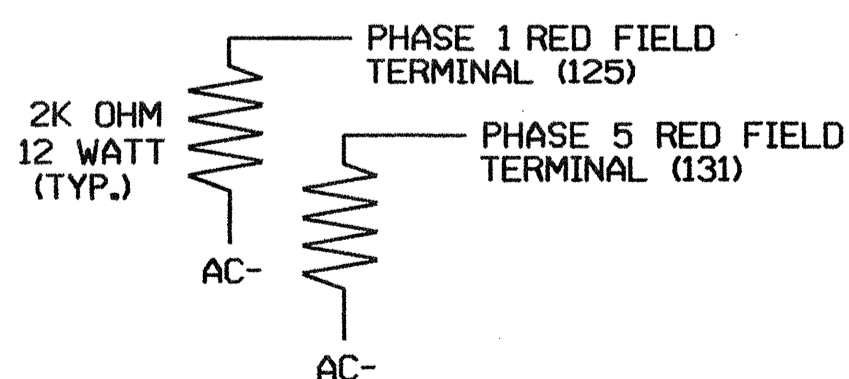
FS = FLASH SENSE  
 ST = STOP TIME

**INPUT FILE CONNECTION & PROGRAMMING CHART**

LOOP NO.	LOOP TERMINAL	INPUT FILE POS.	PIN NO.	INPUT ASSIGNMENT NO.	DETECTOR NO.	NEMA PHASE	CALL	EXTEND	FULL TIME DELAY	STRETCH TIME	DELAY TIME
2A	TB2-5,6	I2U	39	1	2	2	Y	Y			
1A	TB2-9,10	I3U	63	25	32	1	Y	Y			15
	TB2-11,12	I3L	76	38	42	6	Y	Y	Y		3
4A	TB4-9,10	I6U	41	3	4	4	Y	Y			3
4B	TB4-11,12	I6L	45	7	14	4	Y	Y			10
6A	TB3-5,6	J2U	40	2	6	6	Y	Y			
5A	TB3-9,10	J3U	64	26	36	2	Y	Y	Y		3
	TB3-11,12	J3L	77	39	46	5	Y	Y			15
8A	TB5-9,10	J6U	42	4	8	8	Y	Y			3
8B	TB5-11,12	J6L	46	8	18	8	Y	Y			10

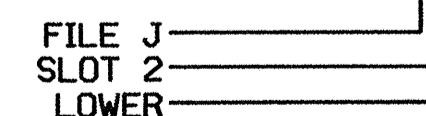
- ADD JUMPERS FROM TB2-9 TO TB2-11, AND FROM TB2-10 TO TB2-12.
- ADD JUMPERS FROM TB3-9 TO TB3-11, AND FROM TB3-10 TO TB3-12.

**LOAD RESISTOR INSTALLATION DETAIL**



NOTE: THE PURPOSE OF THESE RESISTORS IS TO LOAD THE CHANNEL RED MONITOR INPUTS IN ORDER FOR THE SIGNAL SEQUENCE MONITOR TO USE THE FULL SIGNAL SEQUENCE MONITORING CAPABILITY ON CHANNELS THAT DO NOT USE THE RED DISPLAY IN THE FIELD.

INPUT FILE POSITION LEGEND: J2L



**BACKUP PROTECTION NOTE**

(program controller as shown below)

FROM MAIN MENU PRESS '2' (PHASE CONTROL), THEN '1' (PHASE CONTROL FUNCTIONS). PROGRAM PHASES 2 & 6 FOR 'BACKUP PROTECT'. MAKE SURE THE RED REVERT TIMES SHOWN ON THE SIGNAL DESIGN PLANS ARE PROGRAMMED IN THE 'PHASE TIMING' MENU.

THIS ELECTRICAL DETAIL IS FOR THE SIGNAL DESIGN: 09-0374T2  
 DESIGNED: JULY 2004  
 SEALED: 8-11-04  
 REVISED: N/A

**TEMPORARY SIGNAL INSTALLATION - PHASE II & III**

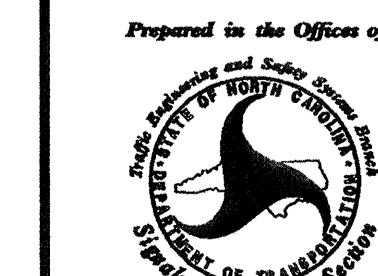
ELECTRICAL AND PROGRAMMING DETAILS FOR:

US 70 (STATESVILLE BOULEVARD)

AT

NC 801/SR 1827

(HOECHST CELANESE ROAD)



DIVISION 9 ROWAN CO. W. OF SALISBURY

PLAN DATE: 8-6-04 REVIEWED BY: D.T. JOYCE

PREPARED BY: D.H. SPAULDING REVIEWED BY:

REVISIONS INIT. DATE

122 N. McDowell St., Raleigh, NC 27603

SEAL  
 NORTH CAROLINA  
 PROFESSIONAL ENGINEER  
 SEAL 022013  
 GEORGE C. BROWN  
 SIGNATURE DATE

SIG. INVENTORY NO. 09-0374T2