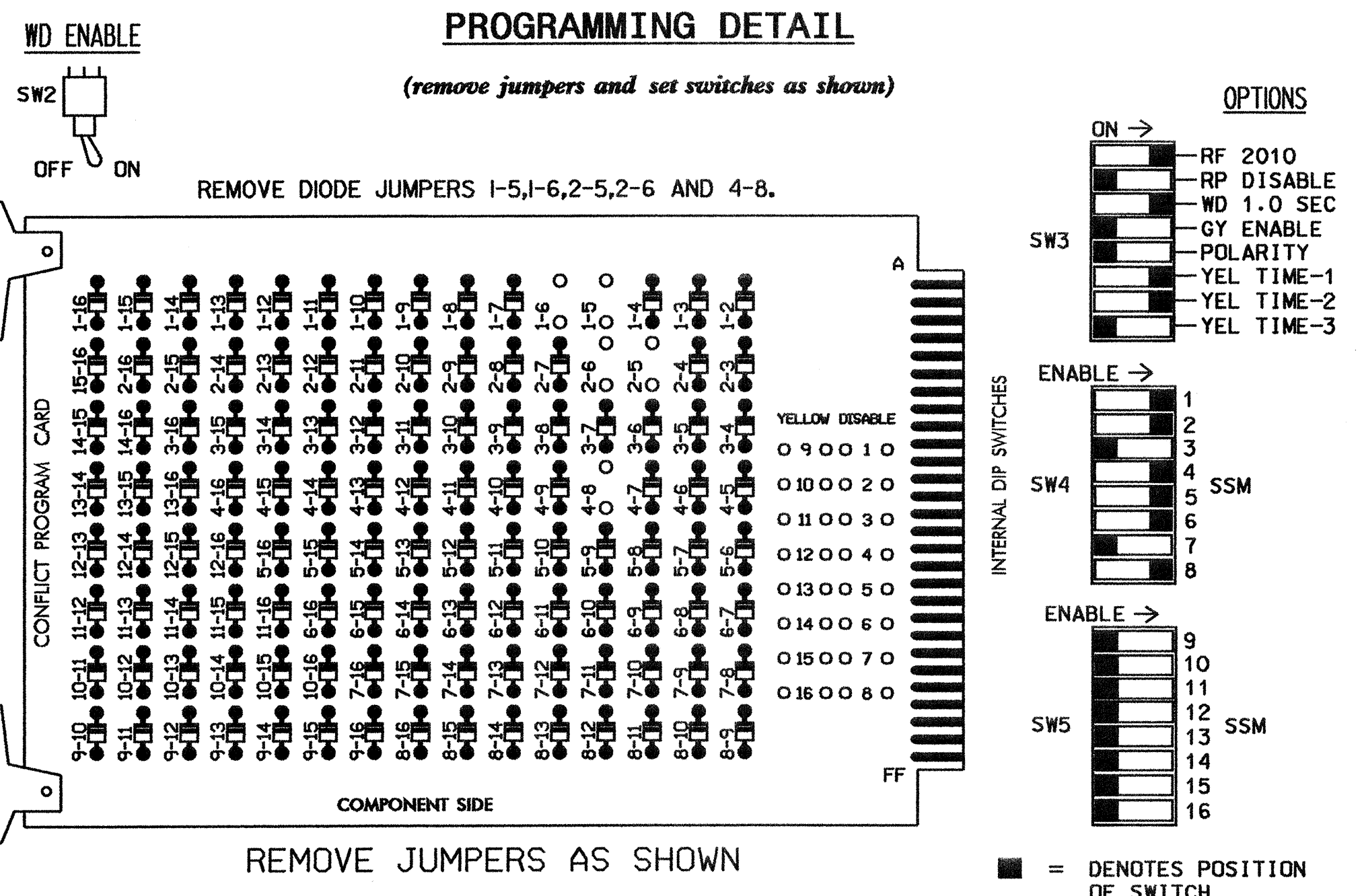


EDI MODEL 2010ECL CONFLICT MONITOR

PROGRAMMING DETAIL



NOTES:

- CARD IS PROVIDED WITH ALL DIODE JUMPERS IN PLACE. REMOVAL OF ANY JUMPER ALLOWS ITS CHANNELS TO RUN CONCURRENTLY.
- MAKE SURE JUMPERS SEL1-SEL5 ARE PRESENT ON THE MONITOR BOARD.

NOTES

- TO PREVENT "FLASH-CONFLICT" PROBLEMS, INSERT RED FLASH PROGRAM BLOCKS FOR ALL UNUSED VEHICLE LOAD SWITCHES IN THE OUTPUT FILE. THE INSTALLER SHALL VERIFY THAT SIGNAL HEADS FLASH IN ACCORDANCE WITH THE SIGNAL PLANS.
- ENSURE THAT RED ENABLE IS ACTIVE AT ALL TIMES DURING NORMAL OPERATION. TO PREVENT RED FAILURES ON UNUSED MONITOR CHANNELS, TIE UNUSED RED MONITOR INPUTS 3,7,9,10, 11,12,13,14,15 & 16 TO LOAD SWITCH AC+ PER THE CABINET MANUFACTURER'S INSTRUCTIONS.
- PROGRAM CONTROLLER TO START UP IN PHASES 2 AND 6 GREEN.
- ENABLE SIMULTANEOUS GAP-OUT FEATURE, ON CONTROLLER UNIT, FOR ALL PHASES.
- PROGRAM PHASES 4 AND 8, ON CONTROLLER UNIT, FOR DUAL ENTRY.
- PROGRAM PHASES 2 AND 6, ON CONTROLLER UNIT, FOR VARIABLE INITIAL AND GAP REDUCTION.

FIELD CONNECTION HOOK-UP CHART

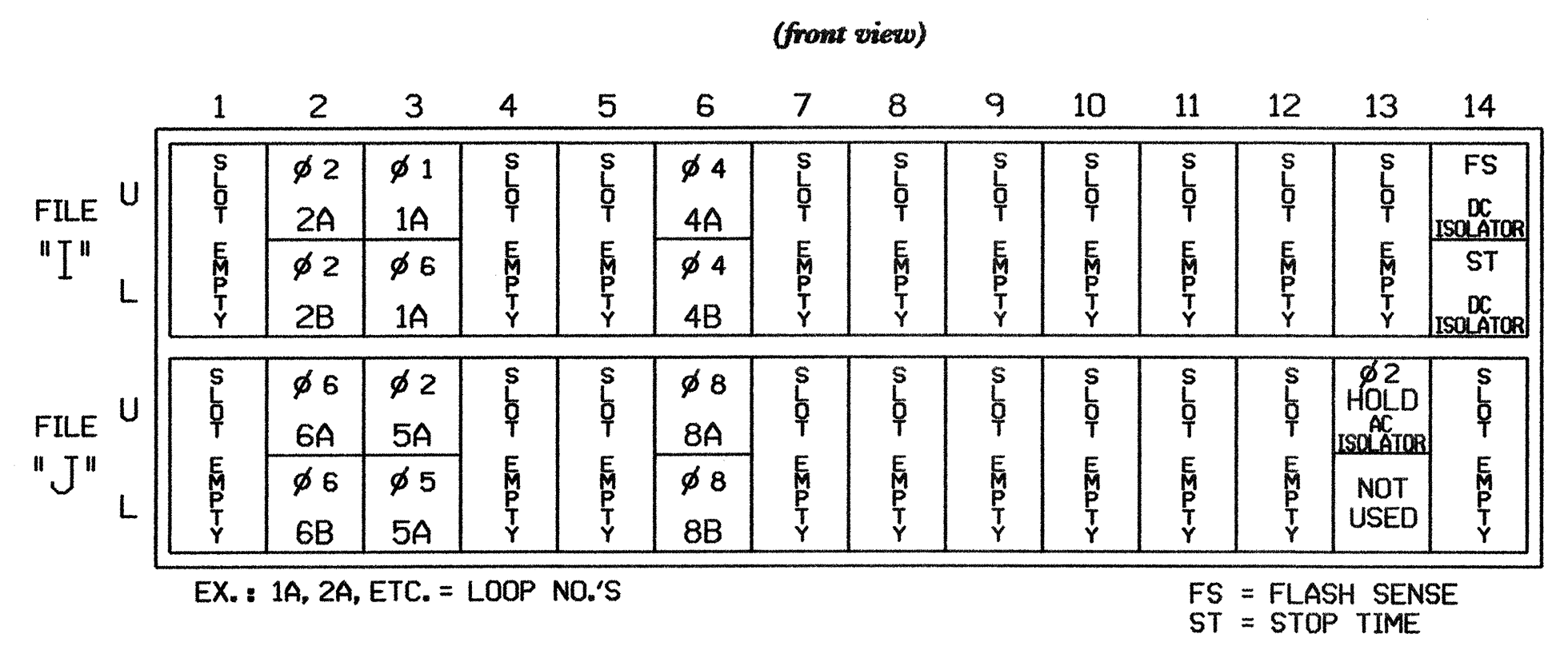
LOAD SWITCH NO.	S1	S2	S2P	S3	S4	S4P	S5	S6	S6P	S7	S8	S8P
PHASE	1	2	2 PED	3	4	4 PED	5	6	6 PED	7	8	8 PED
SIGNAL HEAD NO.	61	21,22 23	NU	NU	41,42	NU	21	61,62 63	NU	NU	81,82	NU
GREEN		130			103			136			109	
YELLOW		129			102			135			108	
RED	*	128			101		*	134			107	
RED ARROW												
YELLOW ARROW	126							132				
GREEN ARROW	127							133				

NU = NOT USED
* DENOTES INSTALL LOAD RESISTOR. SEE LOAD RESISTOR INSTALLATION DETAIL THIS PAGE.

EQUIPMENT INFORMATION

CONTROLLER.....CONTRACTOR SUPPLIED 2070L
CABINET.....CONTRACTOR SUPPLIED 332
SOFTWARE.....ECONOLITE OASIS
CABINET MOUNT.....BASE
OUTPUT FILE POSITIONS...12
LOAD SWITCHES USED.....S1,S2,S4,S5,S6,S8
PHASES USED.....1,2,4,5,6,8
OVERLAPS.....NONE

INPUT FILE POSITION LAYOUT

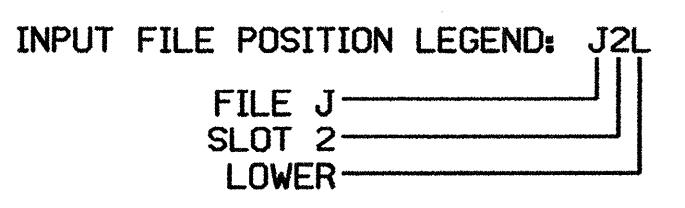
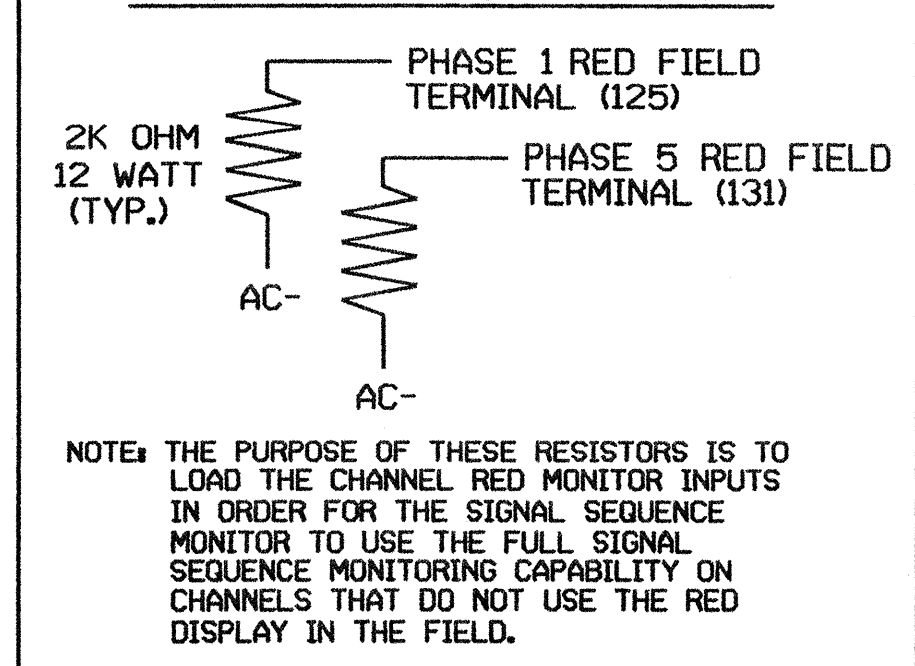


INPUT FILE CONNECTION & PROGRAMMING CHART

LOOP NO.	LOOP TERMINAL	INPUT FILE POS.	PIN NO.	INPUT ASSIGNMENT NO.	DETECTOR NO.	NEMA PHASE	CALL	EXTEND	FULL TIME DELAY	STRETCH TIME	DELAY TIME
2A	TB2-5,6	I2U	39	1	2	2	Y	Y			
2B	TB2-7,8	I2L	43	5	12	2	Y	Y			
1A ¹	TB2-9,10	I3U	63	25	32	1	Y	Y	Y		15
	TB2-11,12	I3L	76	38	42	6	Y	Y	Y		3
4A	TB4-9,10	I6U	41	3	4	4	Y	Y			3
4B	TB4-11,12	I6L	45	7	14	4	Y	Y			10
6A	TB3-5,6	J2U	40	2	6	6	Y	Y			
6B	TB3-7,8	J2L	44	6	16	6	Y	Y			
5A ²	TB3-9,10	J3U	64	26	36	2	Y	Y	Y		3
	TB3-11,12	J3L	77	39	46	5	Y	Y			15
8A	TB5-9,10	J6U	42	4	8	8	Y	Y			3
8B	TB5-11,12	J6L	46	8	18	8	Y	Y			10

¹ ADD JUMPERS FROM TB2-9 TO TB2-11, AND FROM TB2-10 TO TB2-12.
² ADD JUMPERS FROM TB3-9 TO TB3-11, AND FROM TB3-10 TO TB3-12.

LOAD RESISTOR INSTALLATION DETAIL



BACKUP PROTECTION NOTE

(program controller as shown below)
FROM MAIN MENU PRESS '2' (PHASE CONTROL). THEN '1' (PHASE CONTROL FUNCTIONS). PROGRAM PHASES 2 & 6 FOR 'BACKUP PROTECT'. MAKE SURE THE RED REVERT TIMES SHOWN ON THE SIGNAL DESIGN PLANS ARE PROGRAMMED IN THE 'PHASE TIMING' MENU.

THIS ELECTRICAL DETAIL IS FOR THE SIGNAL DESIGN: 09-0374
DESIGNED: JULY 2004
SEALED: 8-11-04
REVISED: N/A

SIGNAL INSTALLATION - FINAL **SHEET 1 of 3**

ELECTRICAL AND PROGRAMMING DETAILS FOR: **US 70 (STATESVILLE BOULEVARD)**

AT **NC 801/SR 1827 (HOECHST CELENESE ROAD)**

DIVISION 9 **ROWAN CO. W. OF SALISBURY**

PLAN DATE: **8-6-04** REVIEWED BY: **D.T. JOYCE 071**

PREPARED BY: **D.H. SPAULDING** REVIEWED BY:

REVISIONS	INIT.	DATE

Prepared in the Office of:

Signature: **George C. Brown** DATE: **8/26/04**

122 N. McDowell St., Raleigh, NC 27603

SIG. INVENTORY NO. **09-0374**