

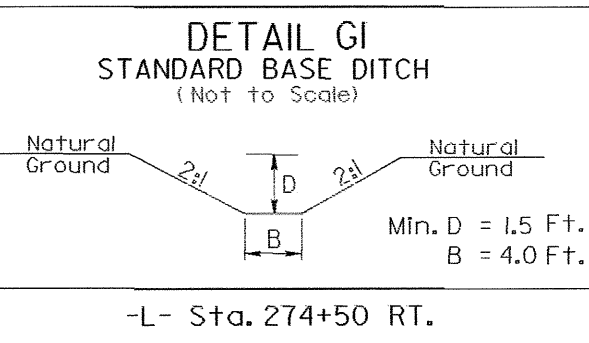
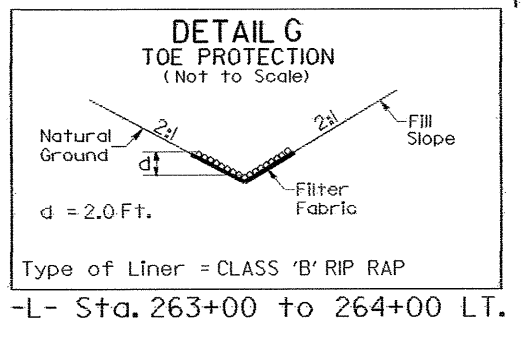
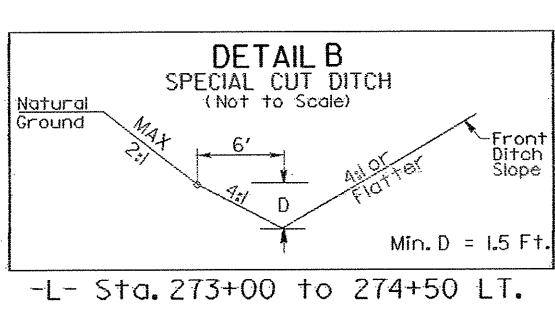
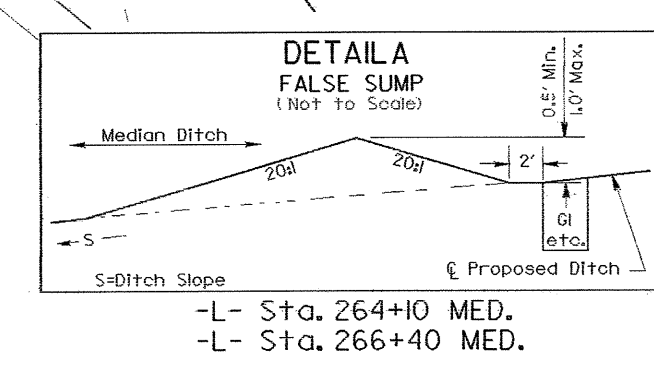
CLEARING AND GRUBBING  
EROSION CONTROL FOR  
CONSTRUCTION SHEET 9

NOTE:  
PLACE TEMPORARY ROCK SEDIMENT DAMS TYPE- B  
AND TEMPORARY ROCK SILT CHECKS TYPE-A AT  
DRAINAGE OUTLETS.

NC GRID  
NAD  
83

-Y9-	-Y9-
PI Sta 15+96.87	PI Sta 18+87.21
$\Delta = 0^\circ 56' 35.3" (RT)$	$\Delta = 70^\circ 39' 37.6" (RT)$
$D = 1^\circ 00' 00.0"$	$D = 35^\circ 00' 00.0"$
$L = 94.31'$	$L = 201.89'$
$T = 47.16'$	$T = 116.04'$
$R = 5,729.58'$	$R = 163.70'$
$SE = NC$	$SE = 0.03$
$DS = 40 MPH$	$DS = <20 MPH$

-L-
PI Sta 268+02.05
$\Delta = 29^\circ 37' 23.7" (RT)$
$D = 1^\circ 30' 28.0"$
$L = 1,964.69'$
$T = 1,004.83'$
$R = 3,800.00'$
$SE = 0.05$
$DS = 65 MPH$



Note: See Sheet 22 for -L- line profile  
See Sheet 32 for -Y9- line profile  
See Sheet 2-E for driveway details  
See Sheet 2-F for Y9 intersection detail

Match Line Sheet 8 -L- Sta. 263+00.00

Match Line Sheet 10 -L- Sta. 276+00.00

