

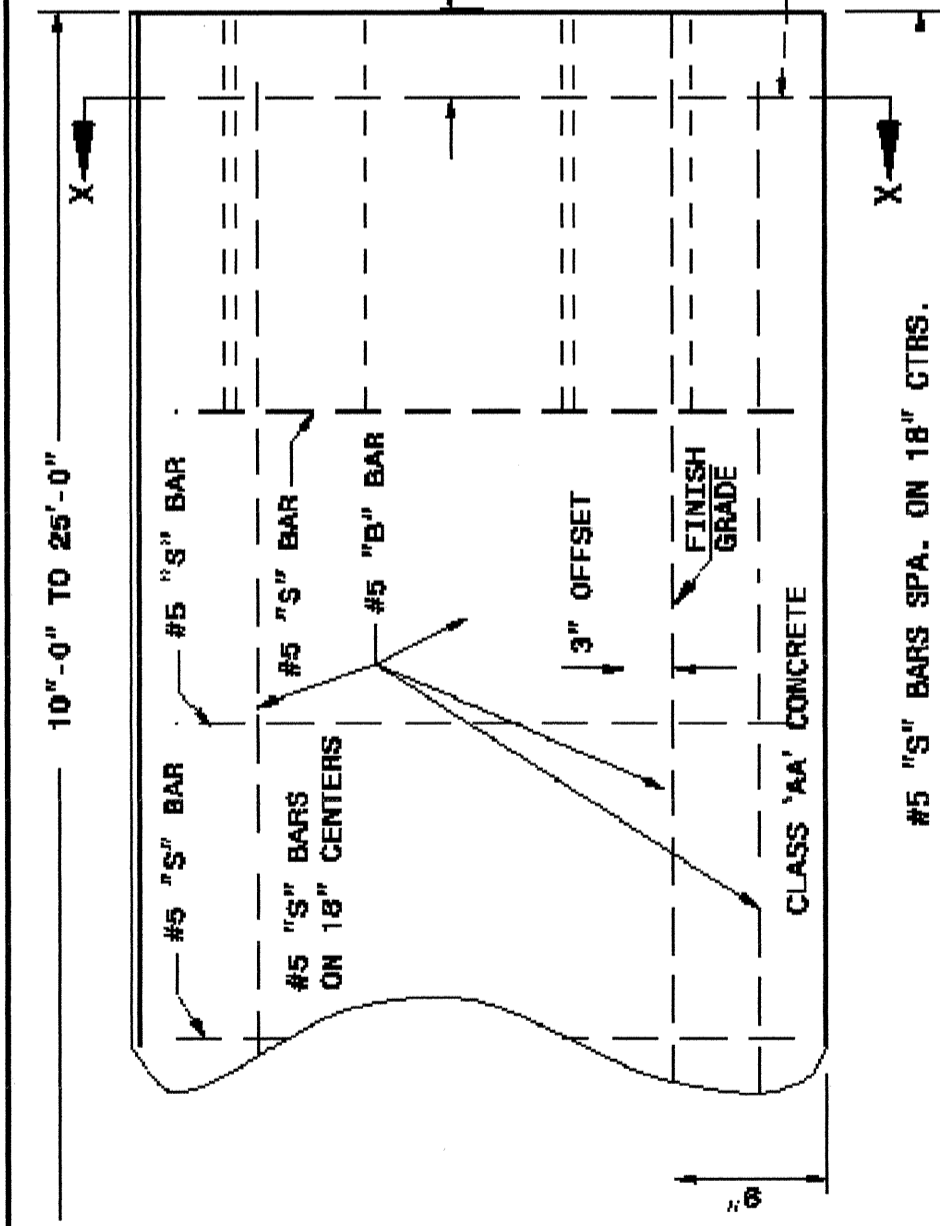
2:4PR-2344 0555  
 \\snp\apps\pdm\data\02\Spec\Drawings\857D01\857D01.dwg  
 AT 11/22/2004

27.4.09

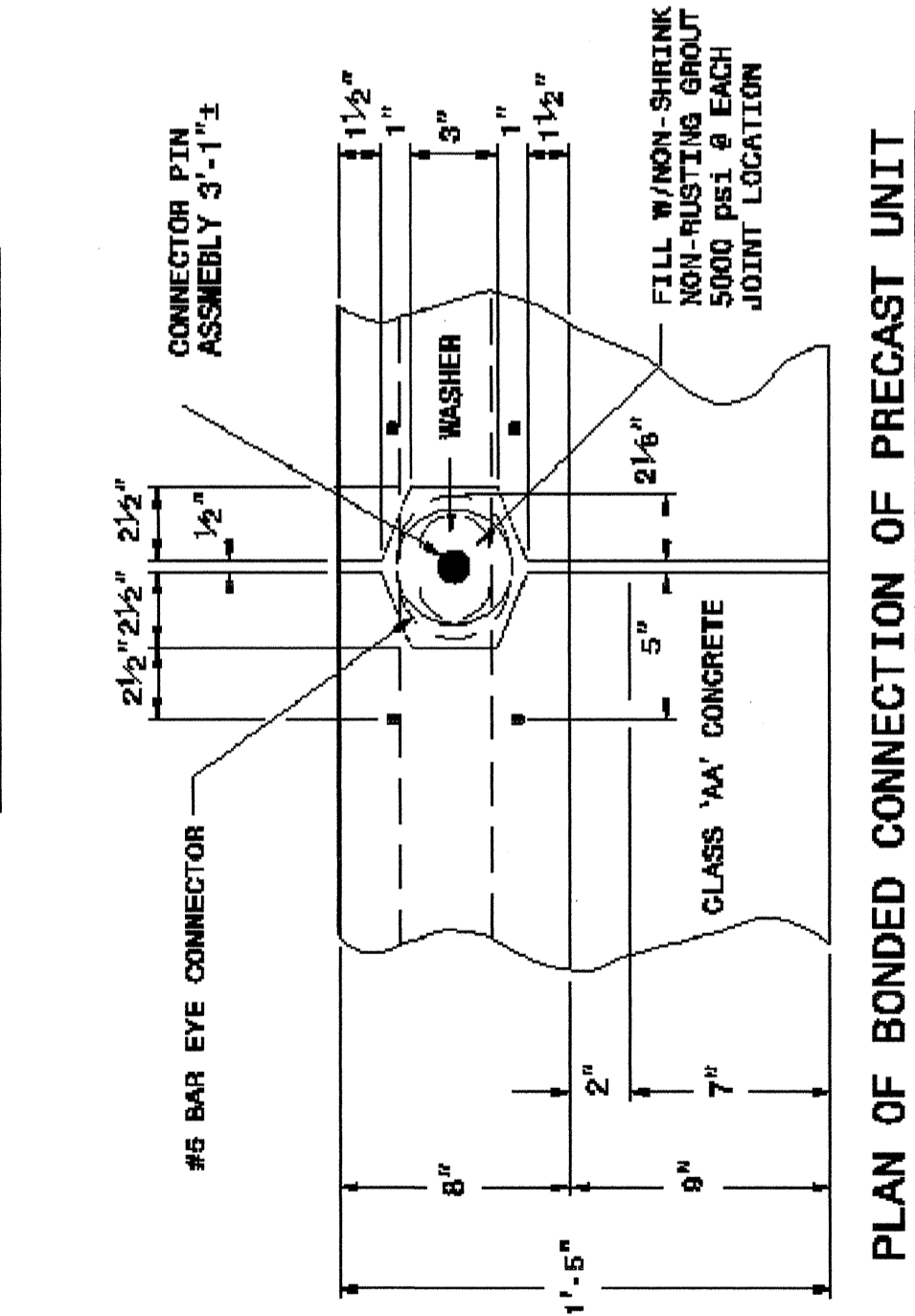
STATE OF  
NORTH CAROLINA  
DEPT. OF TRANSPORTATION  
DIVISION OF HIGHWAYS  
RALEIGH, N.C.

ENGLISH DETAIL DRAWING FOR  
**PRECAST REINFORCED CONCRETE BARRIER**  
41" SINGLE FACED

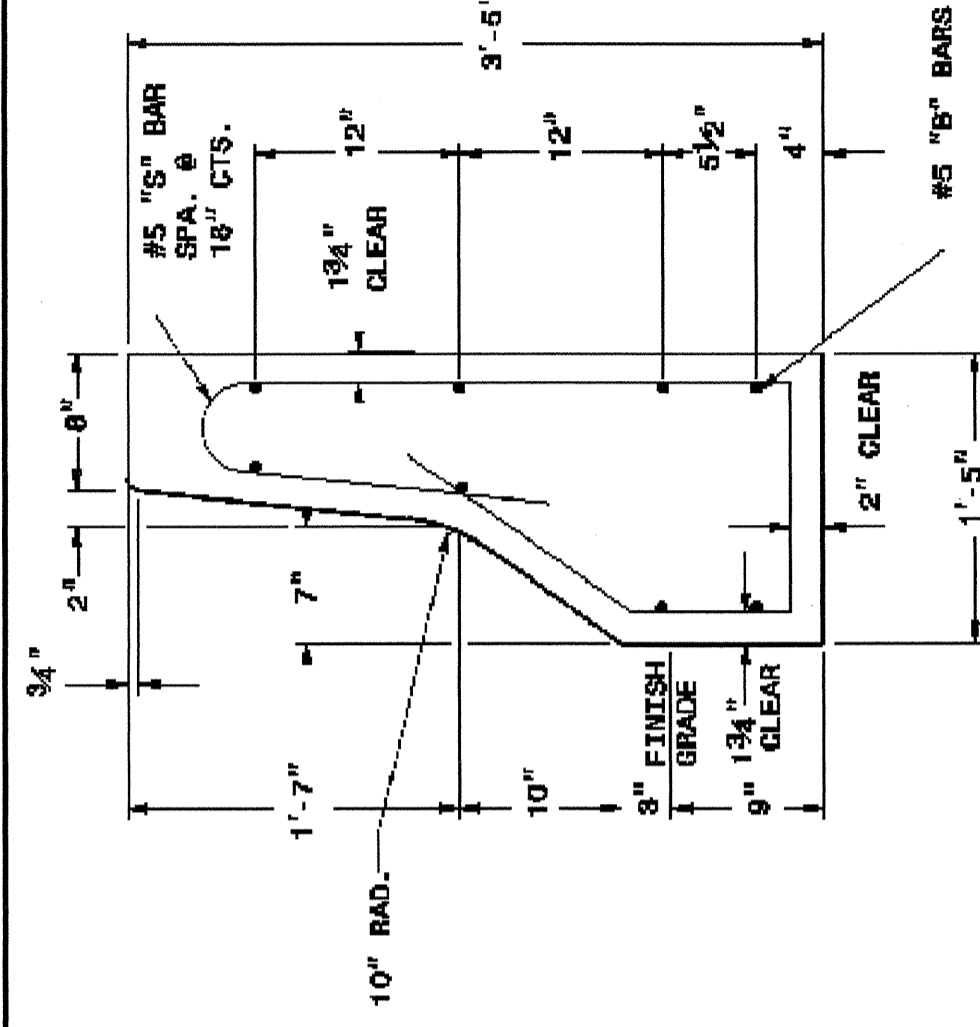
SHEET 5 OF 8  
**857D01**



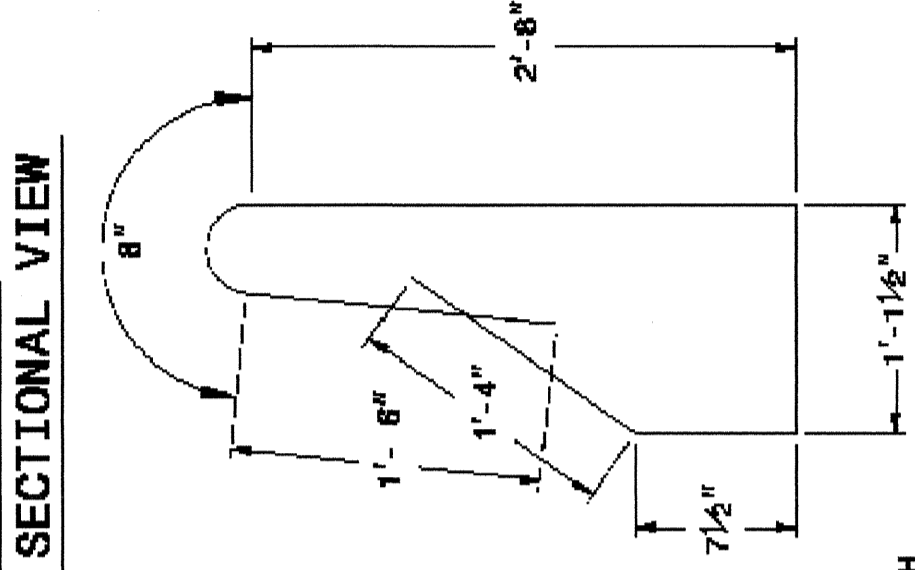
**PART FRONT ELEVATION**



**PLAN OF BONDED CONNECTION OF PRECAST UNIT**



**CROSS SECTIONAL VIEW**



**S - BARS**

STATE OF  
NORTH CAROLINA  
DEPT. OF TRANSPORTATION  
DIVISION OF HIGHWAYS  
RALEIGH, N.C.

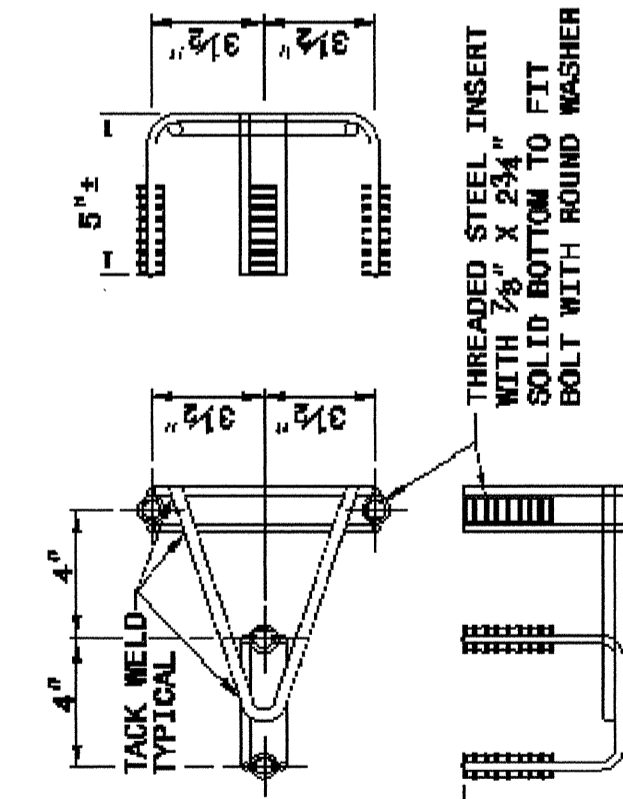
ENGLISH DETAIL DRAWING FOR  
**PRECAST REINFORCED CONCRETE BARRIER**  
41" SINGLE FACED

SHEET 5 OF 8  
**857D01**

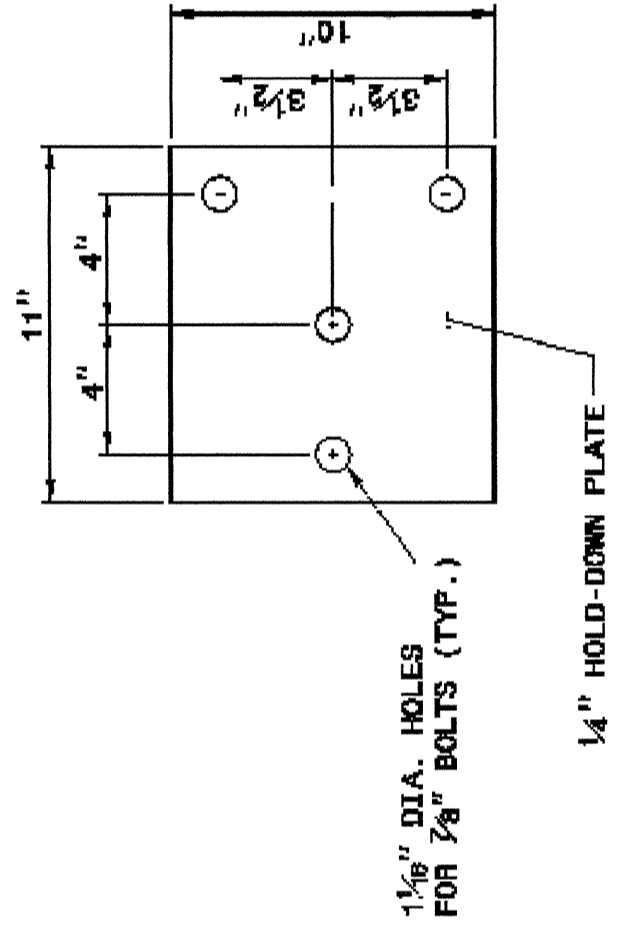
STATE OF  
NORTH CAROLINA  
DEPT. OF TRANSPORTATION  
DIVISION OF HIGHWAYS  
RALEIGH, N.C.

ENGLISH DETAIL DRAWING FOR  
**PRECAST REINFORCED CONCRETE BARRIER**  
41" SINGLE FACED

SHEET 6 OF 8  
**857D01**



**DETAIL A**  
**4 BOLT INSERT ASSEMBLY**



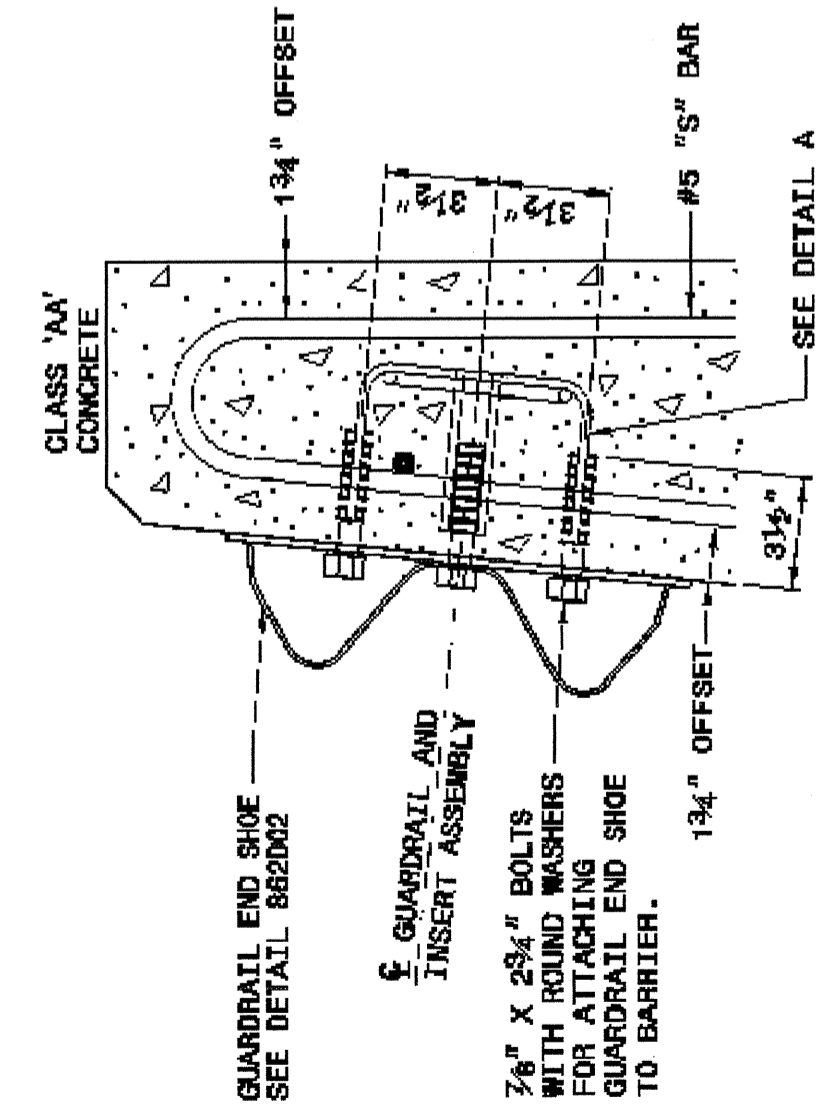
**DETAIL B**  
**4 BOLT HOLD DOWN PLATE**

STATE OF  
NORTH CAROLINA  
DEPT. OF TRANSPORTATION  
DIVISION OF HIGHWAYS  
RALEIGH, N.C.

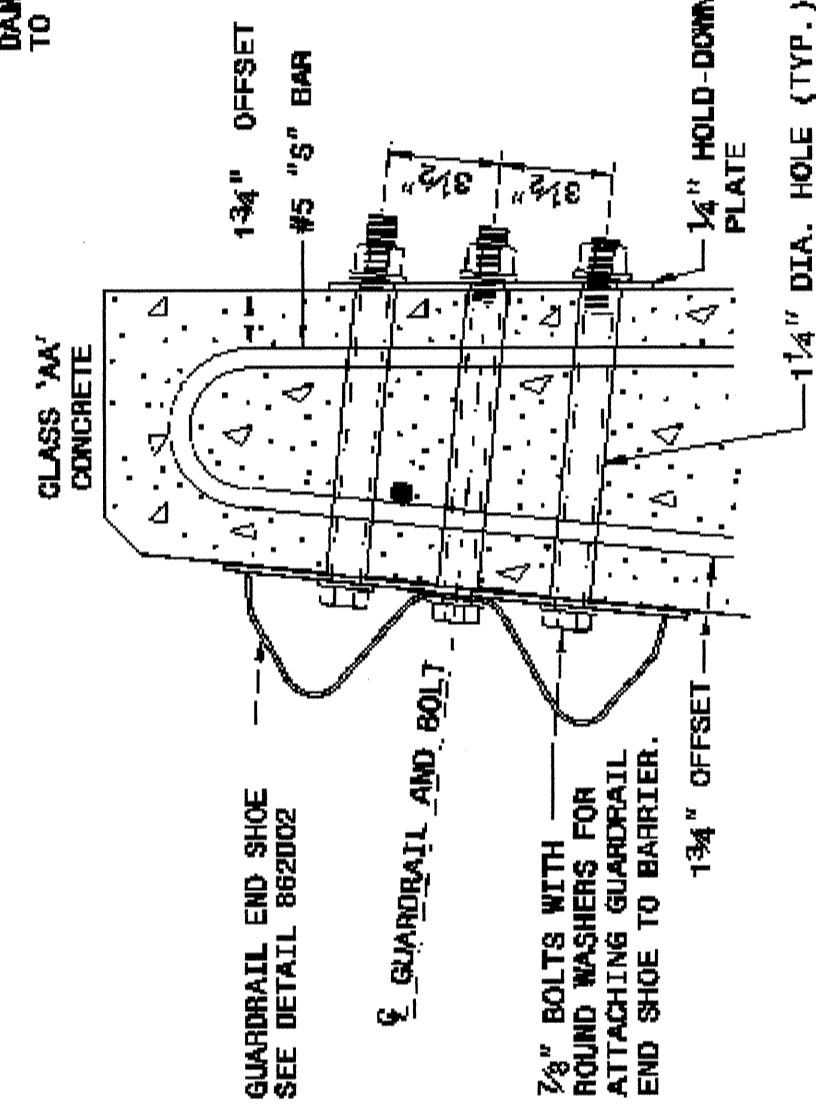
ENGLISH DETAIL DRAWING FOR  
**PRECAST REINFORCED CONCRETE BARRIER**  
41" SINGLE FACED

SHEET 6 OF 8  
**857D01**

NOTES FOR 4 BOLT HOLD-DOWN PLATE:  
THE GUARDRAIL ANCHOR ASSEMBLY SHALL CONSIST OF A 1 1/4" HOLD-DOWN PLATE AND 4 - 3/8" DIA. BOLTS WITH NUTS AND WASHERS.  
THE HOLD-DOWN PLATE SHALL CONFORM TO AASHTO M270 GRADE 55 AFTER FABRICATION, THE HOLD-DOWN PLATE SHALL BE HOT-DIP GALVANIZED IN ACCORDANCE WITH AASHTO M111.  
AFTER INSTALLATION, THE EXPOSED THREAD OF THE BOLT SHALL BE BURRED WITH A SHARP POINTED TOOL.  
THE 1 1/4" DIA. HOLES SHALL BE FORMED OR DRILLED WITH A CORE BIT. IMPACT TOOLS WILL NOT BE PERMITTED. ANY CONCRETE DAMAGED BY THIS WORK SHALL BE REPAIRED TO THE SATISFACTION OF THE ENGINEER.



**PART SECTION OF BARRIER THRU END SHOE SECTION AND 4 BOLT INSERT ASSEMBLY**



**PART SECTION OF BARRIER THRU END SHOE SECTION AND 4 BOLT HOLD DOWN PLATE**

**DESIGN SERVICES UNIT**  
STANDARDS AND SPECIAL DESIGN  
Office 919-250-4128 FAX 919-250-4119

**SEE PLATE FOR TITLE**

ORIGINAL BY: 2002 STD. 857.01 DATE:  
MODIFIED BY: E.E. WARD DATE: 4-07-04  
CHECKED BY: DATE:  
FILE SPEC.: J:\snp\stds\02\stdat\11\857D01\857D01.dwg

