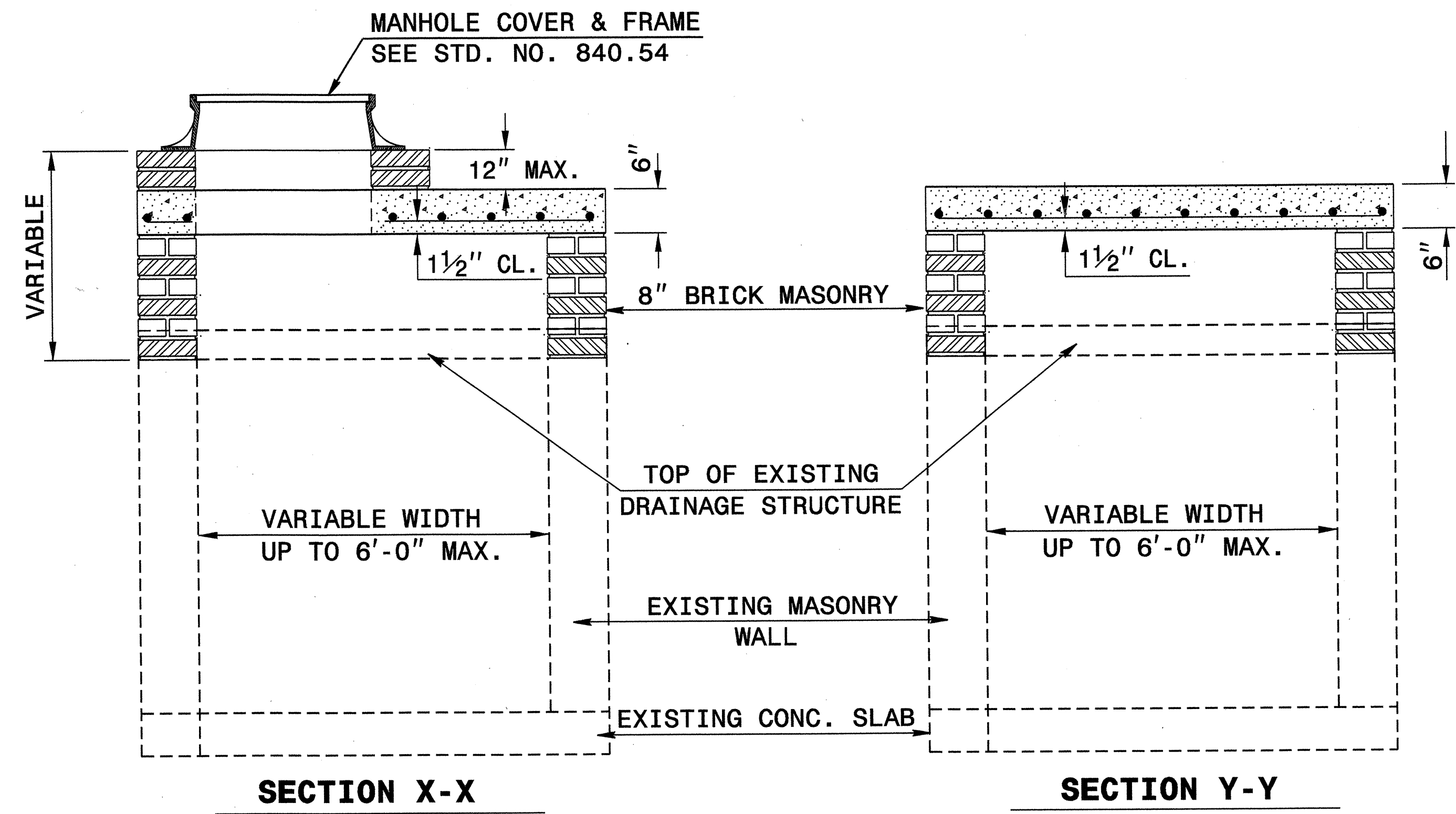
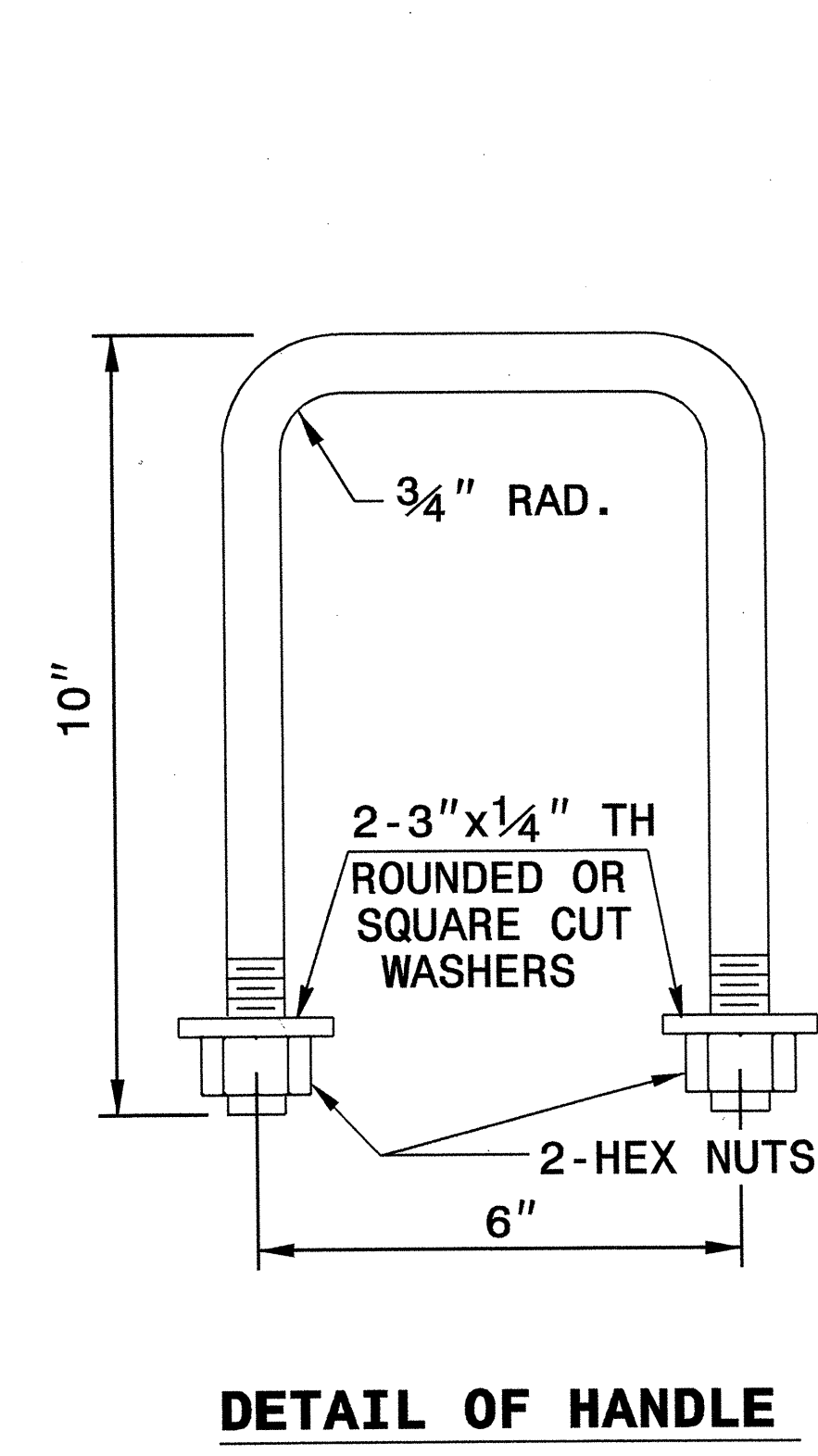
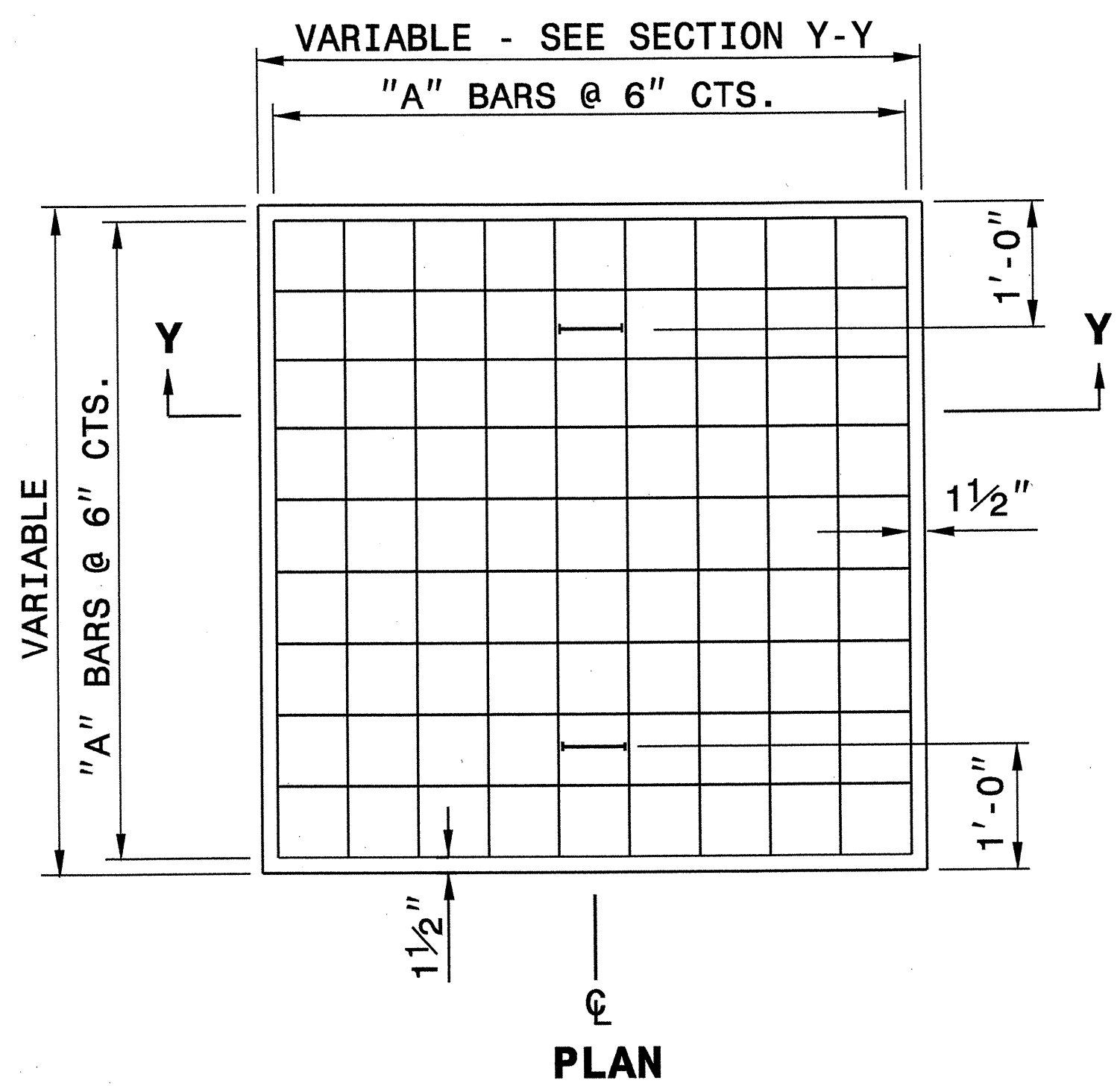
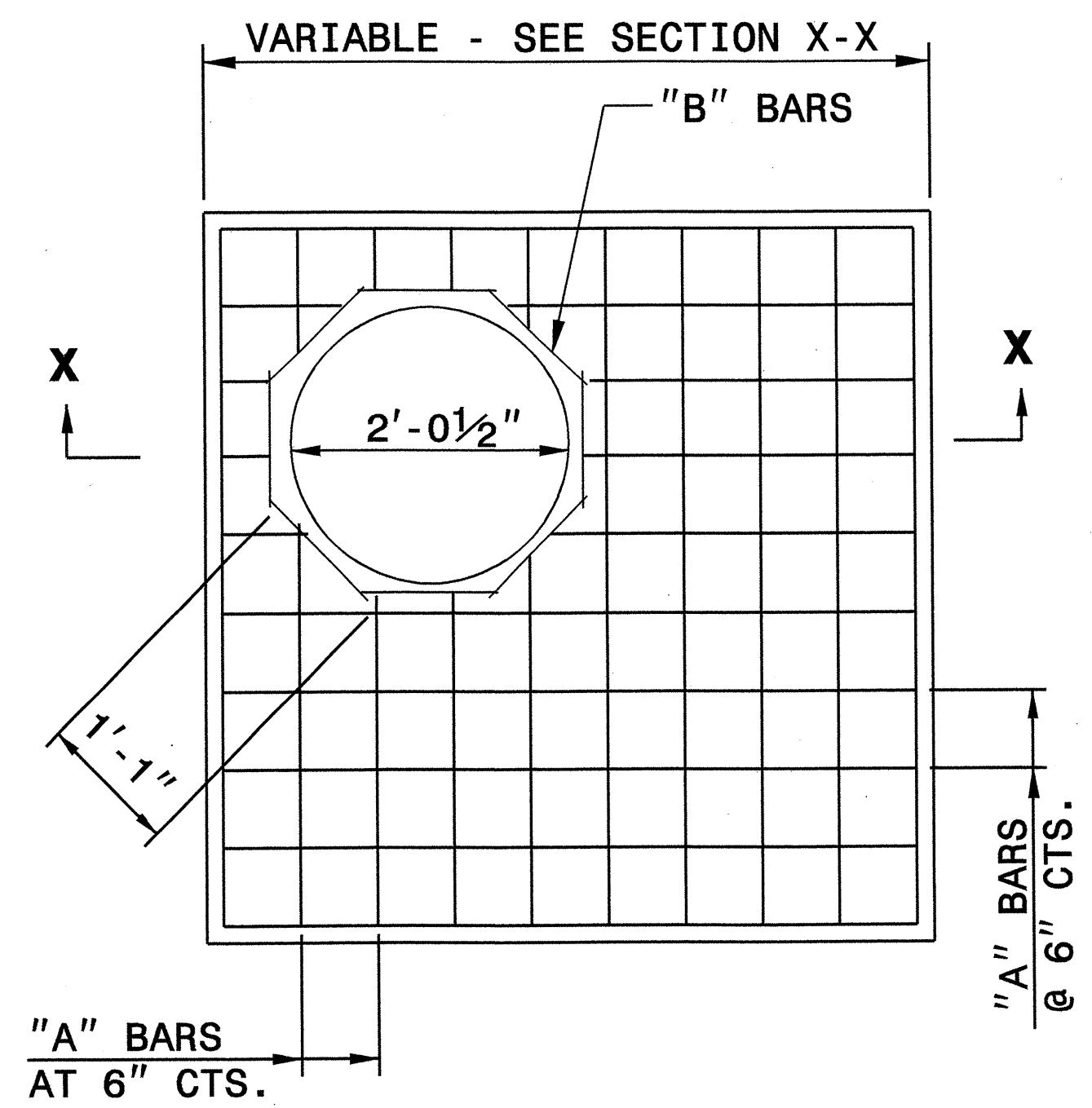
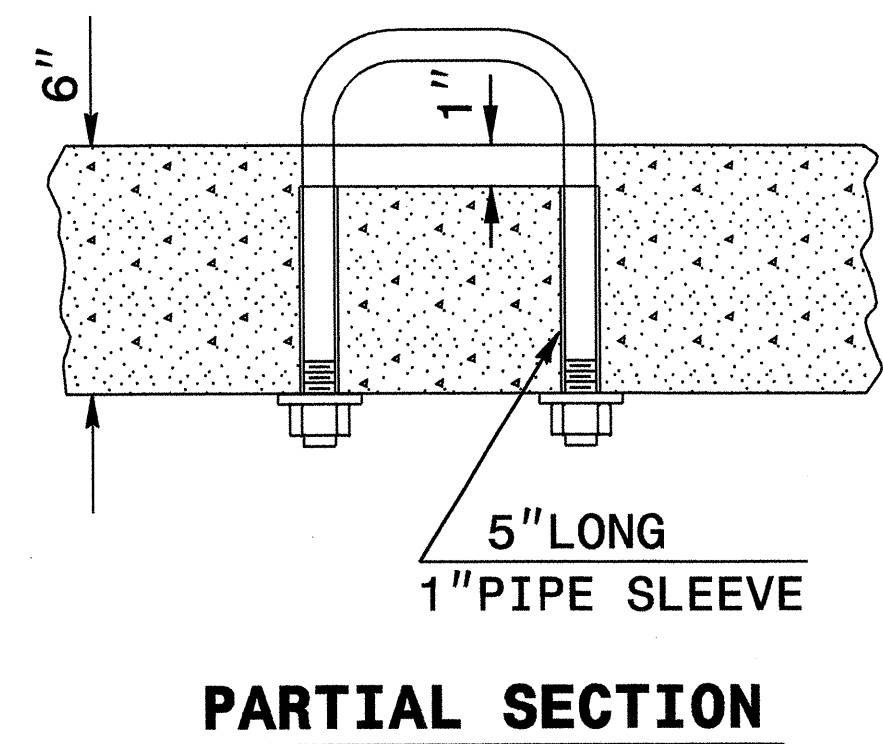


5/14/99



GENERAL NOTES:

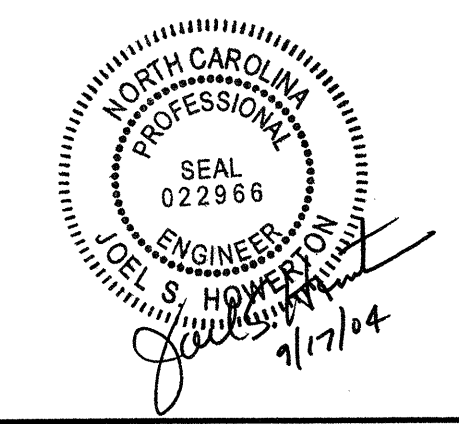
CONSTRUCT IN ACCORDANCE WITH SECTION 859 OF THE STANDARD SPECIFICATIONS.

THE DIMENSIONS FOR THE EXISTING BOXES ARE APPROXIMATE AND MAY VARY SLIGHTLY.

DETAIL INTENDED FOR NON-TRAFFIC BEARING DRAINAGE STRUCTURES.

BILL OF MATERIALS				
REINFORCING STEEL				
CODE	SIZE	QTY.	LENGTH	REINF. STEEL LBS.
A	#4	20	4'-6"	60.12
B	#4	8	1'-1"	5.79
TOTAL				65.91 *
MASONRY				CU YDS
TOP SLAB CONCRETE CLASS "B"				.4326 *
BRICK MASONRY PER FT HT (MIN)				.4111

*** NOTE:**
 QUANTITIES BASED ON 3'-6" X 3'-6" DRAINAGE STRUCTURE. ADJUST QUANTITIES FOR LARGER STRUCTURES AND MANHOLE CONSTRUCTION.



**DESIGN SERVICES UNIT
 STANDARDS AND SPECIAL DESIGN**
 Office 919-250-4128 FAX 919-250-4119

**DETAIL TO CONVERT EXISTING
 DROP INLET OR CATCH BASIN
 TO JUNCTION BOX
 (MANHOLE OPTIONAL)**

ORIGINAL BY: T.S.S. DATE: NOV. 1997
 MODIFIED BY: T.S.S. DATE: FEB. 2000
 CHECKED BY: [Signature] DATE: 7/6/04
 FILE SPEC.: dsj74:\usr\details\stand\boxtoib.dgn