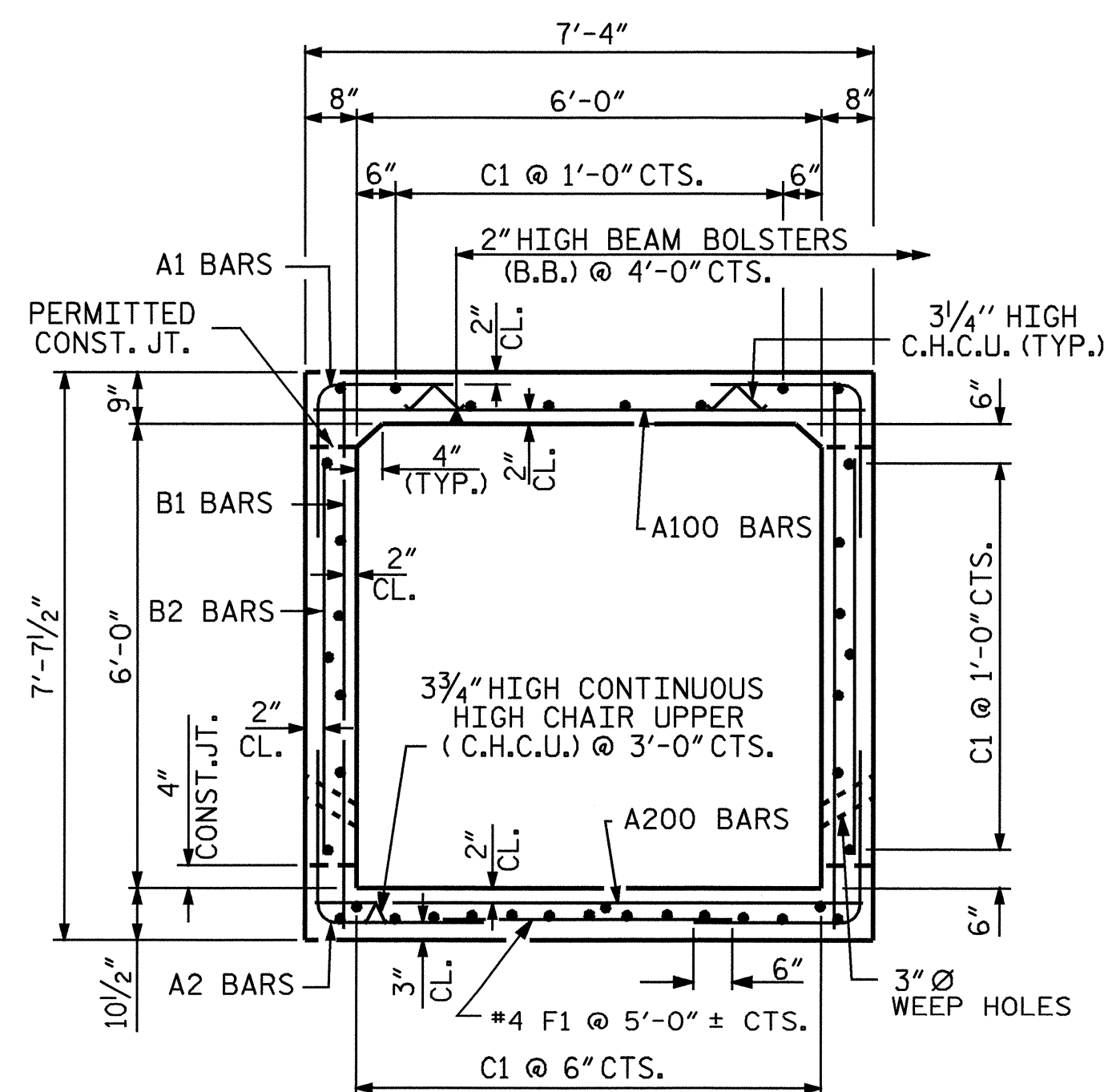
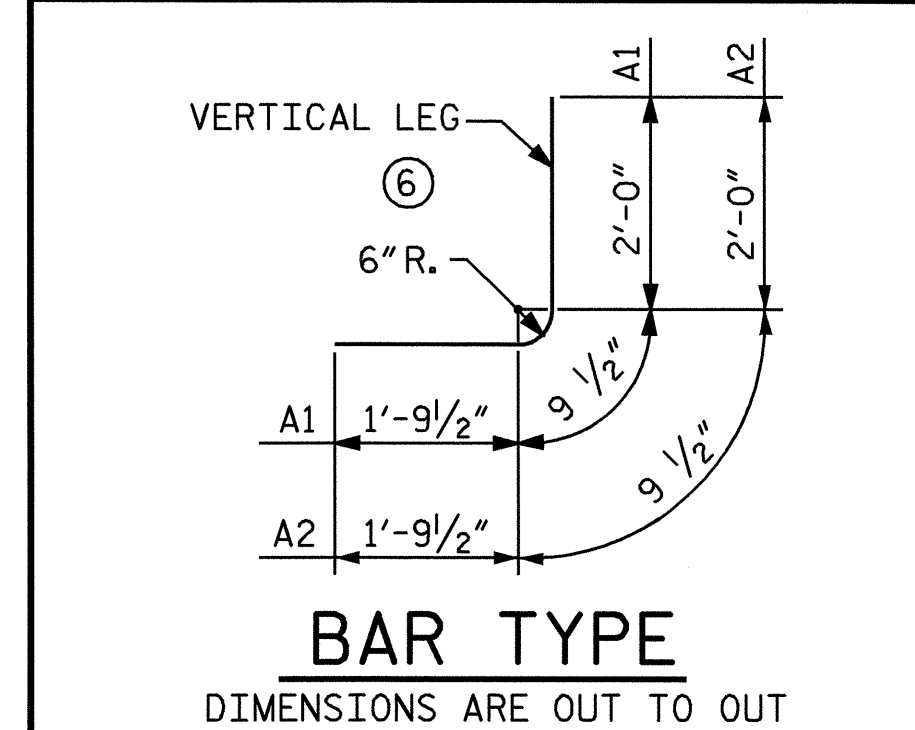


LEFT CULVERT EXTENSION SECTION NORMAL TO ROADWAY

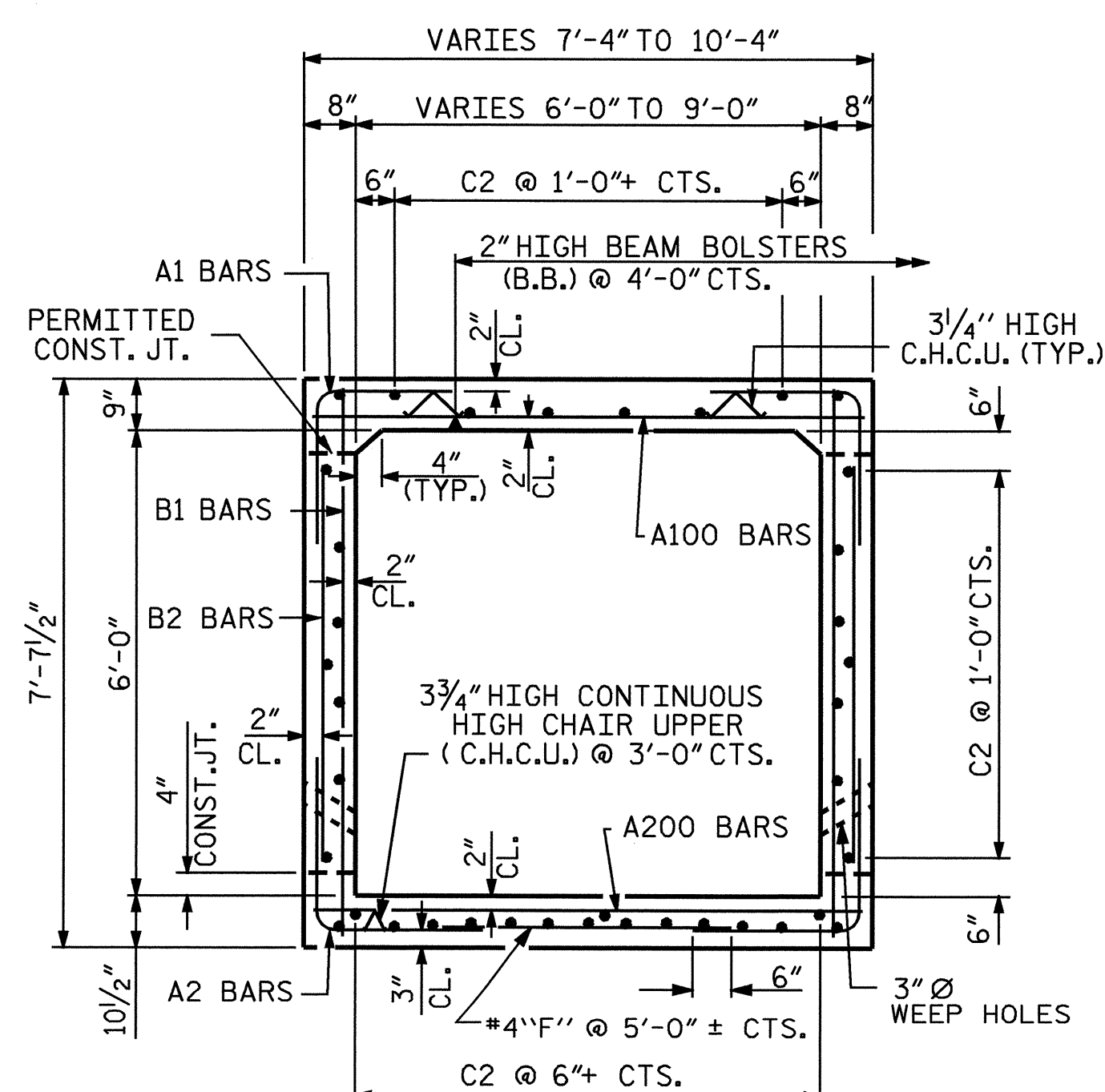
LEFT EXTENSION STRUCTURE QUANTITIES	
CLASS A CONCRETE	
BARREL @ 0.780 C.Y./FT.	15.8 C.Y.
WINGS, ETC.	8.5 C.Y.
TOTAL	24.3 C.Y.
REINFORCING STEEL	
BARREL	2512 LBS.
WINGS, ETC.	396 LBS.
TOTAL	2908 LBS.
FOUNDATION CONDITIONING MATERIAL 12 TONS	
CULVERT EXCAVATION LUMP SUM	

BAR SCHEDULE					
LEFT EXTENSION					
BAR	NO.	SIZE	TYPE	LENGTH	WEIGHT
A1	62	#5	6	4'-7"	296
A2	62	#5	6	4'-7"	296
A100	16	#6	STR	6'-11"	166
A101	1	#6	STR	3'-11"	6
A111	3	#6	STR	7'-1"	32
A112	3	#6	STR	7'-9"	35
A113	3	#6	STR	8'-5"	38
A114	3	#6	STR	9'-1"	41
A115	2	#6	STR	9'-9"	29
A200	16	#6	STR	6'-11"	166
A201	1	#6	STR	3'-11"	6
A211	3	#6	STR	7'-1"	32
A212	3	#6	STR	7'-9"	35
A213	3	#6	STR	8'-5"	38
A214	3	#6	STR	9'-1"	41
A215	2	#6	STR	9'-9"	29
B1	42	#4	STR	7'-1"	199
B2	62	#4	STR	5'-4"	221
C1	38	#4	STR	14'-3"	362
C2	38	#4	STR	8'-10"	224
D1	20	#6	STR	2'-6"	75
F1	4	#4	STR	4'-5"	12
F2	1	#4	STR	7'-3"	5
G1	2	#4	STR	10'-0"	13
S1	6	#8	STR	7'-2"	115

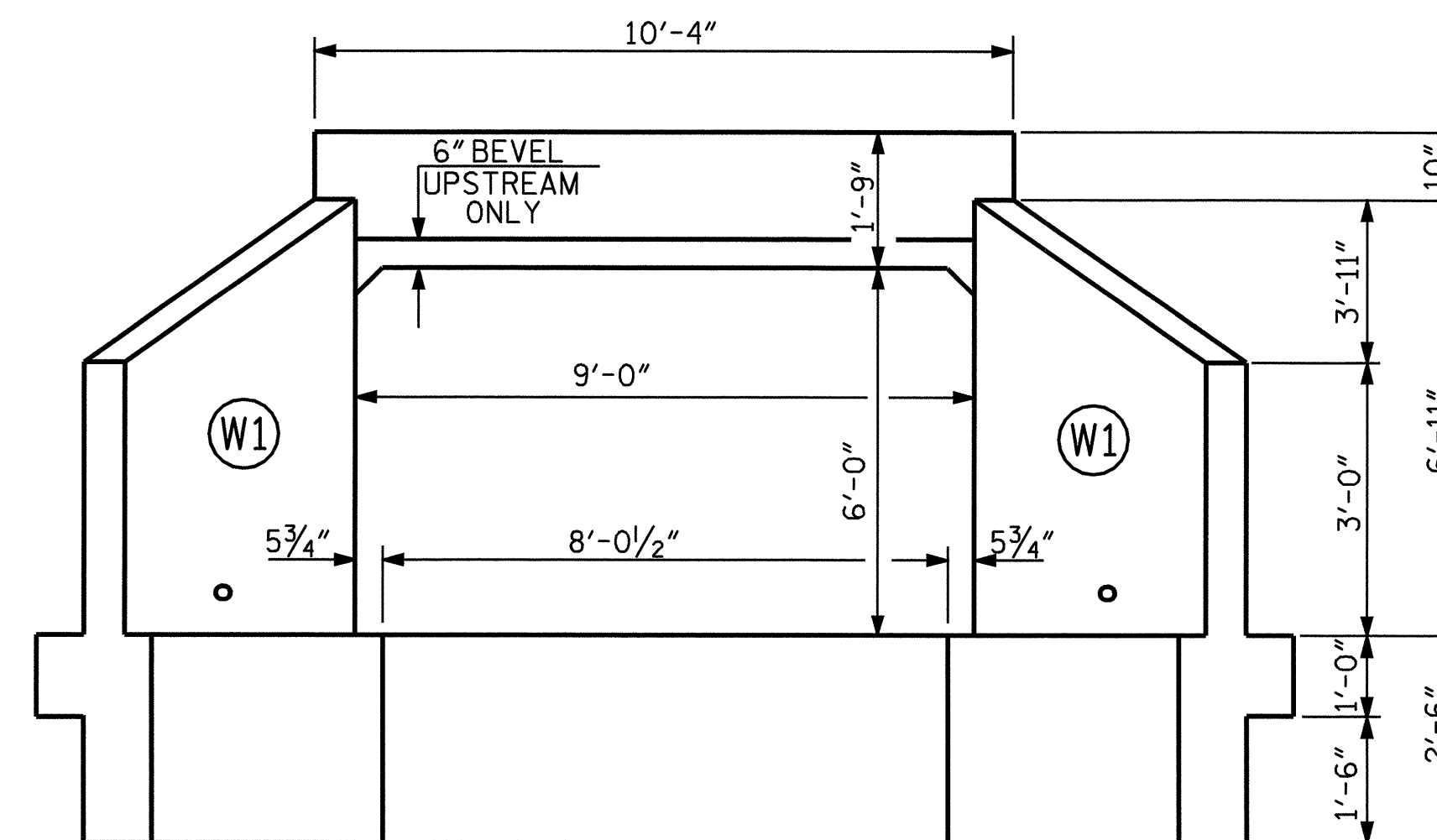
REINFORCING STEEL	=	2512 LBS.
SPLICE LENGTHS CHART		
BAR	SIZE	SPLICE LENGTH
B1	#4	1'-9"
"C"	#4	1'-11"



RIGHT ANGLE SECTION OF BARREL
THERE ARE 38 "C" BARS IN SECTION OF BARREL



RIGHT ANGLE SECTION OF TAPERED BARREL
THERE ARE 38 "C" BARS IN SECTION OF BARREL



INLET END ELEVATION

PROJECT NO. R-2911C
ROWAN COUNTY
 STATION: 62+25.00-L1-

SHEET 2 OF 7



STATE OF NORTH CAROLINA
 DEPARTMENT OF TRANSPORTATION
 RALEIGH
 SINGLE 6 FT. X 6 FT.
 CONCRETE BOX CULVERT
 (LEFT EXTENSION)

DRAWN BY : L.L. MURPHY DATE : 08-04
 CHECKED BY : M.G. CHEEK DATE : 09-04

01-OCT-2004 14:22
 w:\sdquedy\2911c\lmurphy\R2911C.sd.CU.01.dgn
 lmurphy

REVISIONS						SHEET NO.
NO.	BY:	DATE:	NO.	BY:	DATE:	C-2
1			3			TOTAL SHEETS
2			4			20

STR #1 NC005