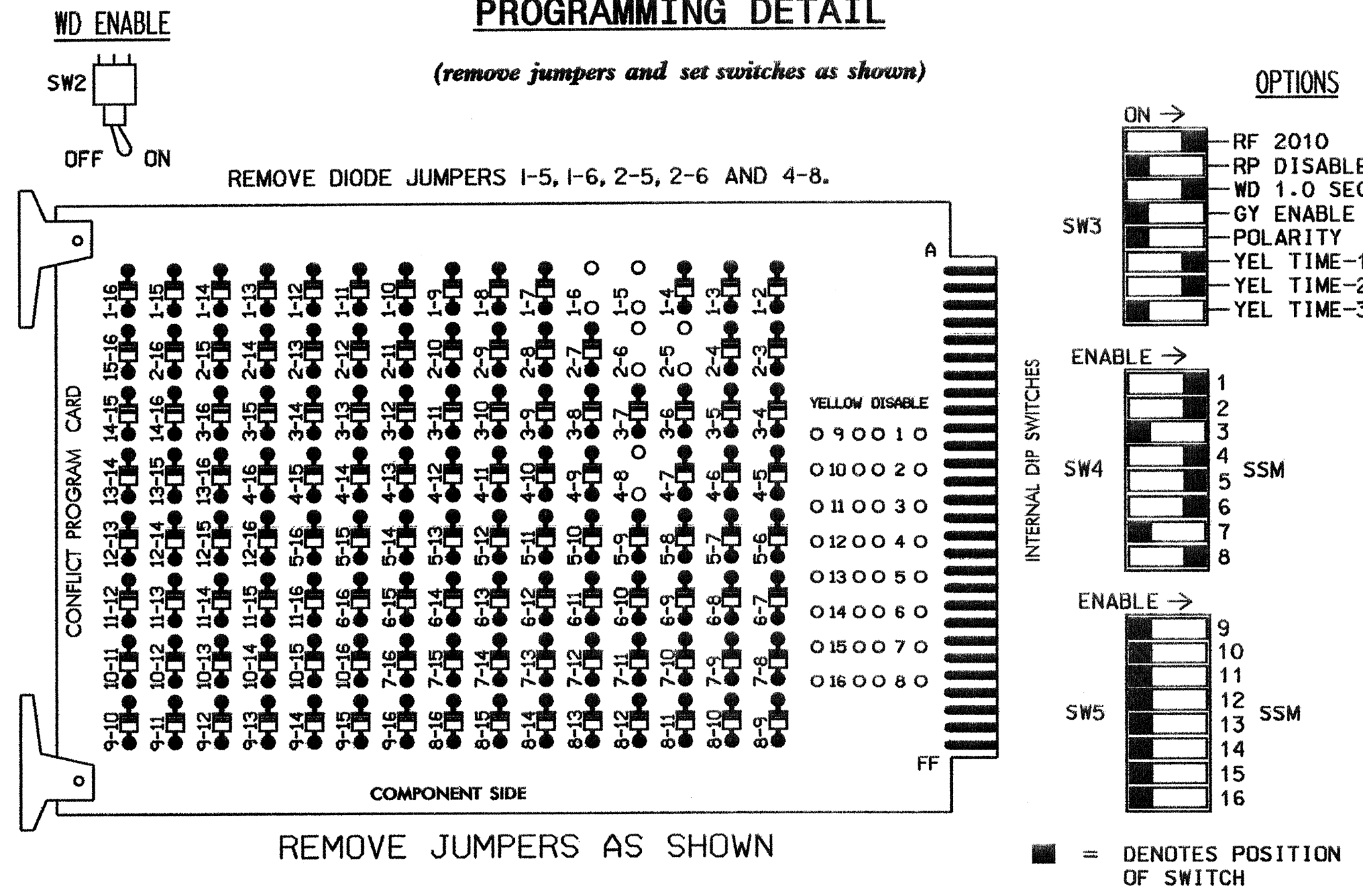


EDI MODEL 2010ECL CONFLICT MONITOR

PROGRAMMING DETAIL



NOTES

- TO PREVENT "FLASH-CONFLICT" PROBLEMS, INSERT RED FLASH PROGRAM BLOCKS FOR ALL UNUSED VEHICLE LOAD SWITCHES IN THE OUTPUT FILE. THE INSTALLER SHALL VERIFY THAT SIGNAL HEADS FLASH IN ACCORDANCE WITH THE SIGNAL PLANS.
- ENSURE THAT RED ENABLE IS ACTIVE AT ALL TIMES DURING NORMAL OPERATION. TO PREVENT RED FAILURES ON UNUSED MONITOR CHANNELS, TIE UNUSED RED MONITOR INPUTS 3,7,9,10, 11,12,13,14,15 & 16 TO LOAD SWITCH AC+ PER THE CABINET MANUFACTURER'S INSTRUCTIONS.
- PROGRAM CONTROLLER TO START UP IN PHASES 2 AND 6 GREEN.
- ENABLE SIMULTANEOUS GAP-OUT FEATURE, ON CONTROLLER UNIT, FOR ALL PHASES.
- PROGRAM PHASES 4 AND 8, ON CONTROLLER UNIT, FOR DUAL ENTRY.

FIELD CONNECTION HOOK-UP CHART

LOAD SWITCH NO.	S1	S2	S2P	S3	S4	S4P	S5	S6	S6P	S7	S8	S8P
PHASE	1	2	2 PED	3	4	4 PED	5	6	6 PED	7	8	8 PED
SIGNAL HEAD NO.	61	21,22	NU	NU	41,42	NU	21	61,62	NU	NU	81,82	NU
GREEN		130			103			136			109	
YELLOW		129			102			135			108	
RED	*	128			101		*	134			107	
RED ARROW												
YELLOW ARROW	126						132					
GREEN ARROW	127						133					

NU = NOT USED
 * DENOTES INSTALL LOAD RESISTOR. SEE LOAD RESISTOR INSTALLATION DETAIL THIS PAGE.

EQUIPMENT INFORMATION

CONTROLLER.....CONTRACTOR SUPPLIED 2070L
 CABINETCONTRACTOR SUPPLIED 332
 SOFTWAREECONOLITE OASIS
 CABINET MOUNT.....BASE
 OUTPUT FILE POSITIONS...12
 LOAD SWITCHES USED.....S1,S2,S4,S5,S6,S8
 PHASES USED.....1,2,4,5,6,8
 OVERLAPS.....NONE

BACK-UP PROTECTION PROGRAMMING DETAIL

(program controller as shown below)

- FROM MAIN MENU PRESS '2' (PHASE CONTROL), THEN '1' (PHASE CONTROL FUNCTIONS), SCROLL TO THE BOTTOM OF THE MENU AND ENABLE DYNAMIC/BACKUP CONTROL FUNCTIONS 1 AND 2.
- FROM PHASE CONTROL FUNCTIONS MENU PRESS '2' (DYNAMIC/BACKUP CONTROL FUNCTIONS).

DYNAMIC/BACKUP CONTROL FUNCTION #01
 OVERLAPS: ABCDEFGHIJKLMNP
 IF OVERLAPS ARE ACTIVE :
 OR PHASES: 12345678910111213141516
 IF PHASES ARE ON: X
 OMIT PHASES : X
 CALL PHASES : X

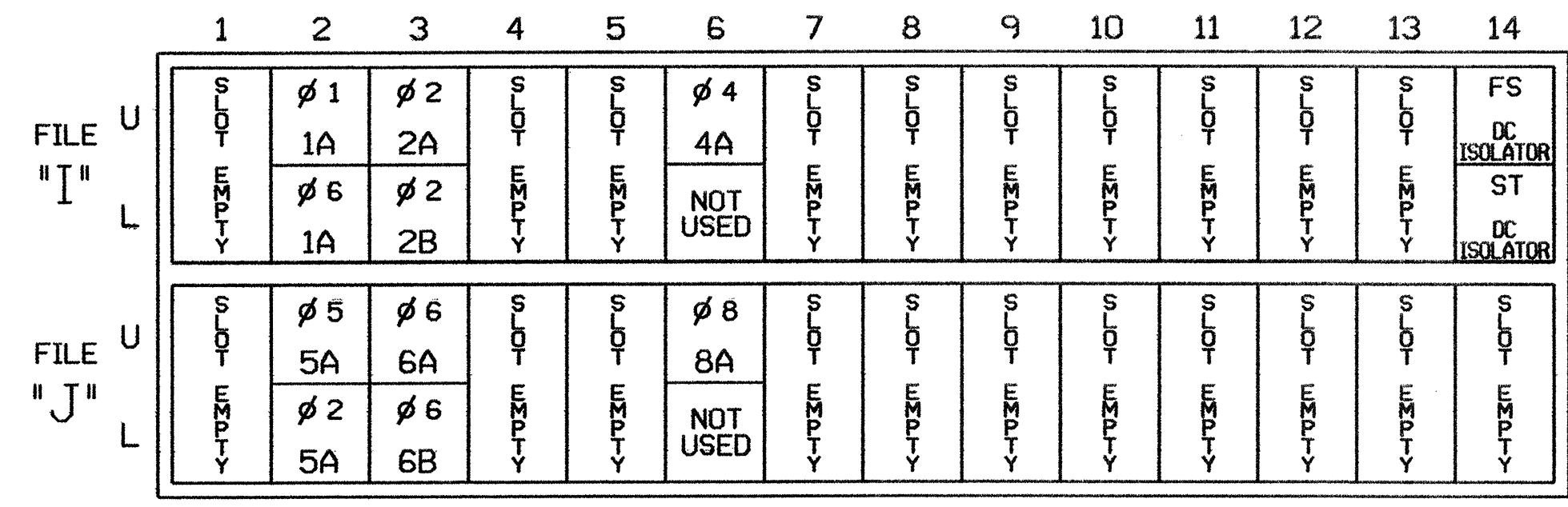
PRESS 'NEXT'

DYNAMIC/BACKUP CONTROL FUNCTION #02
 OVERLAPS: ABCDEFGHIJKLMNP
 IF OVERLAPS ARE ACTIVE :
 OR PHASES: 12345678910111213141516
 IF PHASES ARE ON: X
 OMIT PHASES : X
 CALL PHASES : X

BACKUP PROTECTION PROGRAMMING COMPLETE

INPUT FILE POSITION LAYOUT

(front view)



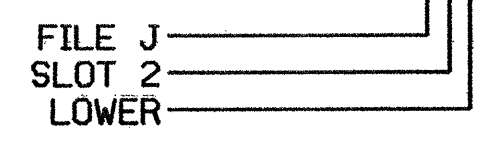
EX. : 1A, 2A, ETC. = LOOP NO.'S
 FS = FLASH SENSE
 ST = STOP TIME

INPUT FILE CONNECTION & PROGRAMMING CHART

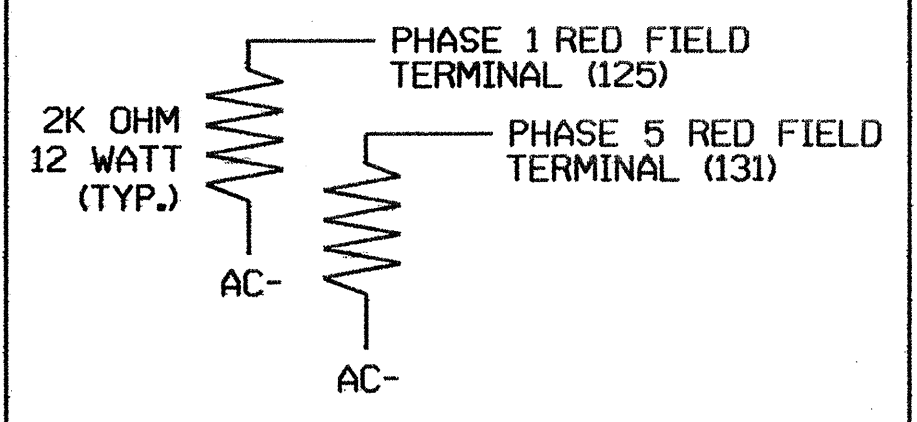
LOOP NO.	LOOP TERMINAL	INPUT FILE POS.	PIN NO.	INPUT ASSIGNMENT NO.	DETECTOR NO.	NEMA PHASE	CALL	EXTEND	FULL TIME DELAY	STRETCH TIME	DELAY TIME
1A ¹	TB2-5,6	I2U	39	1	2	1	Y	Y			20
	TB2-7,8	I2L	43	5	12	6	Y	Y			
2A	TB2-9,10	I3U	63	25	32	2	Y	Y		2.3	
2B	TB2-11,12	I3L	76	38	42	2	Y	Y			
4A	TB4-9,10	I6U	41	3	4	4	Y	Y			3
5A ²	TB3-5,6	J2U	40	2	6	5	Y	Y			20
	TB3-7,8	J2L	44	6	16	2	Y	Y			
6A	TB3-9,10	J3U	64	26	36	6	Y	Y		2.3	
6B	TB3-11,12	J3L	77	39	46	6	Y	Y			
8A	TB5-9,10	I6U	42	4	8	8	Y	Y			5

¹ ADD JUMPERS FROM TB2-5 TO TB2-7, AND FROM TB2-6 TO TB2-8.
² ADD JUMPERS FROM TB3-5 TO TB3-7, AND FROM TB3-6 TO TB3-8.

INPUT FILE POSITION LEGEND: J2L



LOAD RESISTOR INSTALLATION DETAIL



NOTE: THE PURPOSE OF THESE RESISTORS IS TO LOAD THE CHANNEL RED MONITOR INPUTS IN ORDER FOR THE SIGNAL SEQUENCE MONITOR TO USE THE FULL SIGNAL SEQUENCE MONITORING CAPABILITY ON CHANNELS THAT DO NOT USE THE RED DISPLAY IN THE FIELD.

SIGNAL UPGRADE - TEMPORARY 1

ELECTRICAL AND PROGRAMMING DETAILS FOR:

Prepared in the Offices of:

222 N. McDowell St., Raleigh, NC 27603

US 70 & NC 801
 AT
 NC 801 & SR 1958

DIVISION 09 ROWAN COUNTY S. OF BARBER

PLAN DATE: JULY 2004 REVIEWED BY: R. HICKMAN

PREPARED BY: JAMES PETERSON REVIEWED BY:

REVISIONS INIT. DATE

SEAL
 GEORGE C. BROWN
 ENGINEER
 SEAL 022013

THIS ELECTRICAL DETAIL IS FOR THE SIGNAL DESIGN: 09-0708T1
 DESIGNED: JUNE 2004
 SEALED: 7/20/04
 REVISED:

122 N. McDowell St., Raleigh, NC 27603

SIG. INVENTORY NO. 09-0708T1