

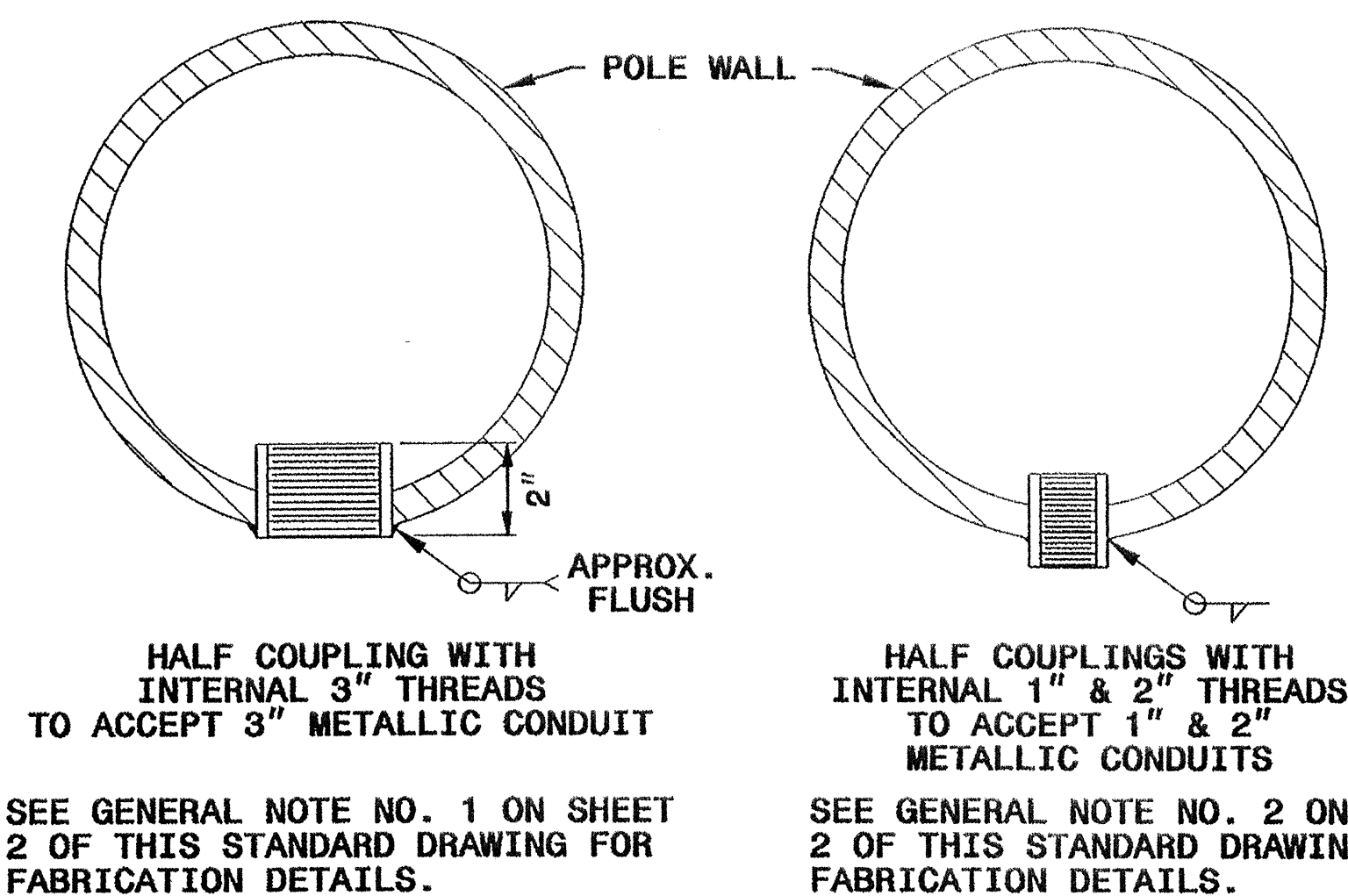
STATE OF
NORTH CAROLINA
DEPT. OF TRANSPORTATION
DIVISION OF HIGHWAYS
RALEIGH, N.C.

9-03

ENGLISH STANDARD DRAWING FOR
METAL POLES
MISCELLANEOUS DETAILS

SHEET 3 OF 3
1740.01

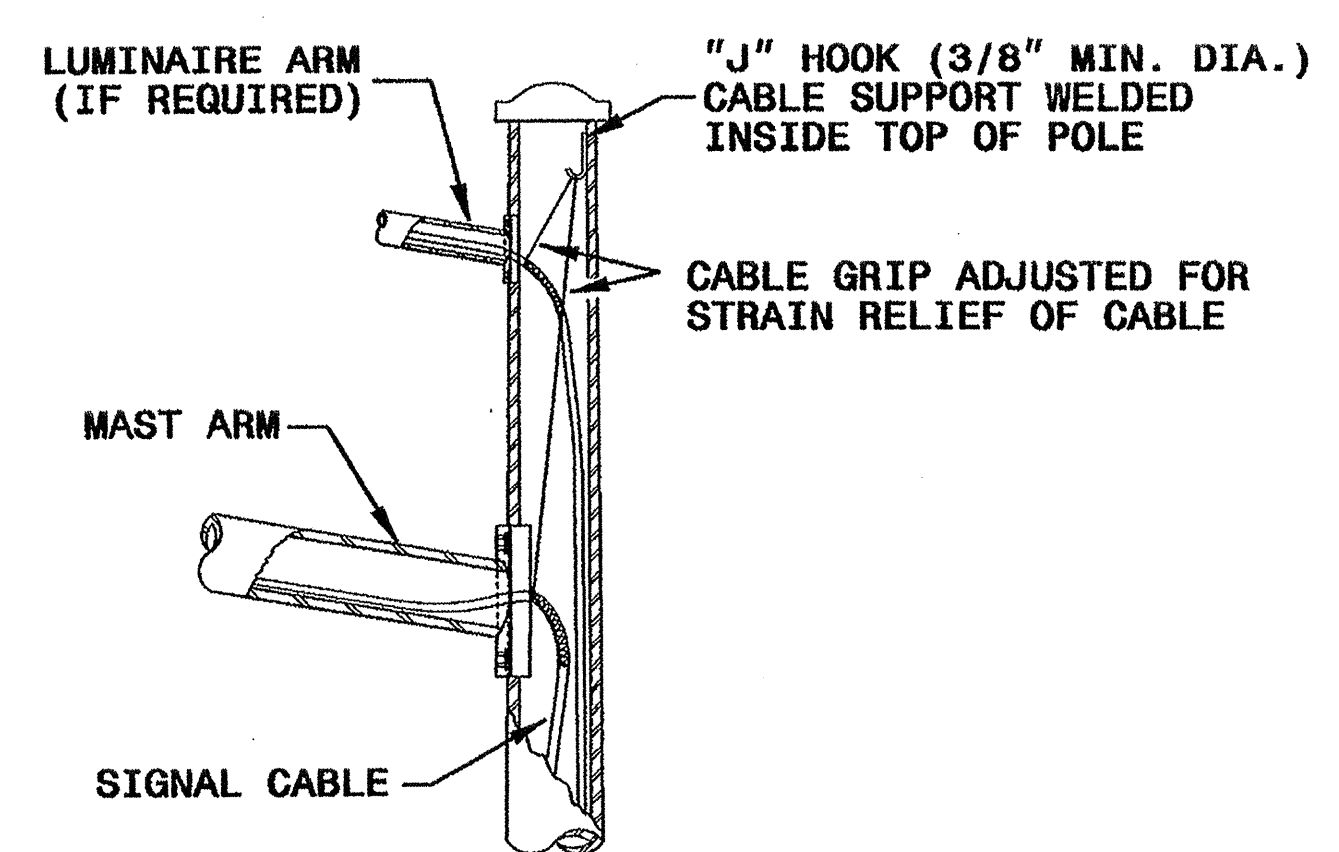
MOUNTING POINT DETAIL



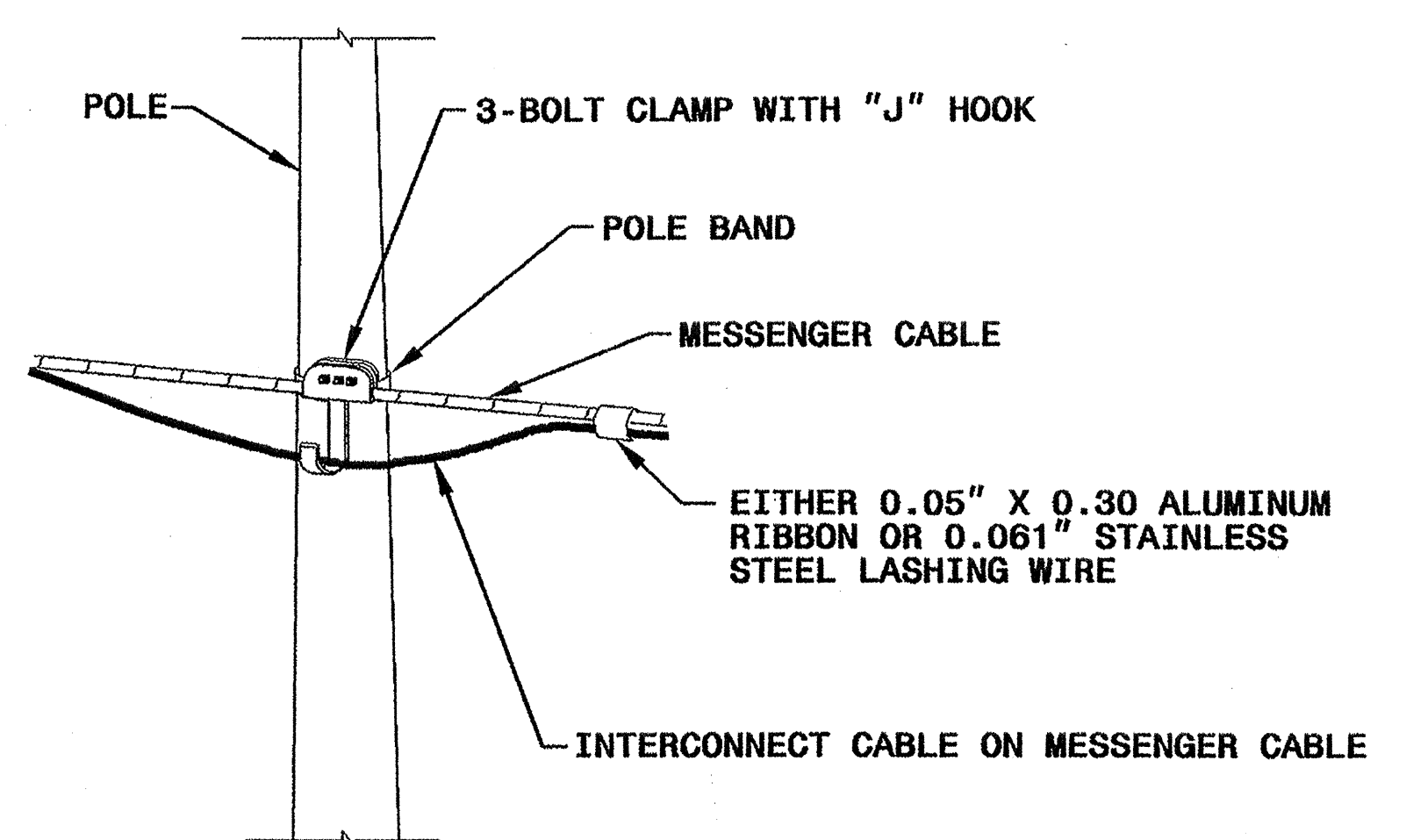
SEE GENERAL NOTE NO. 1 ON SHEET 2 OF THIS STANDARD DRAWING FOR FABRICATION DETAILS.

SEE GENERAL NOTE NO. 2 ON SHEET 2 OF THIS STANDARD DRAWING FOR FABRICATION DETAILS.

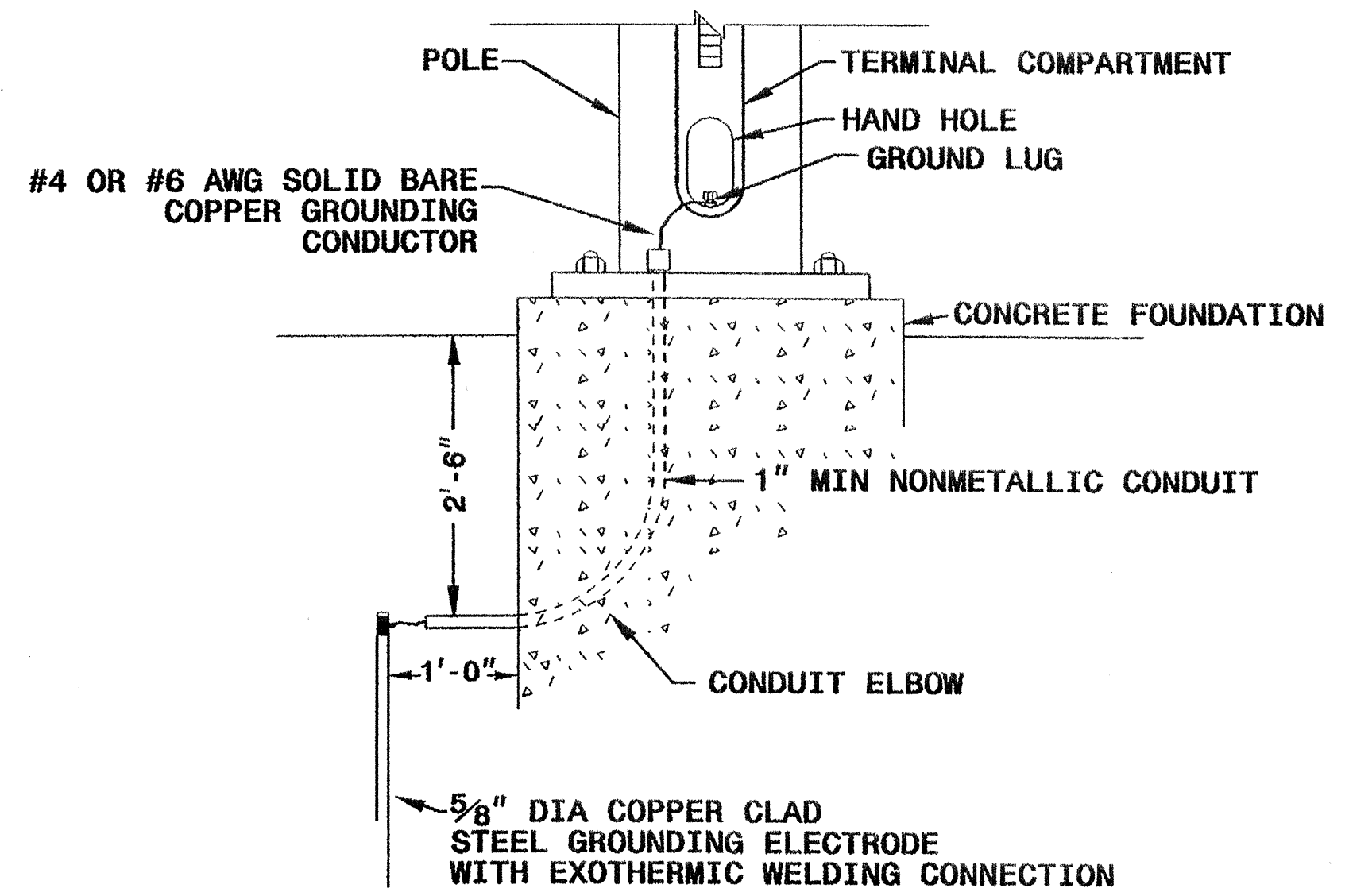
CABLE STRAIN RELIEF



ATTACHMENT OF CABLE TO INTERMEDIATE METAL POLE



METAL POLE GROUNDING DETAIL



STATE OF
NORTH CAROLINA
DEPT. OF TRANSPORTATION
DIVISION OF HIGHWAYS
RALEIGH, N.C.

9-03

ENGLISH STANDARD DRAWING FOR
METAL POLES
MISCELLANEOUS DETAILS

SHEET 3 OF 3
1740.01

<p>Structural Engineer</p> <p><i>D. Sarma</i> 9/19/03 SIGNATURE DATE</p>	<p>Electrical Engineer</p> <p><i>Milton I. Dean</i> 9/22/03 SIGNATURE DATE</p>
--	--

Standard Drawings
Traffic Management and Signal Systems Unit
122 N. McDowell St., Raleigh, NC 27603

See Plate for Title

Original: 2002 Standards

19-SEP-2003 14:27
w:\pco\les-uni\hmc\kpr\pse03\roadway\standard\sigsteng\1shp\en_sheets\174001_second.dgn
p:\ex\std