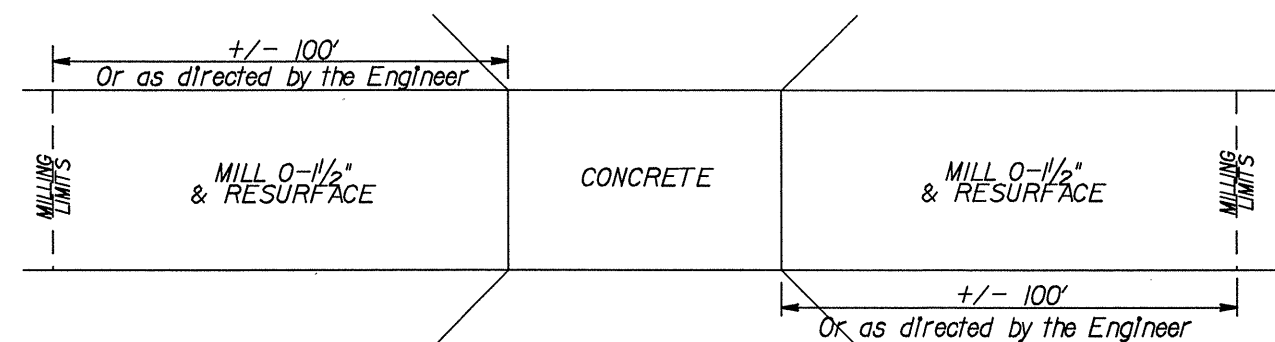
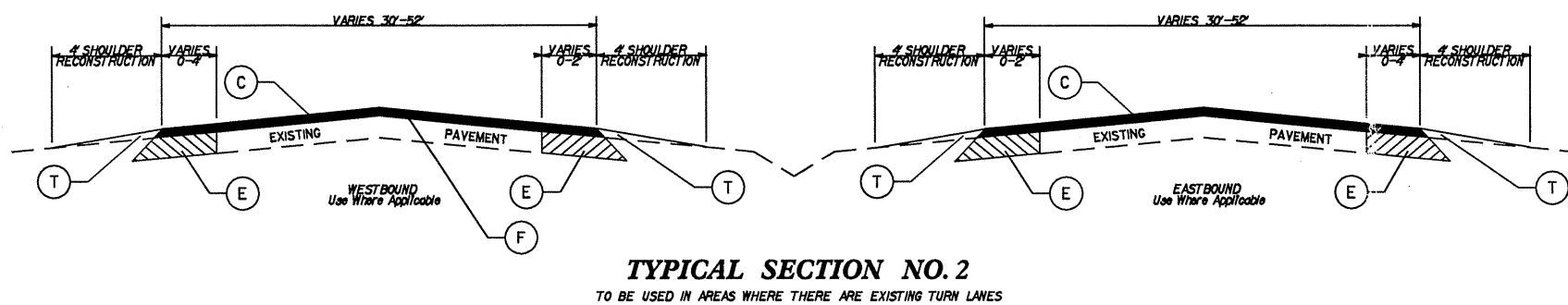
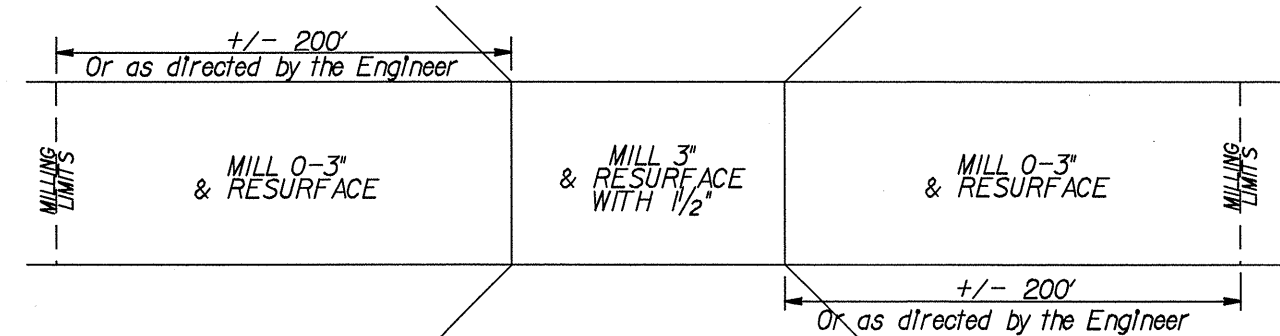
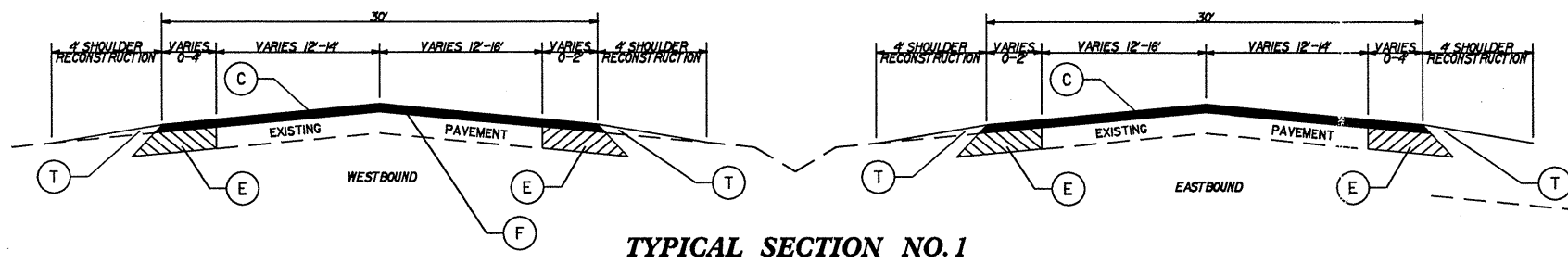


RICHMOND & SCOTLAND COUNTIES

TYPICAL SECTIONS

WBS ELEMENT: 37625
STATE ROAD NUMBER: US 74



PAVEMENT SCHEDULE	
C	PROP. APPROX. 1 1/2" ASPHALT CONCRETE SURFACE COURSE, TYPE S9.5C, AT AN AVERAGE RATE OF 168 LBS. PER SQ. YD.
E	PROP. APPROX. 5" ASPHALT CONCRETE BASE COURSE, TYPE B25.0C, AT AN AVERAGE RATE OF 570 LBS. PER SQ. YD.
F	ASPHALT SURFACE TREATMENT, STRAIGHT SEAL
T	EARTH MATERIAL.