

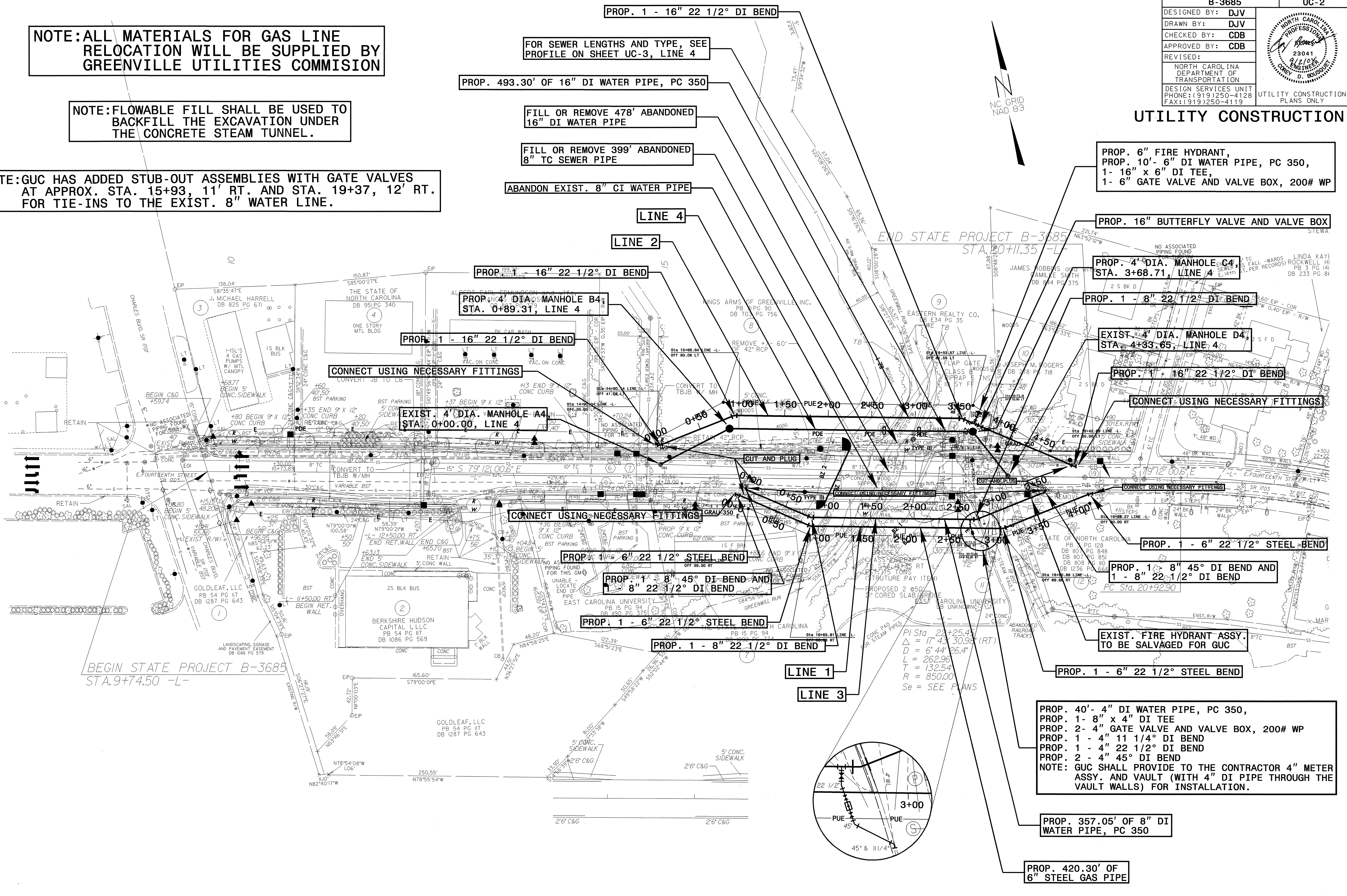
PROJECT REFERENCE NO.	SHEET NO.
B-3685	UC-2
DESIGNED BY: DJV	
DRAWN BY: DJV	
CHECKED BY: CDB	
APPROVED BY: CDB	
REVISED:	
NORTH CAROLINA DEPARTMENT OF TRANSPORTATION DESIGN SERVICES UNIT PHONE: (919)250-4128 FAX: (919)250-4119	
UTILITY CONSTRUCTION PLANS ONLY	

UTILITY CONSTRUCTION

NOTE: ALL MATERIALS FOR GAS LINE RELOCATION WILL BE SUPPLIED BY GREENVILLE UTILITIES COMMISSION

NOTE: FLOWABLE FILL SHALL BE USED TO BACKFILL THE EXCAVATION UNDER THE CONCRETE STEAM TUNNEL.

NOTE: GUC HAS ADDED STUB-OUT ASSEMBLIES WITH GATE VALVES AT APPROX. STA. 15+93, 11' RT. AND STA. 19+37, 12' RT. FOR TIE-INS TO THE EXIST. 8" WATER LINE.



PROP. 1 - 16" 22 1/2° DI BEND

FOR SEWER LENGTHS AND TYPE, SEE PROFILE ON SHEET UC-3, LINE 4

PROP. 493.30' OF 16" DI WATER PIPE, PC 350

FILL OR REMOVE 478' ABANDONED 16" DI WATER PIPE

FILL OR REMOVE 399' ABANDONED 8" TC SEWER PIPE

ABANDON EXIST. 8" CI WATER PIPE

LINE 4

LINE 2

PROP. 1 - 16" 22 1/2° DI BEND

PROP. 4" DIA. MANHOLE B4 STA. 0+89.31, LINE 4

PROP. 1 - 16" 22 1/2° DI BEND

CONNECT USING NECESSARY FITTINGS

EXIST. 4" DIA. MANHOLE A4 STA. 0+00.00, LINE 4

CONNECT USING NECESSARY FITTINGS

PROP. 1 - 6" 22 1/2° STEEL BEND

PROP. 1 - 8" 45° DI BEND AND 1 - 8" 22 1/2° DI BEND

PROP. 1 - 6" 22 1/2° STEEL BEND

PROP. 1 - 8" 22 1/2° DI BEND

LINE 1

LINE 3

PROP. 6" FIRE HYDRANT, PROP. 10'-6" DI WATER PIPE, PC 350, 1- 16" x 6" DI TEE, 1- 6" GATE VALVE AND VALVE BOX, 200# WP

PROP. 16" BUTTERFLY VALVE AND VALVE BOX

PROP. 4" DIA. MANHOLE C4 STA. 3+68.71, LINE 4

PROP. 1 - 8" 22 1/2° DI BEND

EXIST. 4" DIA. MANHOLE D4 STA. 4+33.65, LINE 4

PROP. 1 - 16" 22 1/2° DI BEND

CONNECT USING NECESSARY FITTINGS

PROP. 1 - 6" 22 1/2° STEEL BEND

PROP. 1 - 8" 45° DI BEND AND 1 - 8" 22 1/2° DI BEND

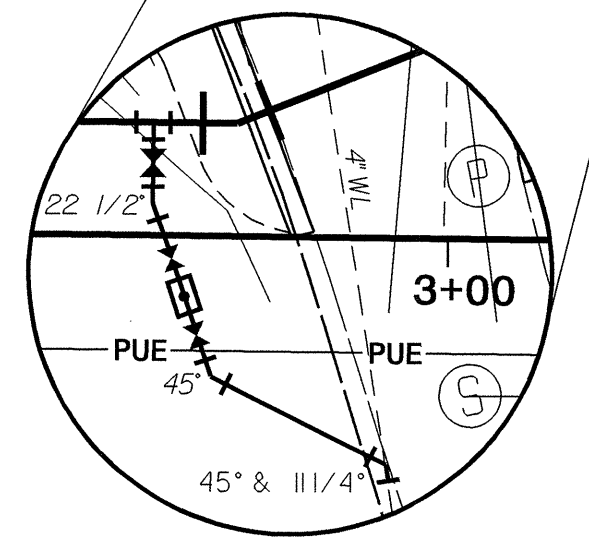
EXIST. FIRE HYDRANT ASSY. TO BE SALVAGED FOR GUC

PROP. 1 - 6" 22 1/2° STEEL BEND

PROP. 40'-4" DI WATER PIPE, PC 350,
 PROP. 1- 8" x 4" DI TEE
 PROP. 2- 4" GATE VALVE AND VALVE BOX, 200# WP
 PROP. 1 - 4" 11 1/4° DI BEND
 PROP. 1 - 4" 22 1/2° DI BEND
 PROP. 2 - 4" 45° DI BEND
 NOTE: GUC SHALL PROVIDE TO THE CONTRACTOR 4" METER ASSY. AND VAULT (WITH 4" DI PIPE THROUGH THE VAULT WALLS) FOR INSTALLATION.

PROP. 357.05' OF 8" DI WATER PIPE, PC 350

PROP. 420.30' OF 6" STEEL GAS PIPE



02-SEP-2004 12:45 Ut:\Projects\B3685s4_UC2.ut.psh.dgn
 R:\Utilities\Utility\B3685s4_UC2.dwg
 8/17/99
 02-SEP-2004 12:45 Ut:\Projects\B3685s4_UC2.ut.psh.dgn
 R:\Utilities\Utility\B3685s4_UC2.dwg