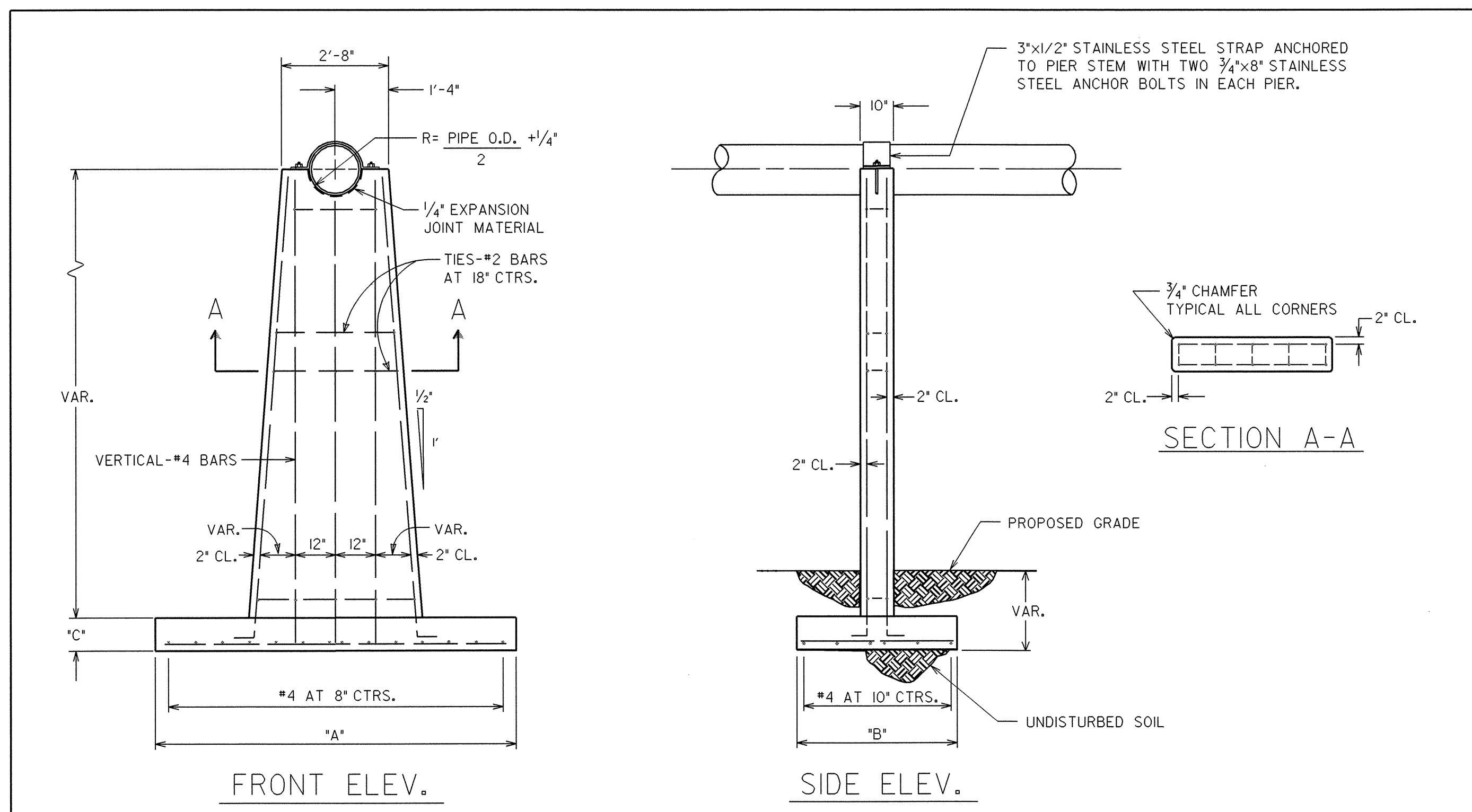


UTILITY CONSTRUCTION

MAXIMUM TRENCH WIDTH AT TOP OF PIPE

NOMINAL PIPE SIZE (INCHES)	TRENCH WIDTH (INCHES)	NOMINAL PIPE SIZE (INCHES)	TRENCH WIDTH (INCHES)
4	28	20	44
6	30	24	48
8	32	30	54
10	34	36	60
12	36	42	66
14	38	48	72
16	40	54	78
18	42		

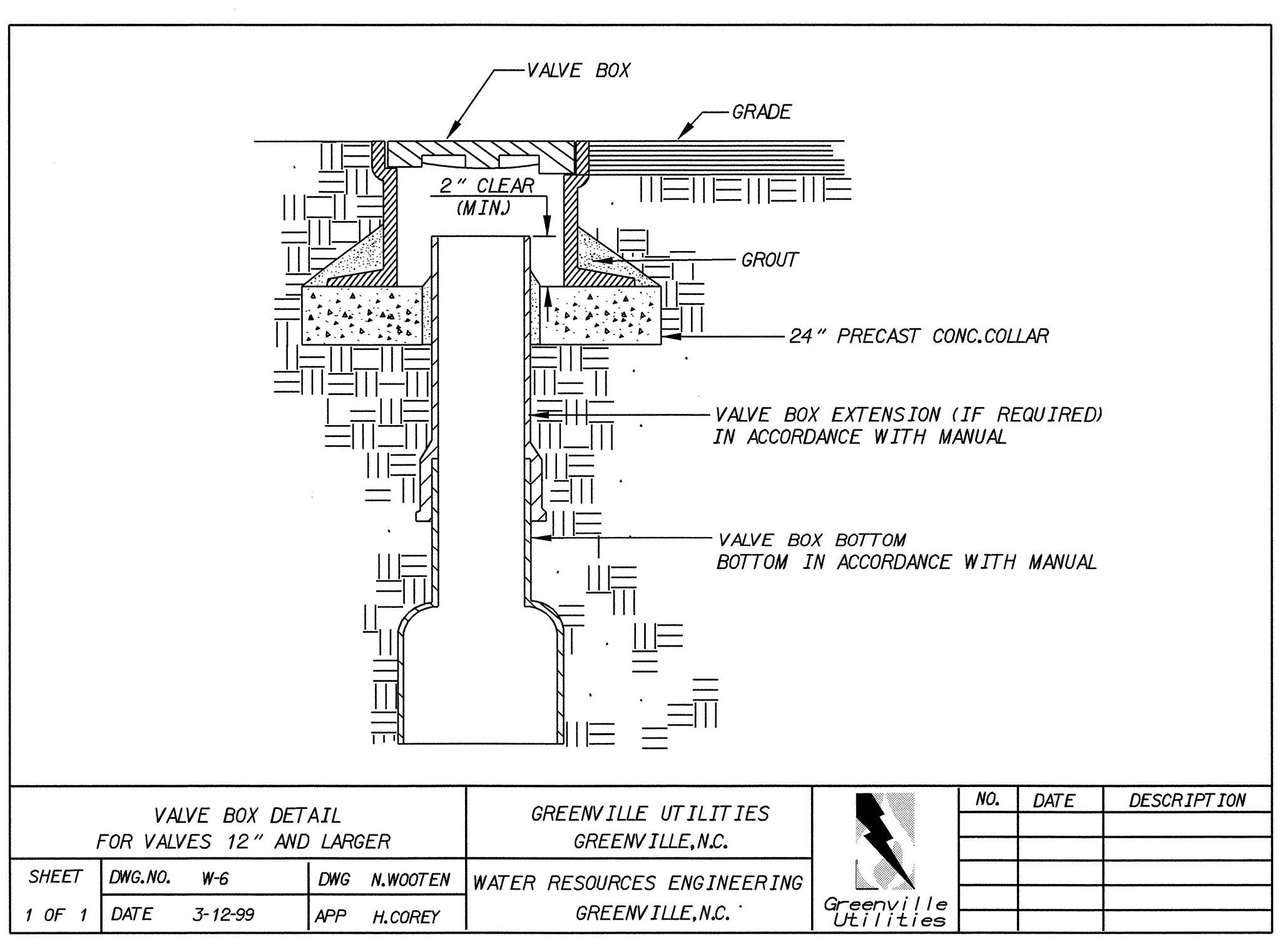
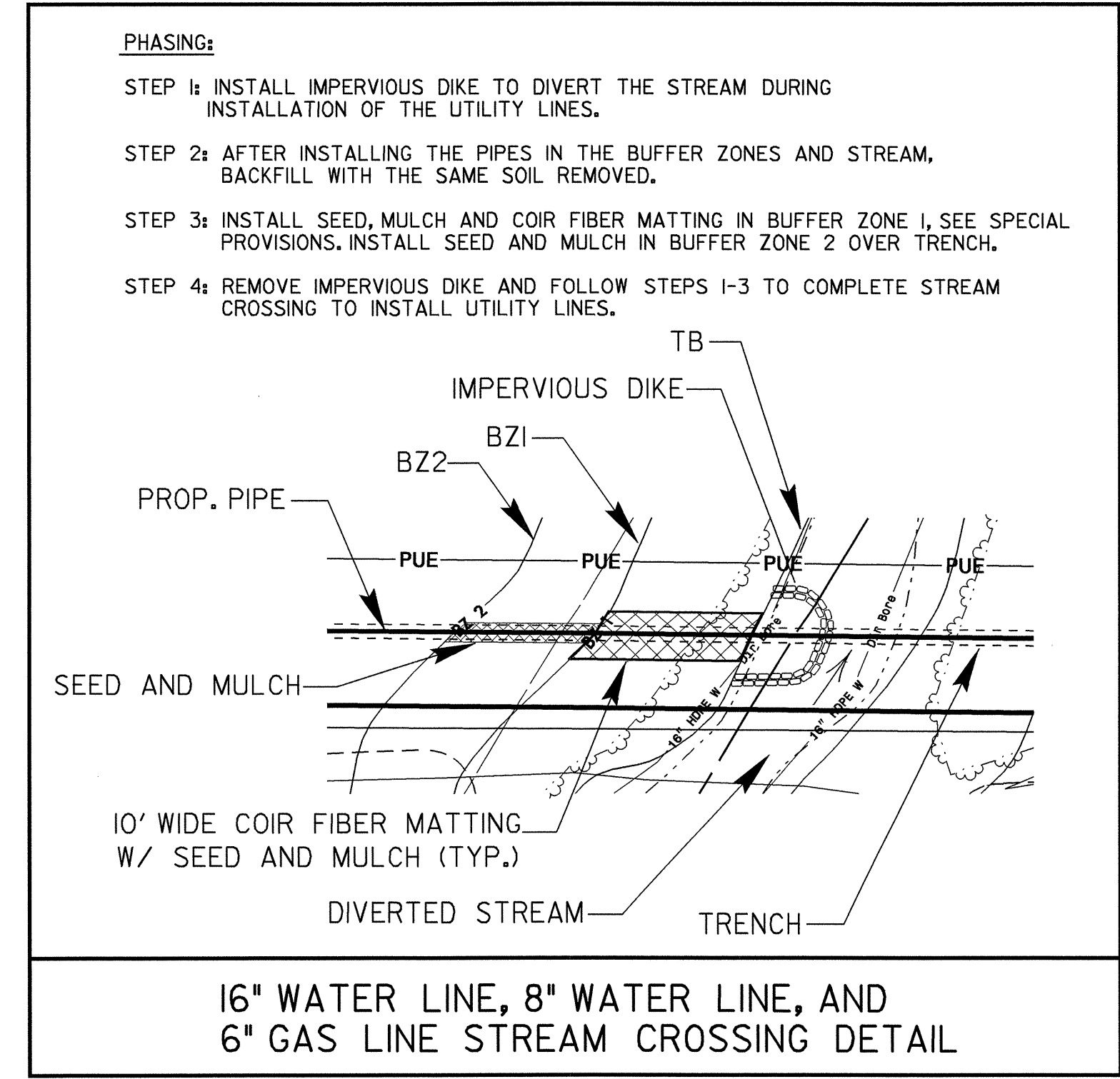
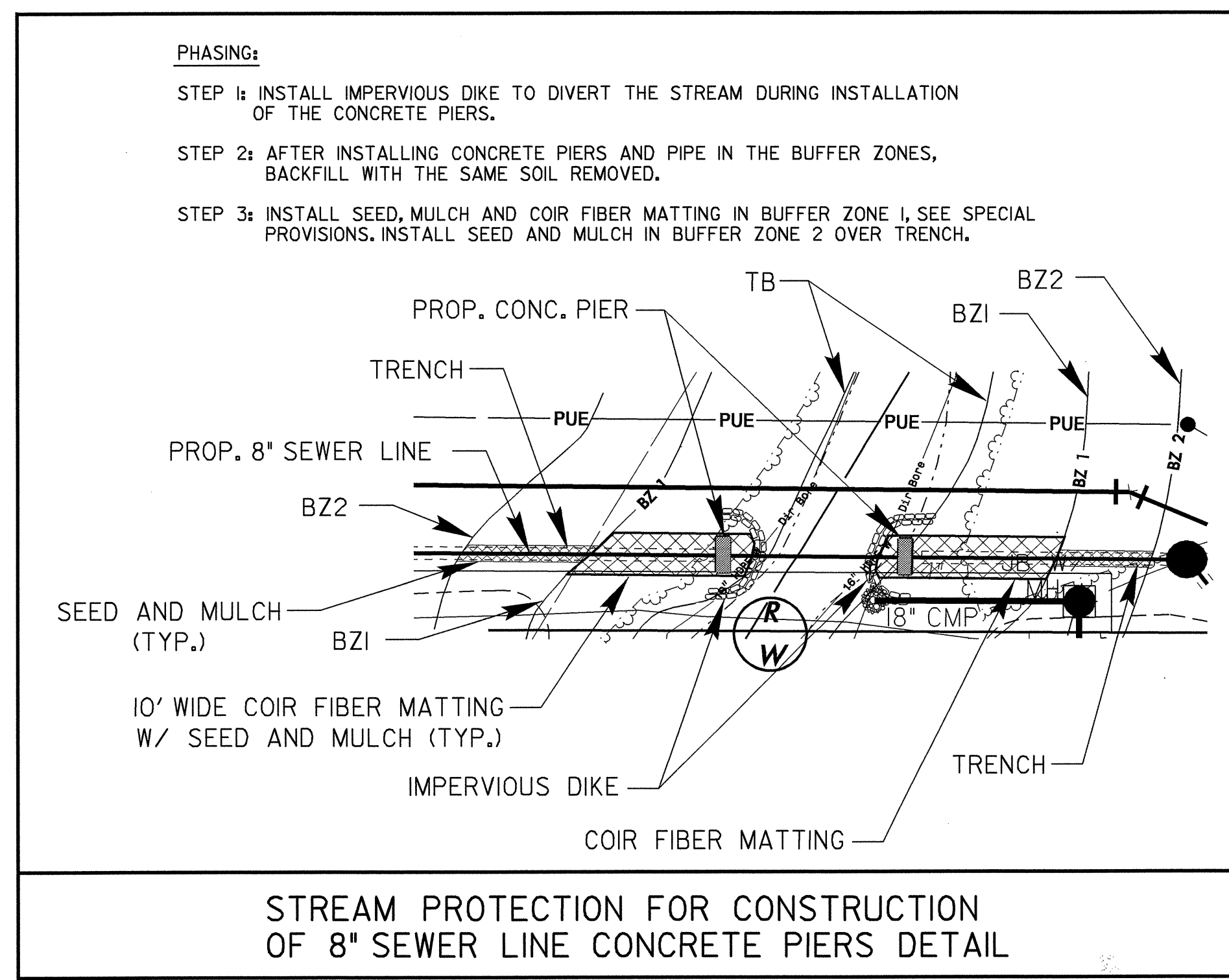
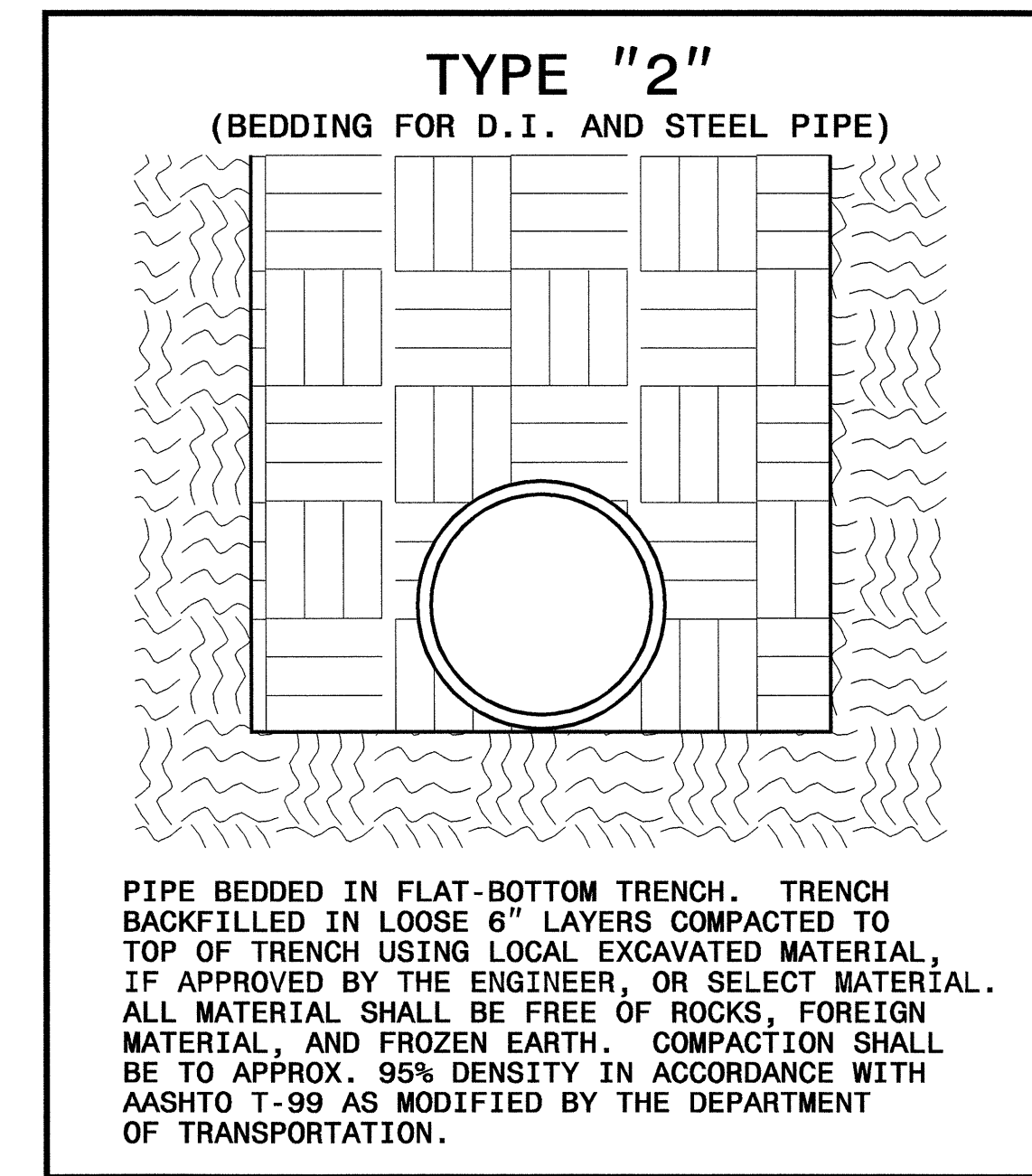
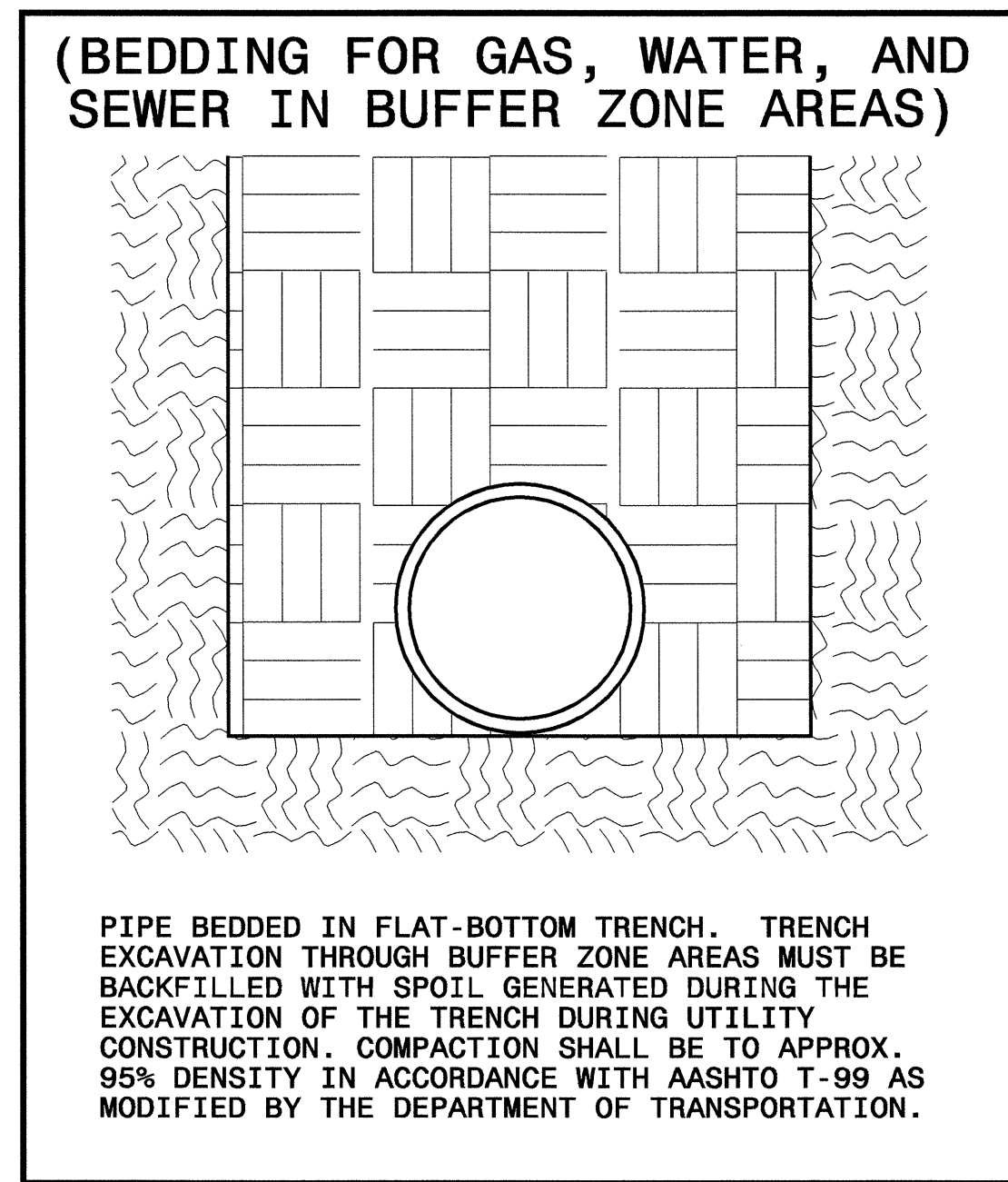


FOOTING DIMENSIONS

PIER HEIGHT	"A"	"B"	"C"
0' TO 5'	7'-0"	2'-4"	10"
5' TO 10'	8'-6"	3'-0"	10"
10' TO 15'	9'-0"	4'-0"	10"

- GENERAL NOTES:**
1. ALL CONCRETE REINFORCING SHALL BE EPOXY COATED.
 2. ALL CAST-IN-PLACE CONCRETE SHALL BE CLASS 'A'.
 3. ELEVATION OF BOTTOM OF FOOTING SHALL BE DETERMINED BY THE ENGINEER.
 4. NO CONCRETE SHALL BE PLACED UNTIL FORMS AND REINFORCING STEEL IS INSPECTED BY THE ENGINEER.

PIER DETAIL
4" THRU 16" PIPE



8/17/99
02-SEP-2004 12:17
R:\Utilities\Drawings\UC4\UC4-UC5.dwg
UC4-UC5.dwg