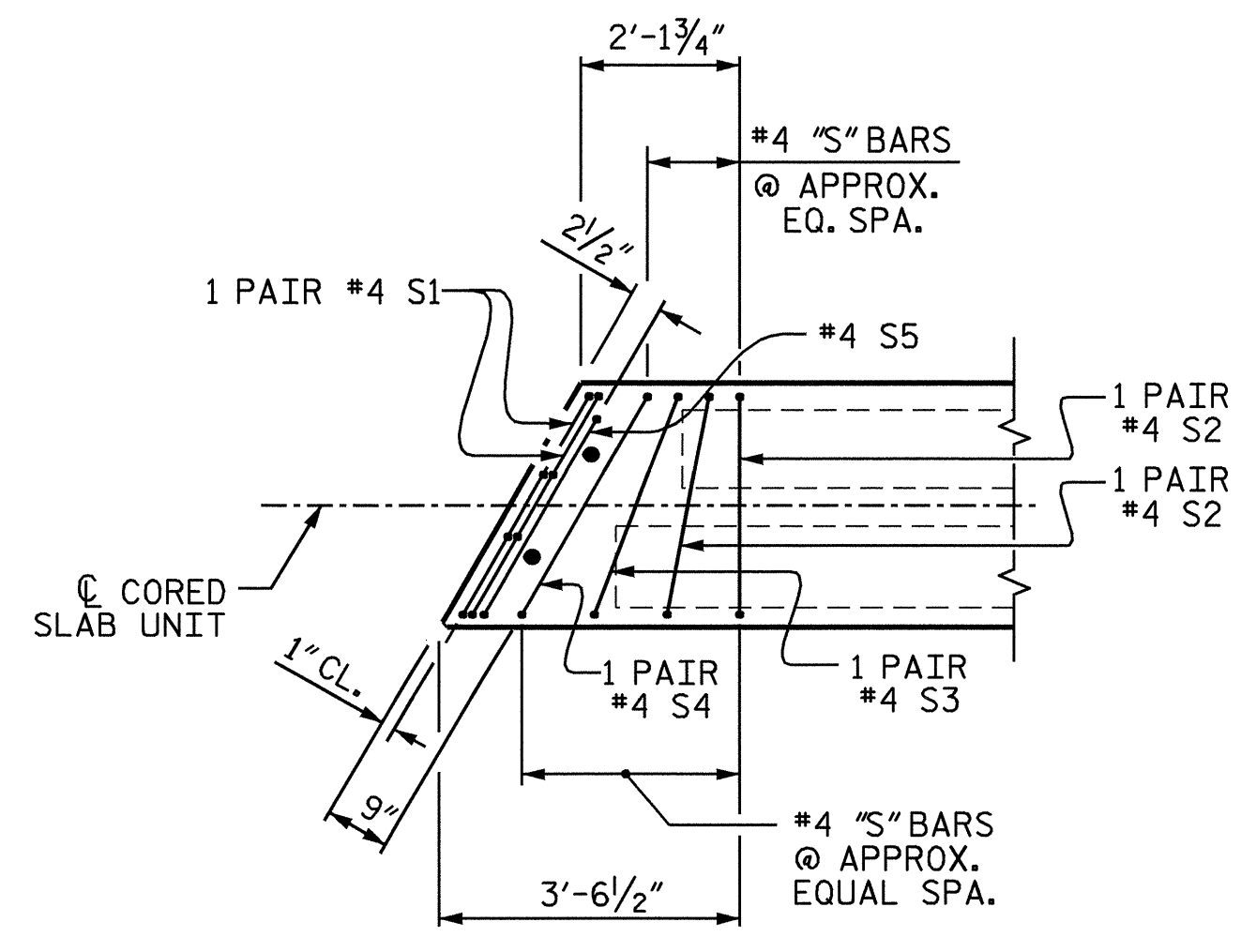
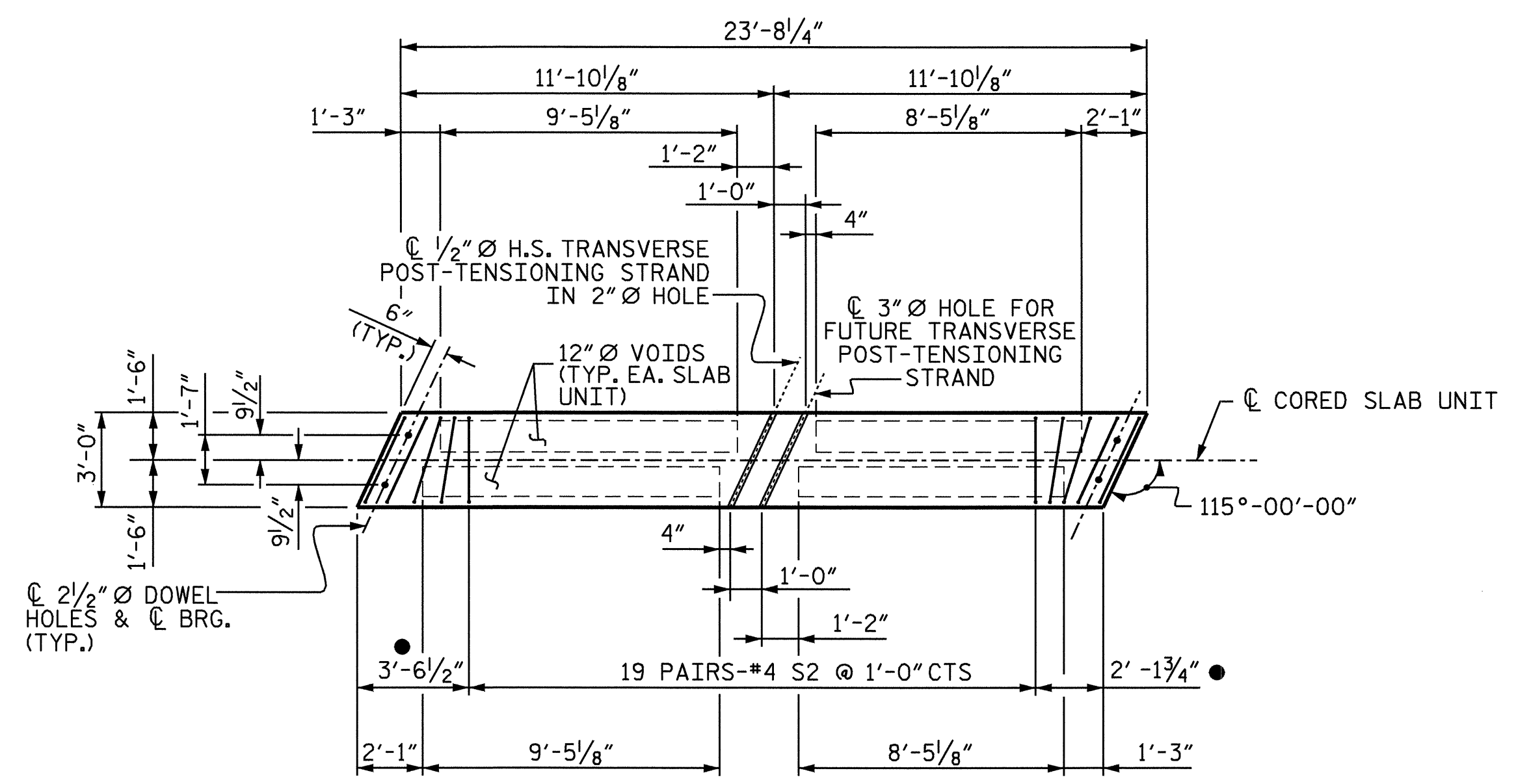


**PLAN OF SPAN "A" & "C"**  
 SPAN A SHOWN  
 SPAN C SIMILAR



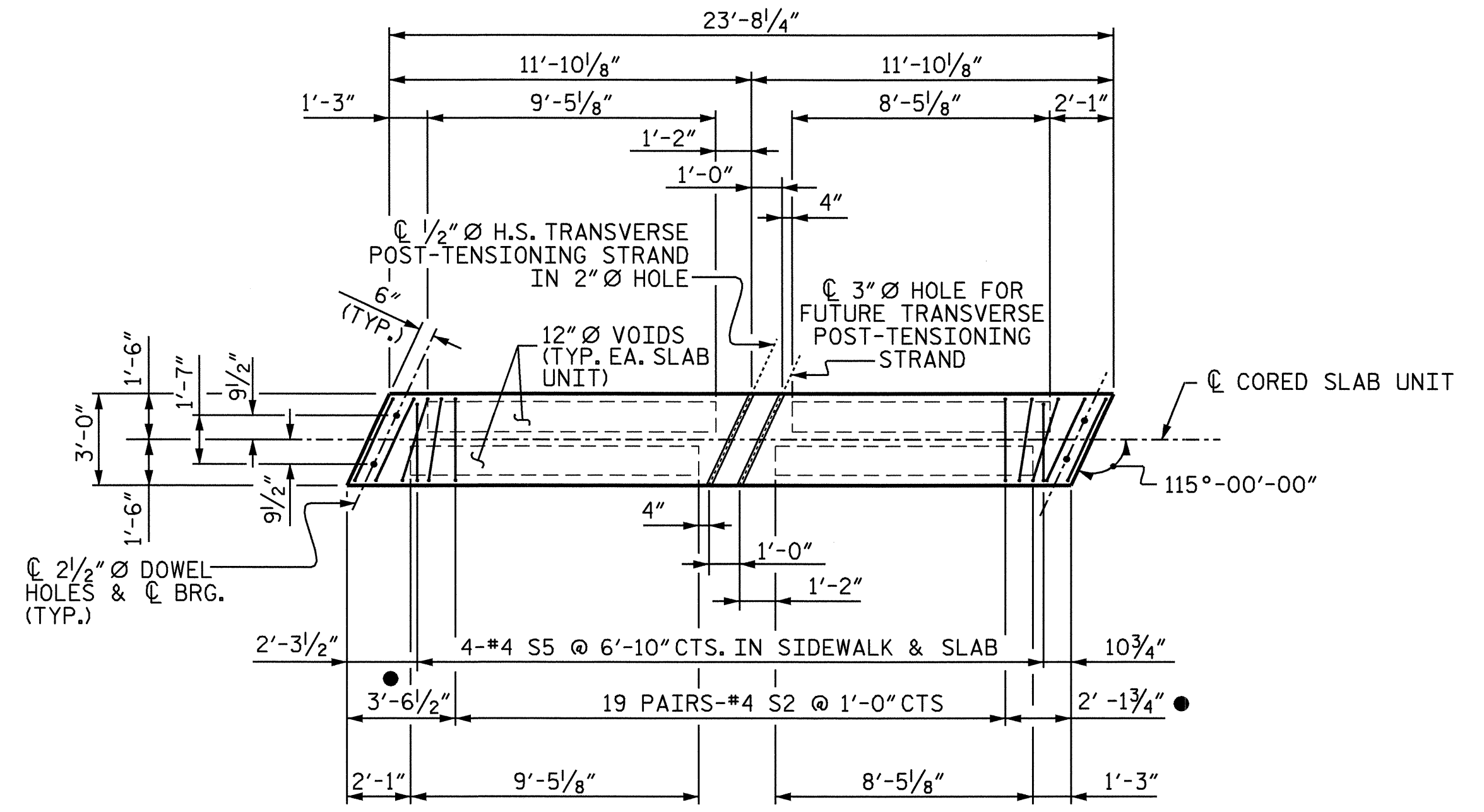
**DETAIL "A"**

TYPE I OR II SECTION SHOWN-  
 TYPE III SECTION SIMILAR  
 EXCEPT OMIT S5 BARS  
 (TYP. EA. END)



**PLAN OF TYPE III CORED SLAB UNIT**

● FOR PLACEMENT OF #4 "S" BARS, SEE DETAIL "A".



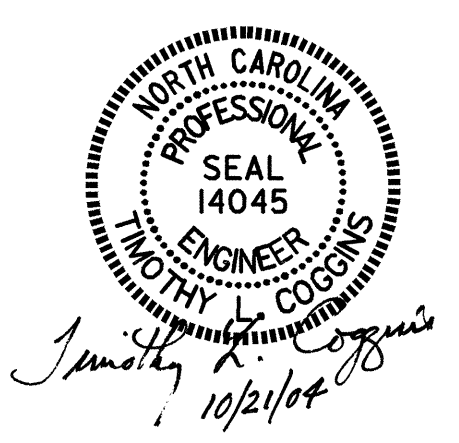
**PLAN OF TYPE I & TYPE II CORED SLAB UNIT**

● FOR PLACEMENT OF #4 "S" BARS, SEE DETAIL "A".

PROJECT NO. B-3685  
PITT COUNTY  
 STATION: 17+47.50 -L-

STATE OF NORTH CAROLINA  
 DEPARTMENT OF TRANSPORTATION  
 RALEIGH

**PLAN OF SPAN A  
 & SPAN C**



DRAWN BY: PEGGY ADKINS DATE: 8-03  
 CHECKED BY: T. AVERETTE DATE: 8-04

REVISIONS						SHEET NO.	
NO.	BY:	DATE:	NO.	BY:	DATE:	S-5	
1			3			TOTAL SHEETS	
2			4			27	