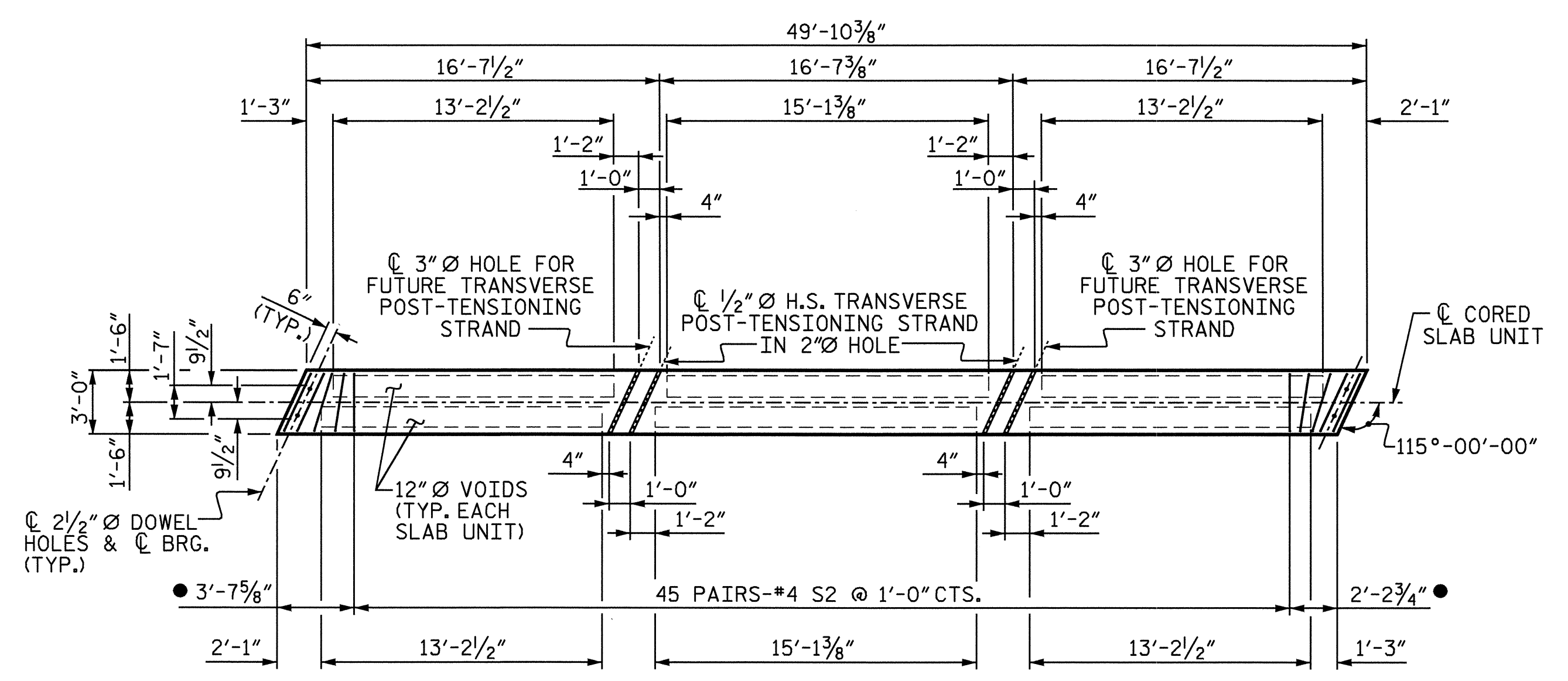
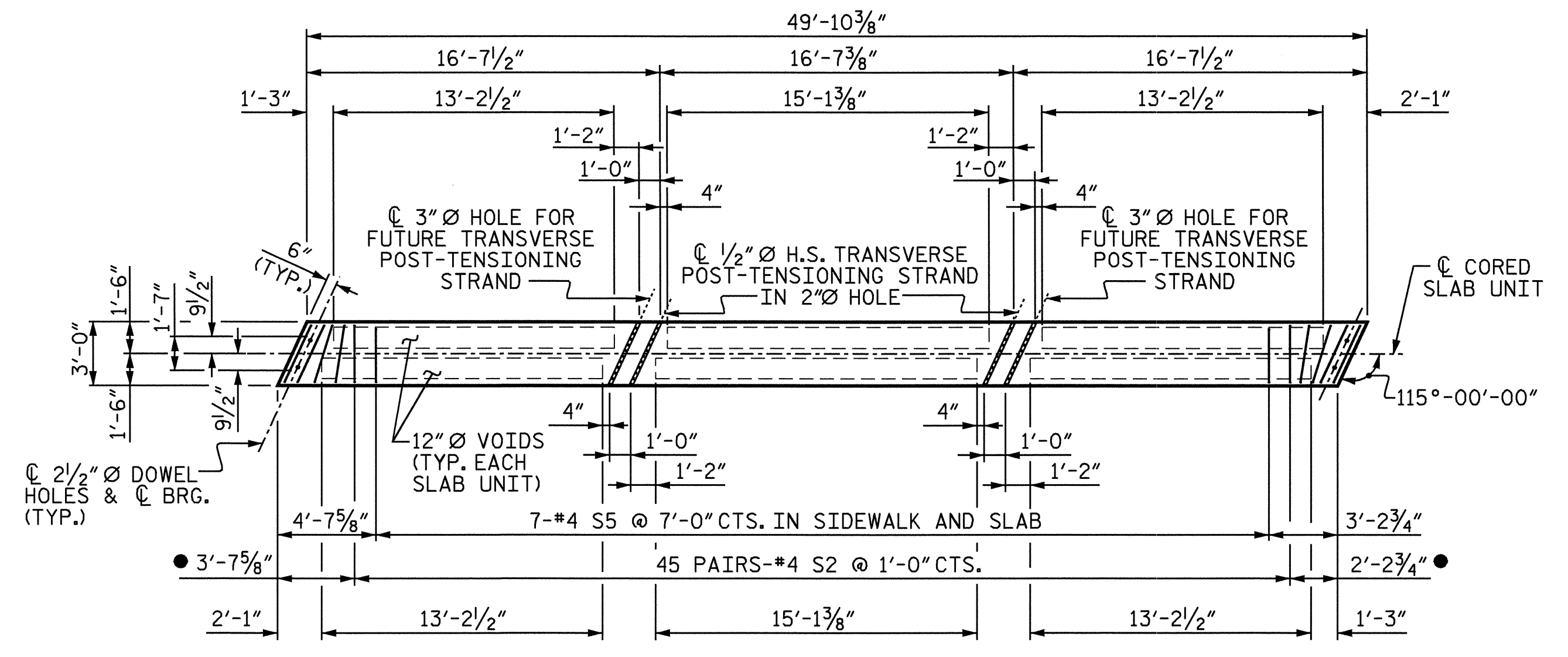


PLAN OF SPAN B



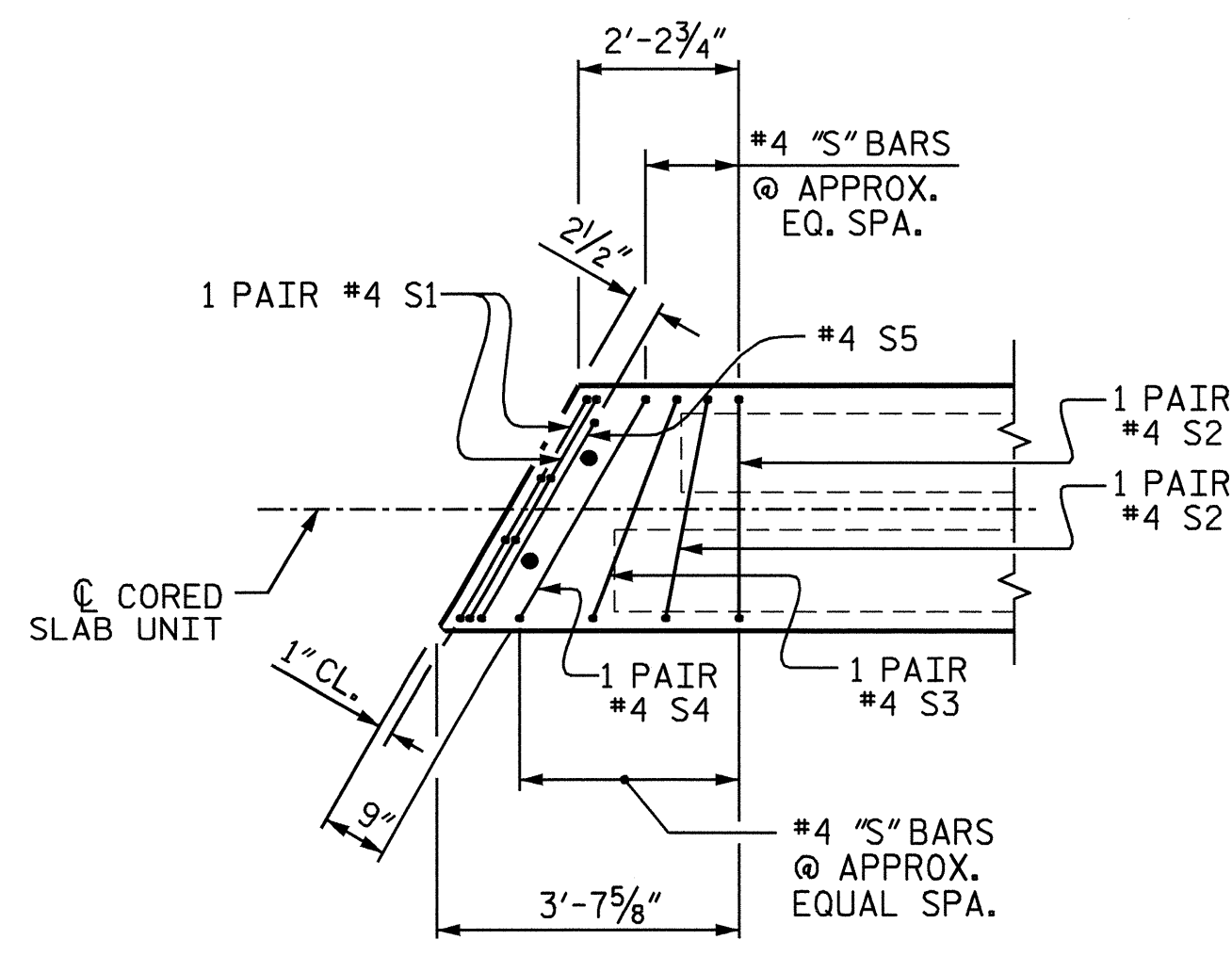
PLAN OF TYPE III CORED SLAB UNIT

● FOR PLACEMENT OF #4 "S" BARS, SEE DETAIL "A".



PLAN OF TYPE I & TYPE II CORED SLAB UNIT

● FOR PLACEMENT OF #4 "S" BARS, SEE DETAIL "A".



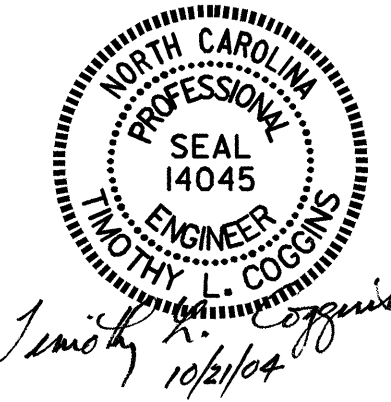
DETAIL "A"

TYPE I OR II SECTION SHOWN -
 TYPE III SECTION SIMILAR
 EXCEPT OMIT S5 BARS
 (TYP. EA. END)

PROJECT NO. B-3685
PITT COUNTY
 STATION: 17+47.50 -L-

STATE OF NORTH CAROLINA
 DEPARTMENT OF TRANSPORTATION
 RALEIGH

PLAN OF SPAN B



DRAWN BY: PEGGY ADKINS DATE: 8-03
 CHECKED BY: I. AVERETTE DATE: 8-04

REVISIONS						SHEET NO.	
NO.	BY:	DATE:	NO.	BY:	DATE:	S-6	
1			3			TOTAL SHEETS	
2			4			27	