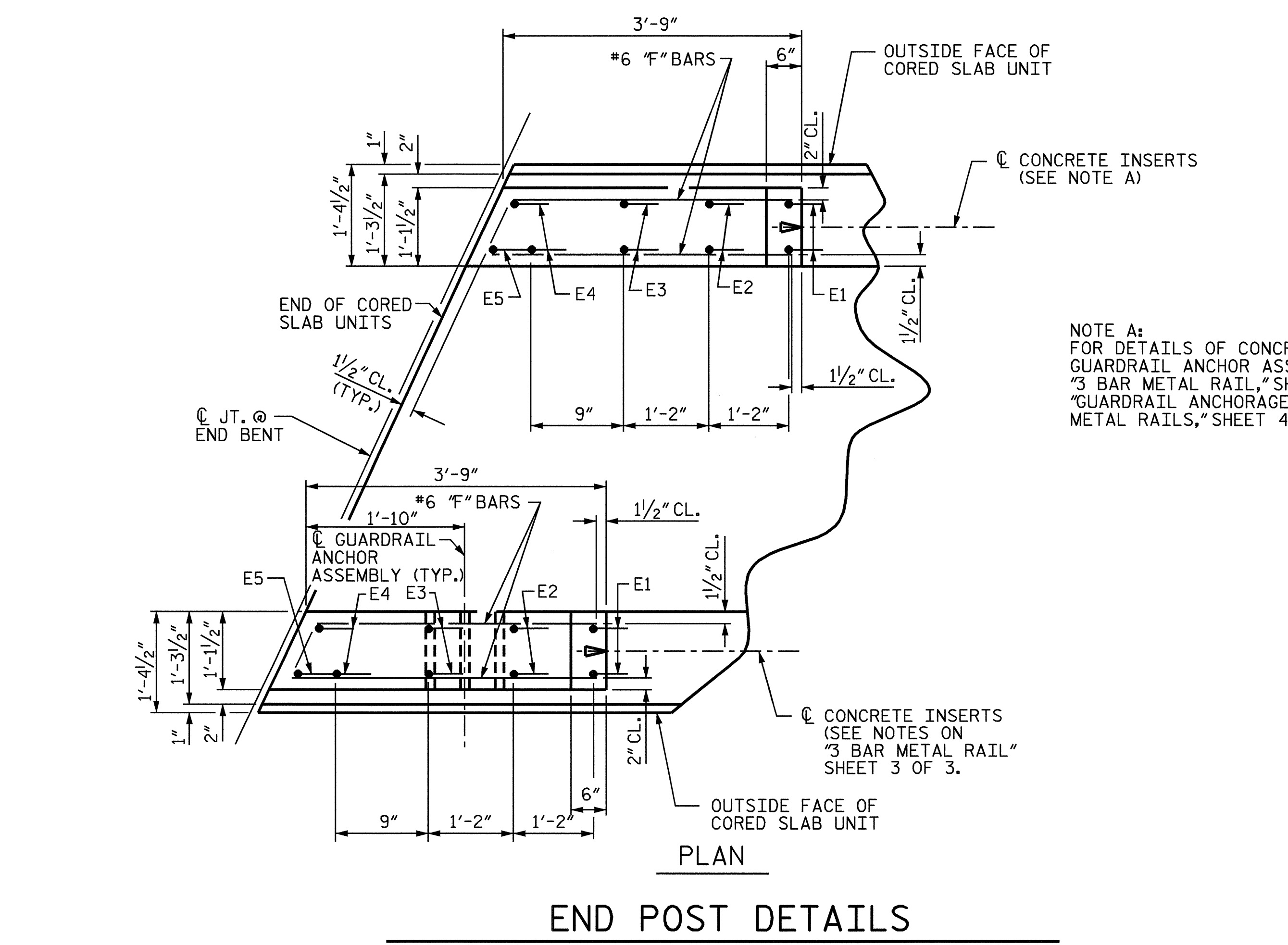
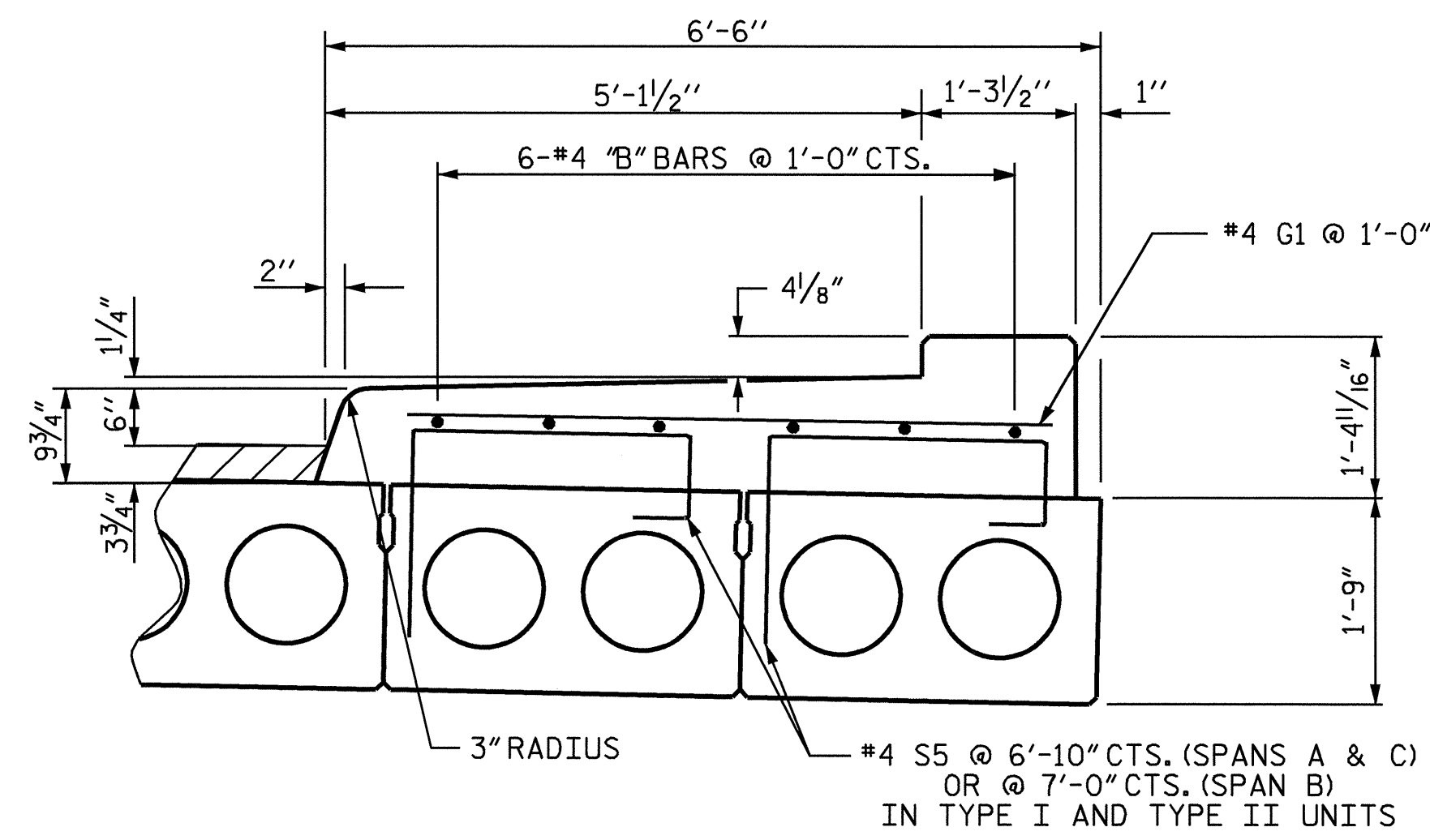


PLAN OF RAIL POST SPACINGS
 (36 POST & ANCHOR ASSEMBLIES REQUIRED)



END POST DETAILS

NOTE A:
 FOR DETAILS OF CONCRETE INSERTS AND
 GUARDRAIL ANCHOR ASSEMBLY, SEE
 "3 BAR METAL RAIL," SHEET 3 OF 4 AND
 "GUARDRAIL ANCHORAGE DETAILS FOR
 METAL RAILS," SHEET 4 OF 4.



SECTION THRU SIDEWALK

PROJECT NO. B-3685
PITT COUNTY
 STATION: 17+47.50 -L-

STATE OF NORTH CAROLINA
 DEPARTMENT OF TRANSPORTATION
 RALEIGH

SIDEWALK & END POST DETAILS



ASSEMBLED BY : PEGGY ADKINS DATE : 8-03
 CHECKED BY : T. AVERETTE DATE : 8-04

REVISIONS						SHEET NO.	
NO.	BY:	DATE:	NO.	BY:	DATE:	S-7	
1			3			TOTAL SHEETS	
2			4			27	