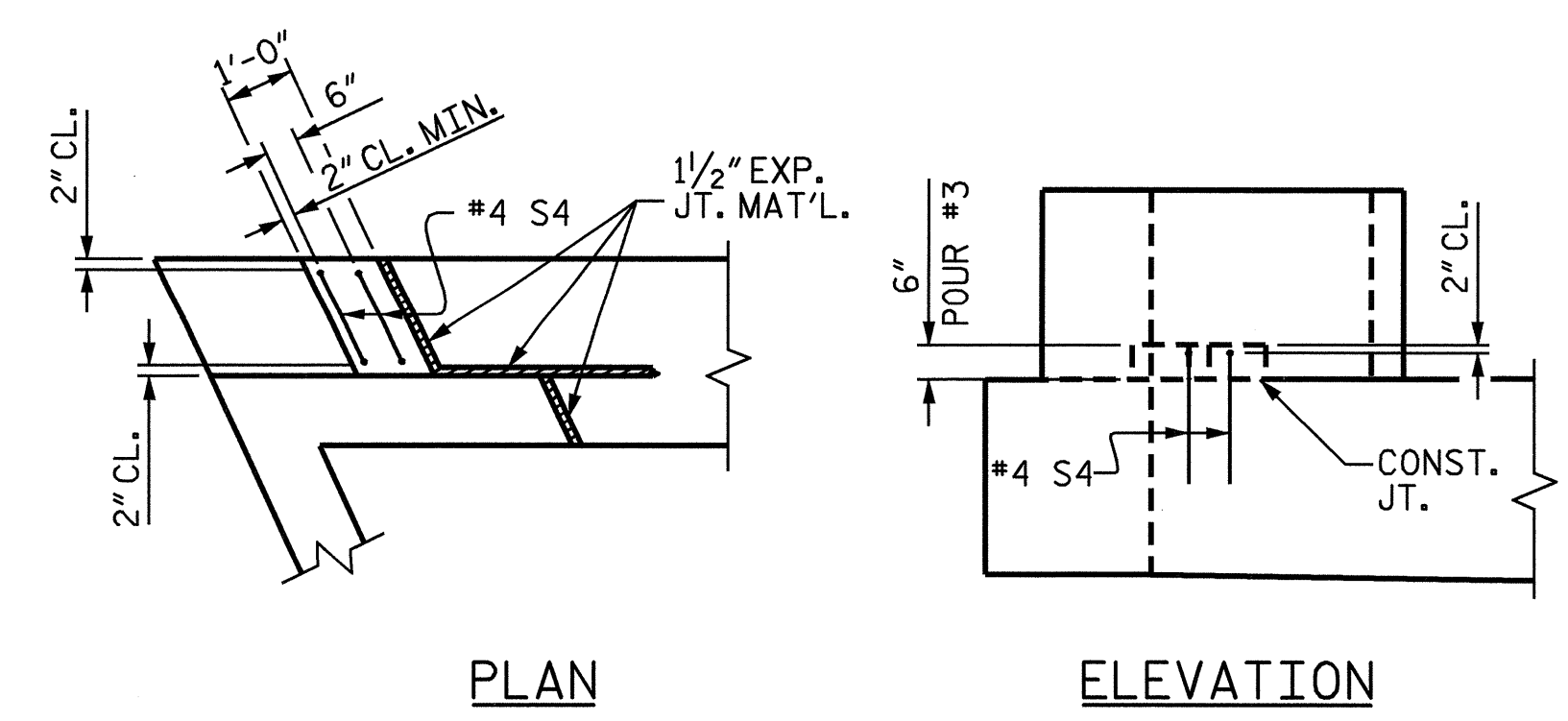
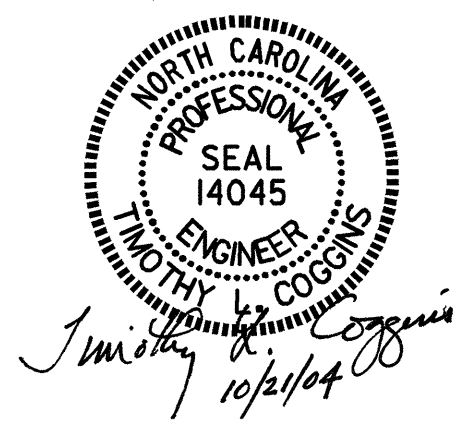


TOP OF PILE ELEVATIONS	
PILE	ELEV
1	29.723
2	29.627
3	29.530
4	29.434
5	29.338
6	29.241
7	29.145
8	29.048
9	28.952
10	28.855
11	28.759



ELEVATION

NOTES:
 STIRRUPS IN CAP MAY BE SHIFTED AS NECESSARY TO CLEAR DOWELS.
 THE CONTRACTOR SHALL PROVIDE FOR INSTALLATION OF THE 4" DIAMETER DRAIN PIPE THROUGH THE WING WALL, AS REQUIRED FOR REINFORCED BRIDGE APPROACH FILLS, SEE THE ROADWAY PLANS, REINFORCING STEEL IN THE WING WALL MAY BE SHIFTED AS NECESSARY TO CLEAR THE DRAIN PIPE.
 THE LATERAL GUIDE AT EACH END OF THE CAP IS NOT TO BE POURED UNTIL AFTER CORED SLAB UNITS ARE IN PLACE.



PROJECT NO. B-3685
PITT COUNTY
 STATION: 17+47.50 -L-
 SHEET 1 OF 3

STATE OF NORTH CAROLINA DEPARTMENT OF TRANSPORTATION RALEIGH					
SUBSTRUCTURE END BENT #1					
REVISIONS					SHEET NO.
NO.	BY:	DATE:	NO.	BY:	DATE:
1			3		
2			4		
					S-13
					TOTAL SHEETS 27

DRAWN BY: PEGGY ADKINS DATE: 4-04
 CHECKED BY: T. AVERETTE DATE: 5-04