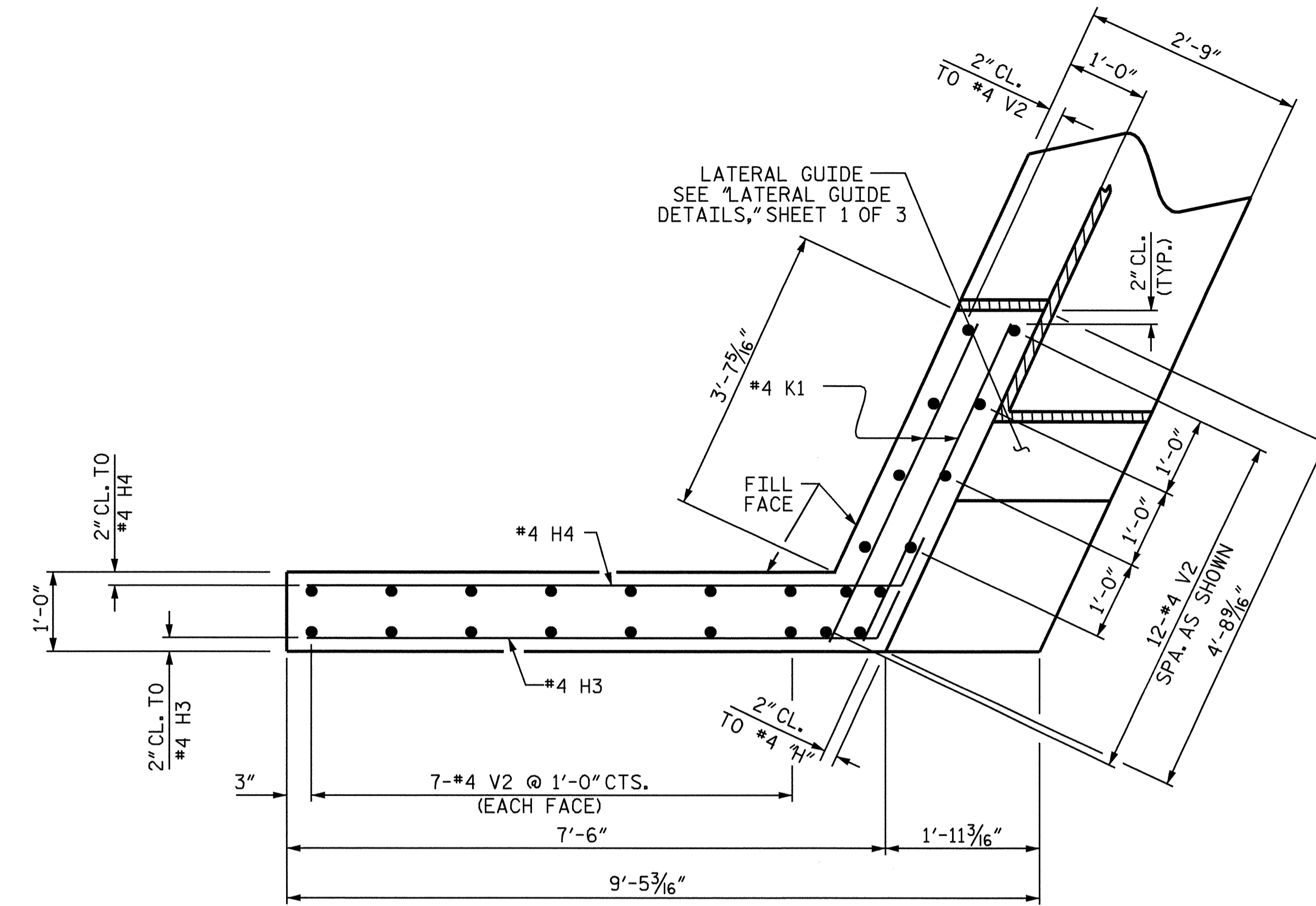
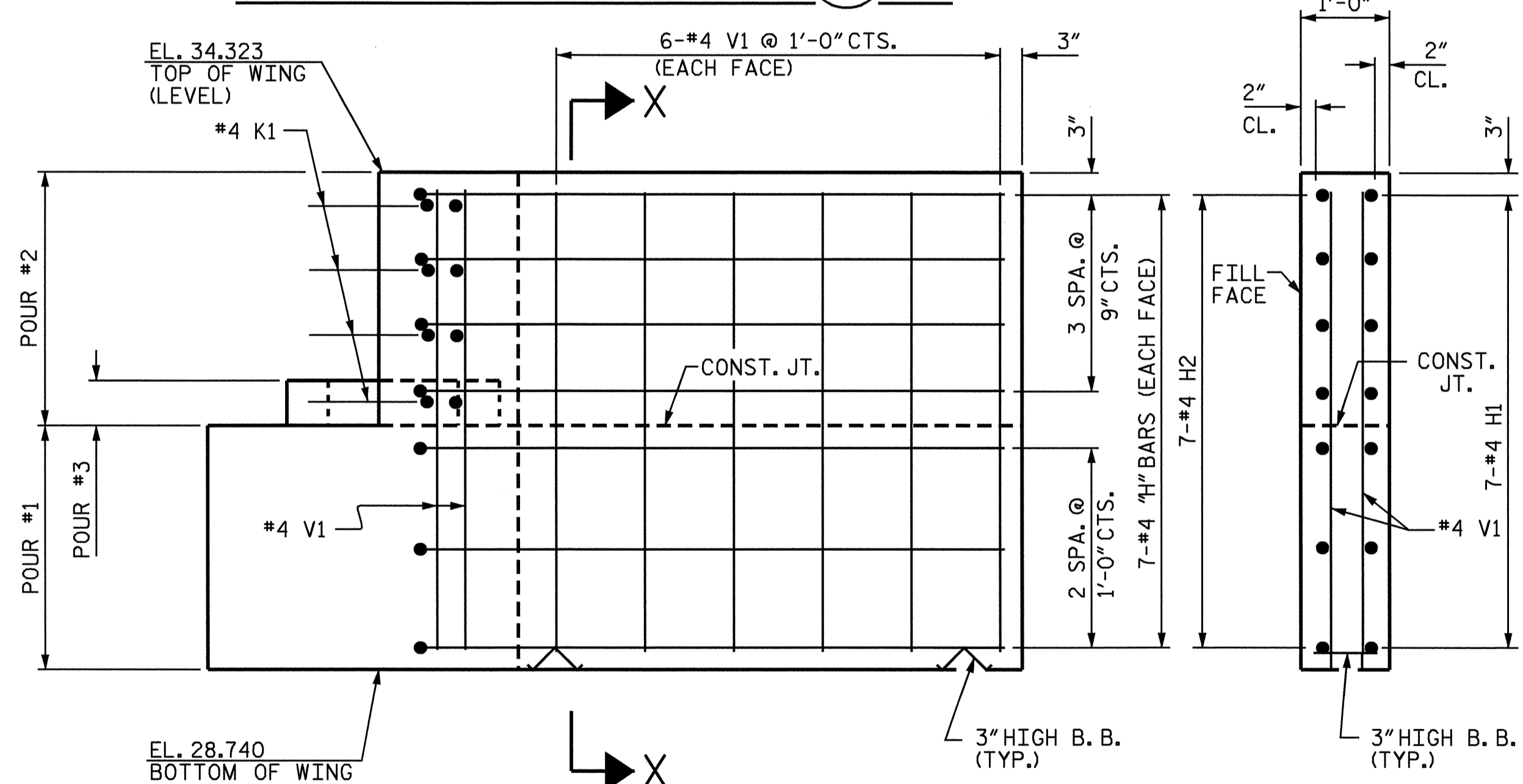


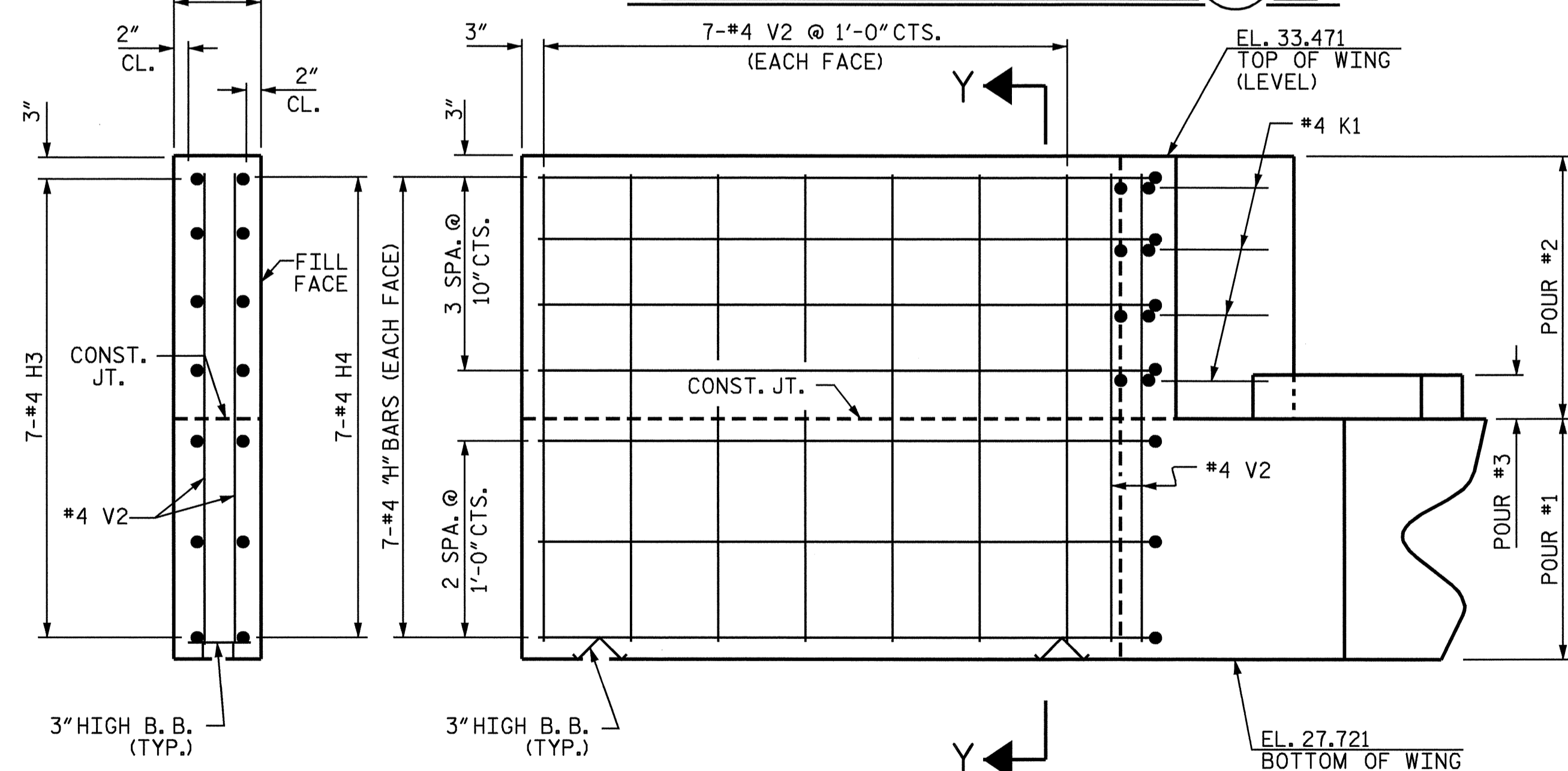
PLAN OF LEFT WING (W1)



PLAN OF RIGHT WING (W2)



ELEVATION OF LEFT WING (W1)



ELEVATION OF RIGHT WING (W2)

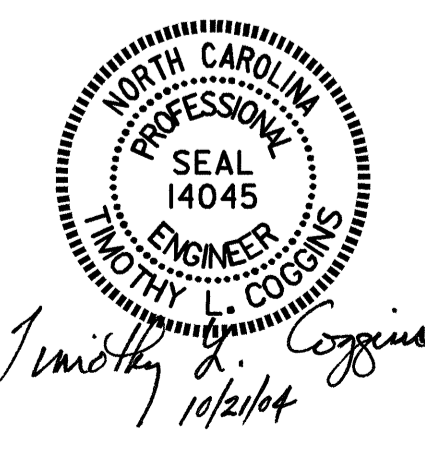
SECTION X-X

SECTION Y-Y

PROJECT NO. B-3685
PITT COUNTY
 STATION: 17+47.50 -L-

SHEET 2 OF 3

STATE OF NORTH CAROLINA
 DEPARTMENT OF TRANSPORTATION
 RALEIGH
 SUBSTRUCTURE
 END BENT #1



DRAWN BY : PEGGY ADKINS DATE : 4-04
 CHECKED BY : T. AVERETTE DATE : 5-04

21-OCT-2004 15:26
 W:\squad\b3685\pdkins\mforstation\B3685_SD_EB1.01.dgn
 pdkins

REVISIONS						SHEET NO.	
NO.	BY:	DATE:	NO.	BY:	DATE:	S-14	
1			3			TOTAL	27
2			4			SHEETS	