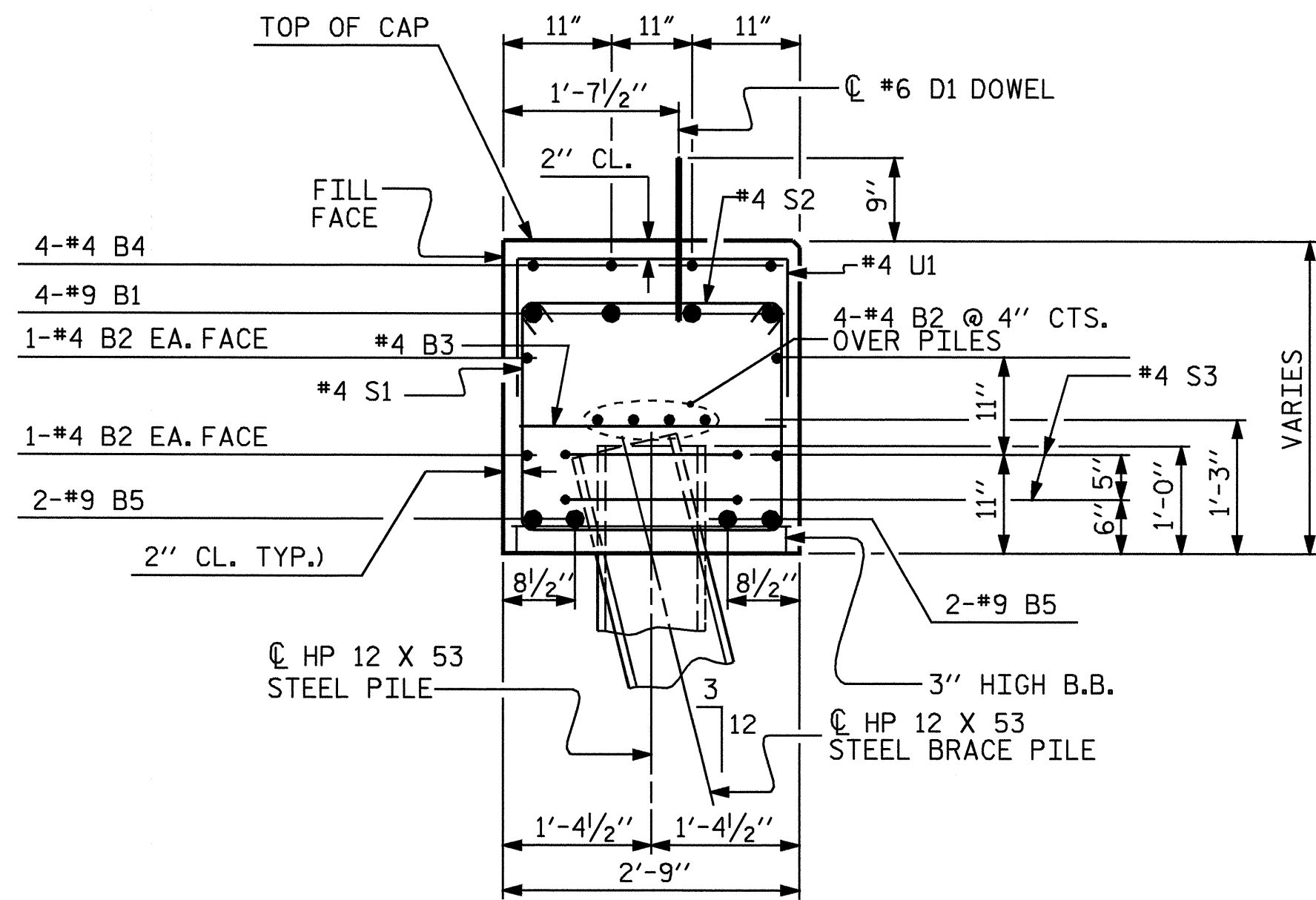
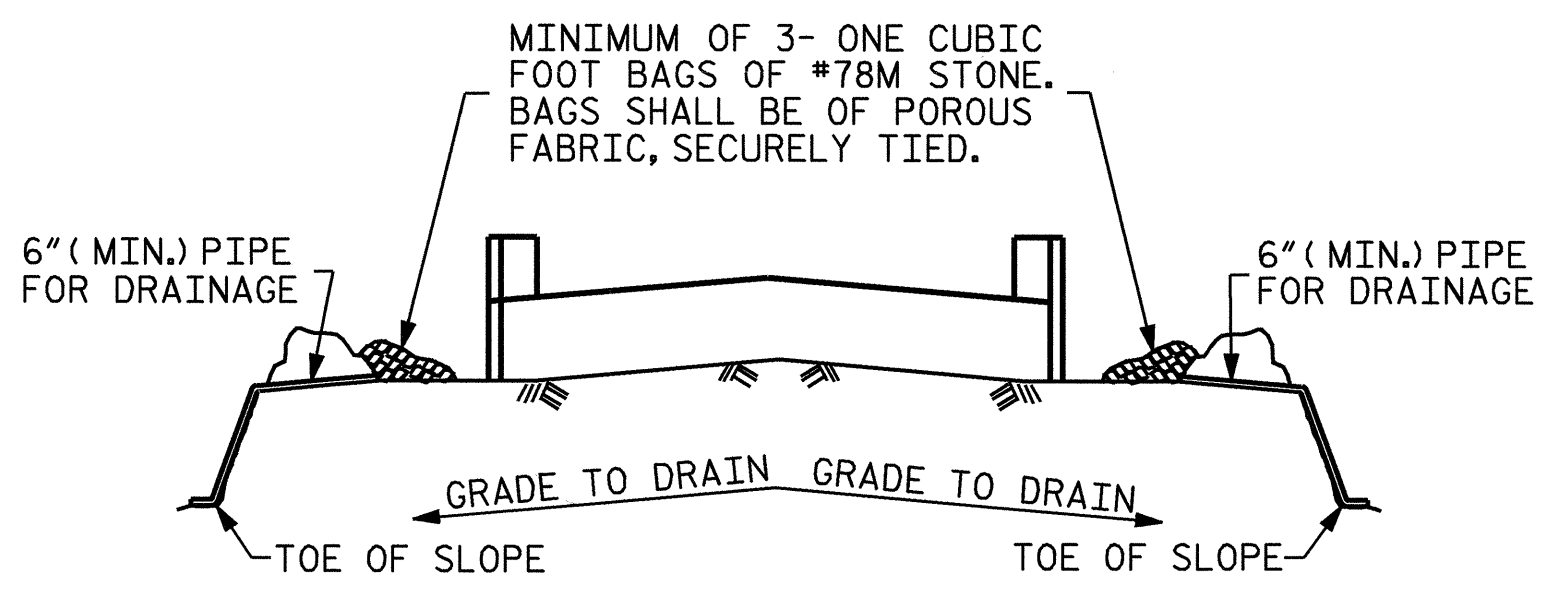


SECTION A-A



SECTION B-B

BAR TYPES					BILL OF MATERIAL						
					END BENT #1						
BAR	NO.	SIZE	TYPE	LENGTH	WEIGHT	BAR	NO.	SIZE	TYPE	LENGTH	WEIGHT
B1	8	9		40'-3"	1095	B1	8	9		40'-3"	1095
B2	24	4	STR	24'-9"	397	B2	24	4	STR	24'-9"	397
B3	17	4	STR	2'-5"	27	B3	17	4	STR	2'-5"	27
B4	8	4	STR	22'-1"	118	B4	8	4	STR	22'-1"	118
B5	8	9		39'-0"	1061	B5	8	9		39'-0"	1061
D1	38	6	STR	1'-6"	86	D1	38	6	STR	1'-6"	86
H1	7	4	3	7'-5"	35	H1	7	4	3	7'-5"	35
H2	7	4	3	7'-2"	34	H2	7	4	3	7'-2"	34
H3	7	4	2	7'-10"	37	H3	7	4	2	7'-10"	37
H4	7	4	2	8'-2"	38	H4	7	4	2	8'-2"	38
K1	16	4	STR	4'-4"	46	K1	16	4	STR	4'-4"	46
S1	62	4	4	7'-11"	328	S1	62	4	4	7'-11"	328
S2	62	4	5	3'-2"	131	S2	62	4	5	3'-2"	131
S3	22	4	6	6'-6"	96	S3	22	4	6	6'-6"	96
S4	4	4	7	4'-6"	12	S4	4	4	7	4'-6"	12
U1	28	4	7	5'-5"	101	U1	28	4	7	5'-5"	101
V1	24	4	STR	5'-3"	84	V1	24	4	STR	5'-3"	84
V2	26	4	STR	5'-5"	94	V2	26	4	STR	5'-5"	94
REINFORCING STEEL					LBS	3820					
CLASS "A" CONCRETE BREAKDOWN											
POUR #1											
CAP & LOWER PART OF WINGS 23.0 YD3											
POUR #2											
UPPER PART OF WINGS 2.4 YD3											
POUR #3											
LATERAL GUIDES 0.1 YD3											
CLASS "A" CONCRETE TOTAL 25.5 YD3											
HP 12 x 53 STEEL PILES											
NO. 11 LIN. FT. 330											



MINIMUM OF 3- ONE CUBIC FOOT BAGS OF #78M STONE. BAGS SHALL BE OF POROUS FABRIC, SECURELY TIED.

6" (MIN.) PIPE FOR DRAINAGE

GRADE TO DRAIN

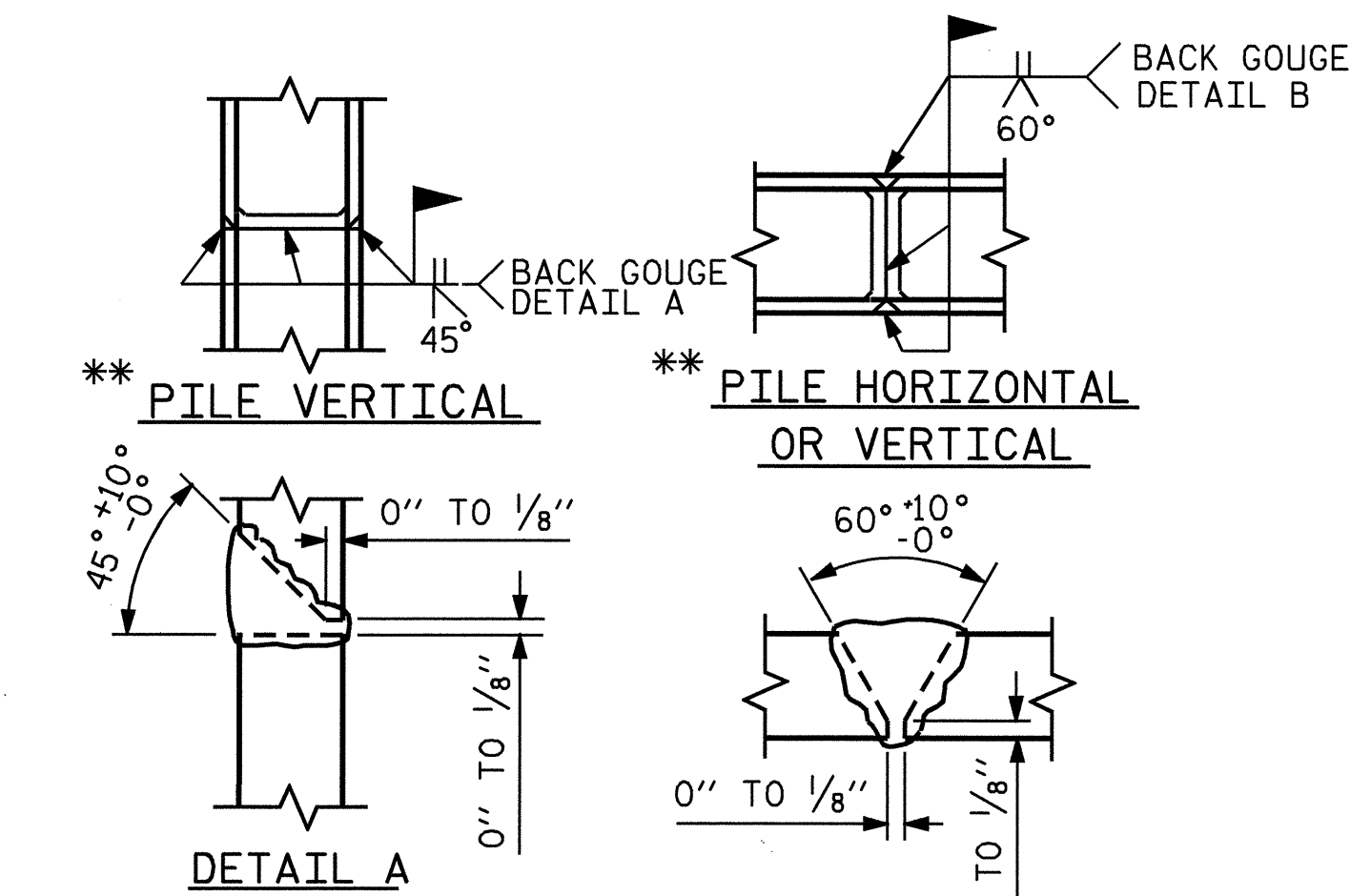
TOE OF SLOPE

BAGGED STONE AND PIPE SHALL BE PLACED IMMEDIATELY AFTER COMPLETION OF END BENT EXCAVATION. PIPE MAY BE EITHER CONCRETE, CORRUGATED STEEL, CORRUGATED ALUMINUM ALLOY, OR CORRUGATED PLASTIC. PERFORATED PIPE WILL NOT BE ALLOWED.

BAGGED STONE SHALL REMAIN IN PLACE UNTIL THE ENGINEER DIRECTS THAT IT BE REMOVED. THE CONTRACTOR SHALL REMOVE AND DISPOSE OF SILT ACCUMULATIONS AT BAGGED STONE WHEN SO DIRECTED BY THE ENGINEER. BAGS SHALL BE REMOVED AND REPLACED WHENEVER THE ENGINEER DETERMINES THAT THEY HAVE DETERIORATED AND LOST THEIR EFFECTIVENESS.

NO SEPARATE PAYMENT WILL BE MADE FOR THIS WORK AND THE ENTIRE COST OF THIS WORK SHALL BE INCLUDED IN THE UNIT CONTRACT PRICE BID FOR THE SEVERAL PAY ITEMS.

TEMPORARY DRAINAGE AT END BENT



PILE SPLICE DETAILS

PROJECT NO. B-3685

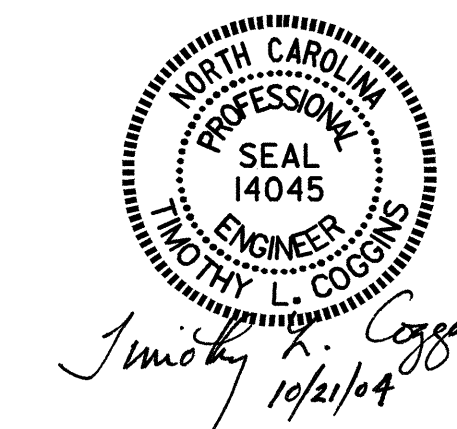
PITT COUNTY

STATION: 17+47.50 -L-

SHEET 3 OF 3

STATE OF NORTH CAROLINA
DEPARTMENT OF TRANSPORTATION
RALEIGH

SUBSTRUCTURE
END BENT #1



REVISIONS						SHEET NO.
NO.	BY:	DATE:	NO.	BY:	DATE:	S-15
1			3			TOTAL SHEETS
2			4			27

DRAWN BY: PEGGY ADKINS DATE: 4-04

CHECKED BY: T. AVERETTE DATE: 5-04