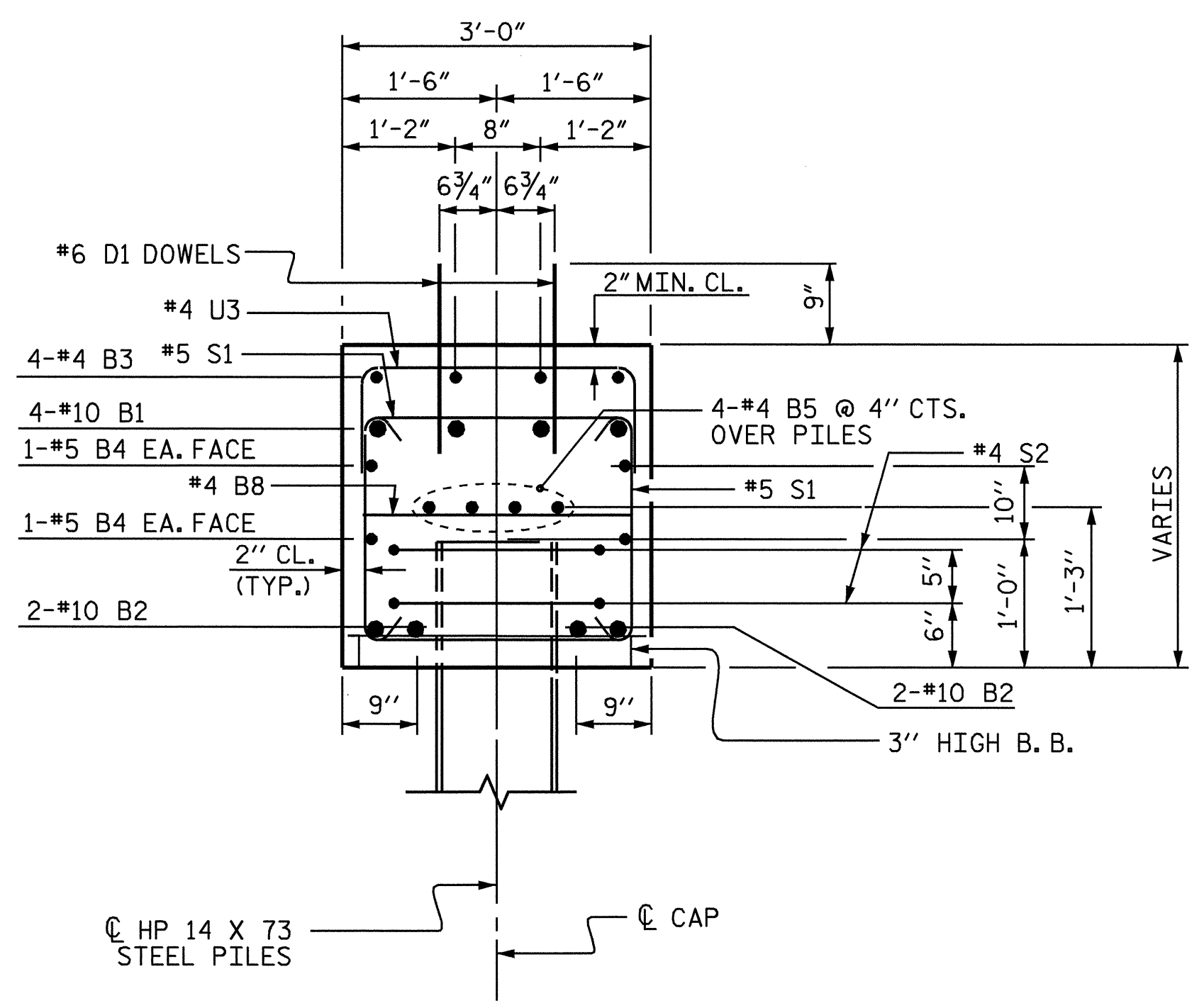


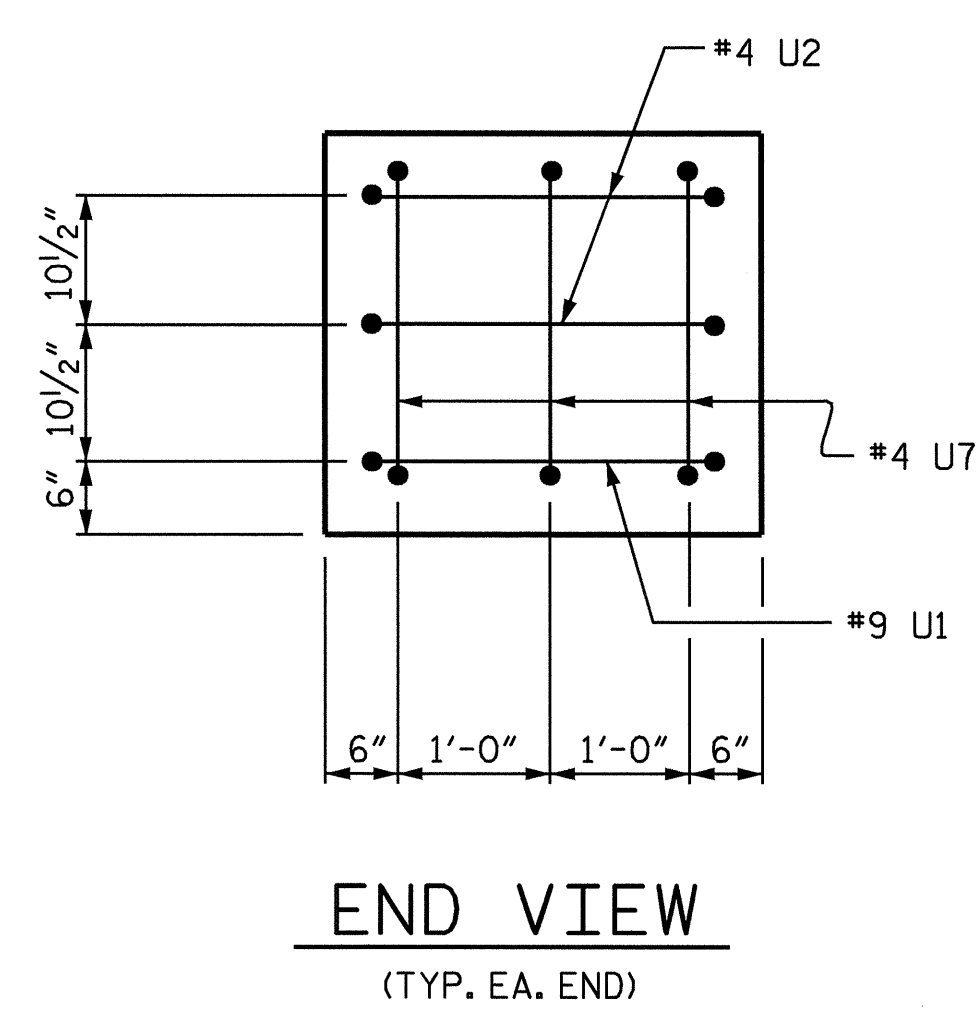
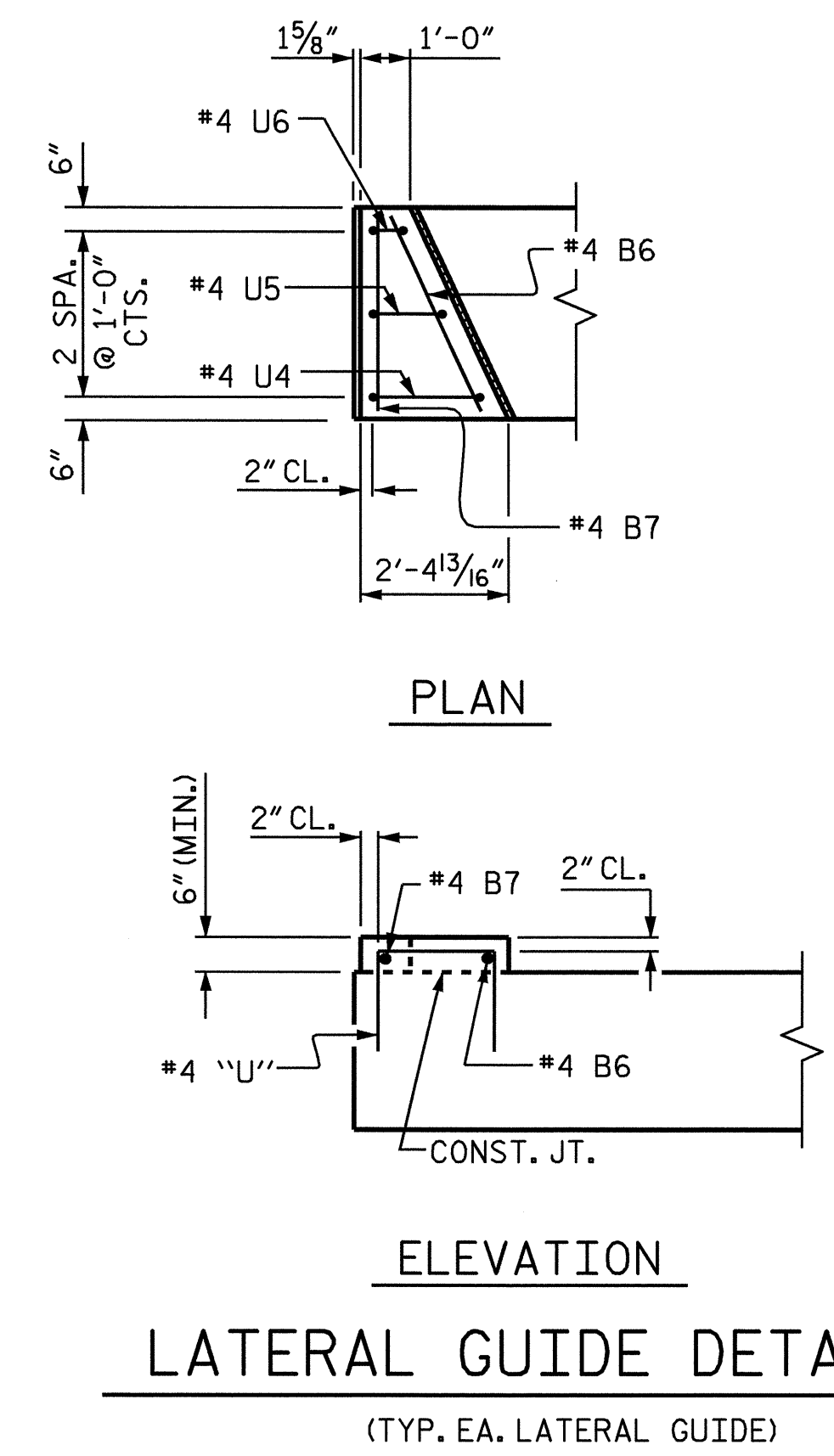
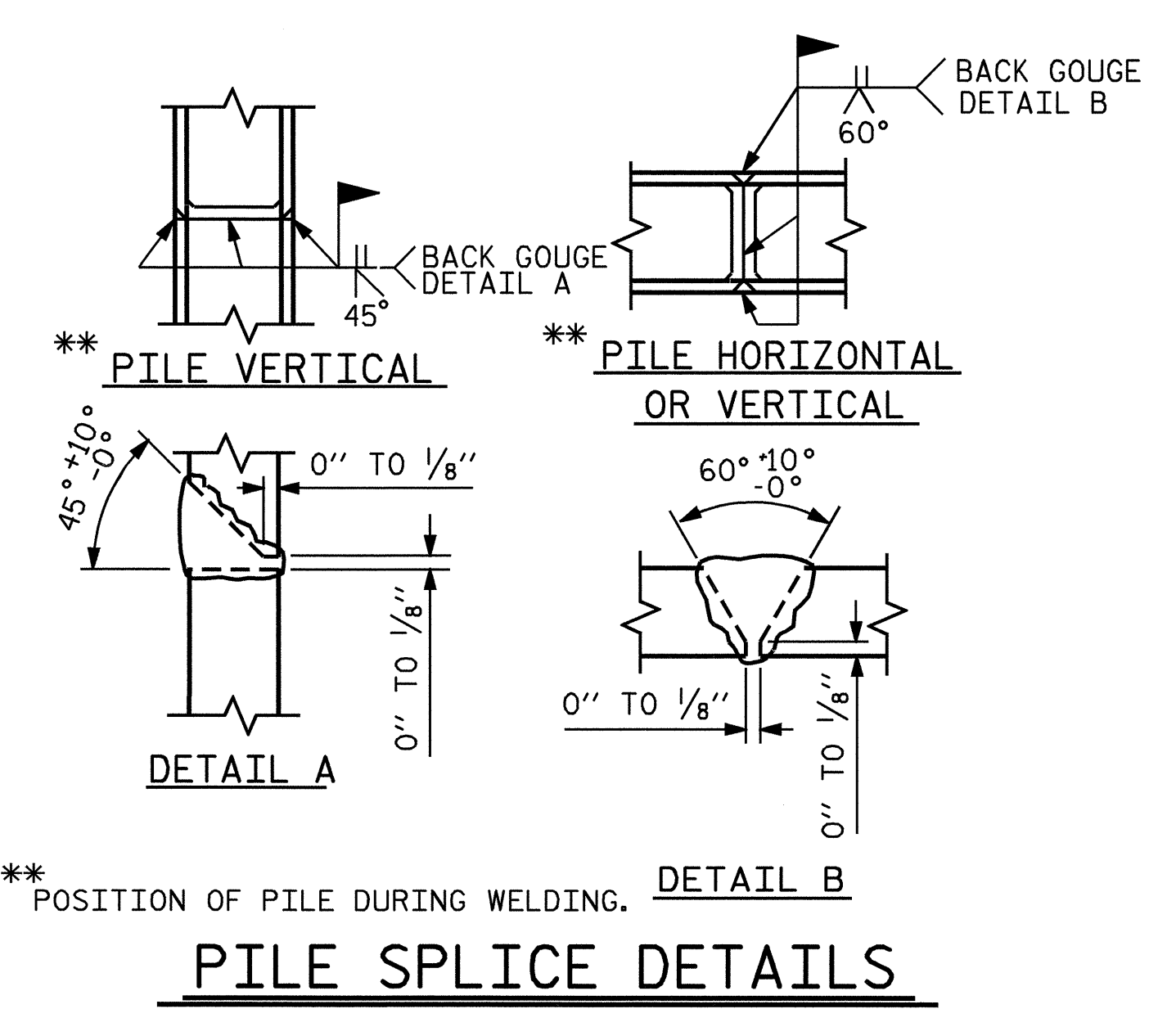
SECTION A-A



SECTION B-B

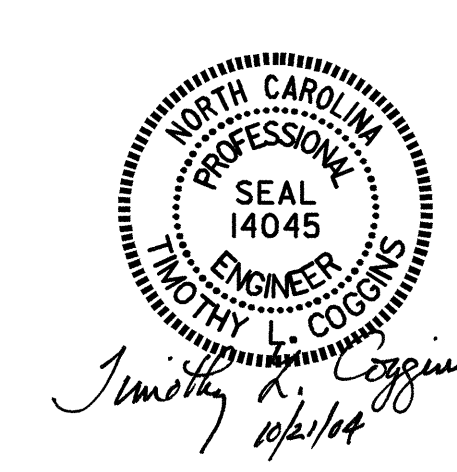
BAR TYPES		BILL OF MATERIAL				
		BENT #1				
BAR	NO.	SIZE	TYPE	LENGTH	WEIGHT	
B1	8	10		40'-3"	1386	
B2	8	10	STR	37'-3"	1282	
B3	8	4	STR	19'-0"	102	
B4	8	5	STR	34'-9"	290	
B5	12	4	STR	23'-10"	191	
B6	2	4	STR	2'-11"	4	
B7	2	4	STR	2'-8"	4	
B8	17	4	STR	2'-8"	30	
D1	76	6	STR	1'-6"	171	
S1	65	5	2	8'-4"	565	
S2	20	4	4	7'-7"	101	
U1	2	9	3	9'-10"	67	
U2	4	4	3	5'-6"	15	
U3	24	4	3	5'-8"	91	
U4	2	4	3	4'-7"	6	
U5	2	4	3	4'-2"	6	
U6	2	4	3	3'-8"	5	
U7	6	4	3	5'-2"	21	
REINFORCING STEEL					LBS 4337	
CLASS "A" CONCRETE BREAKDOWN						
POUR #1 CAP					22.6 YD3	
POUR #2 LATERAL GUIDES					0.2 YD3	
CLASS "A" CONCRETE TOTAL					22.8 YD3	
HP 14 X 73 STEEL PILES						
NO. 10					LIN. FT. 300	

ALL BAR DIMENSIONS ARE OUT TO OUT.



PROJECT NO. B-3685
PITT COUNTY
STATION: 17+47.50 -L-
SHEET 2 OF 2

STATE OF NORTH CAROLINA DEPARTMENT OF TRANSPORTATION RALEIGH					
SUBSTRUCTURE BENT #1					
REVISIONS					SHEET NO.
NO.	BY:	DATE:	NO.	BY:	DATE:
1			3		
2			4		
TOTAL SHEETS					27



DRAWN BY: PEGGY ADKINS DATE: 7-04
CHECKED BY: T. L. AVERETTE DATE: 8-04