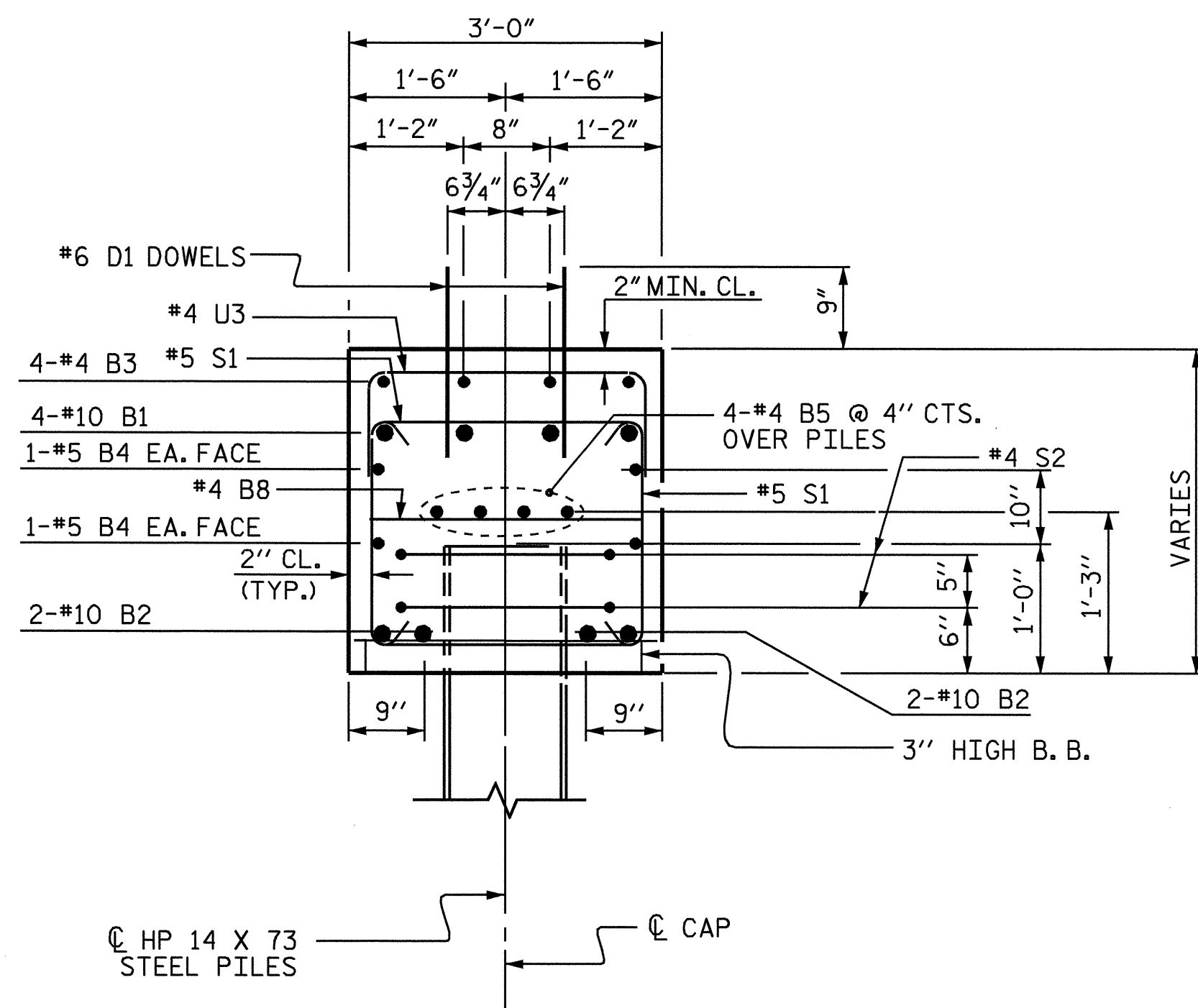


SECTION A-A



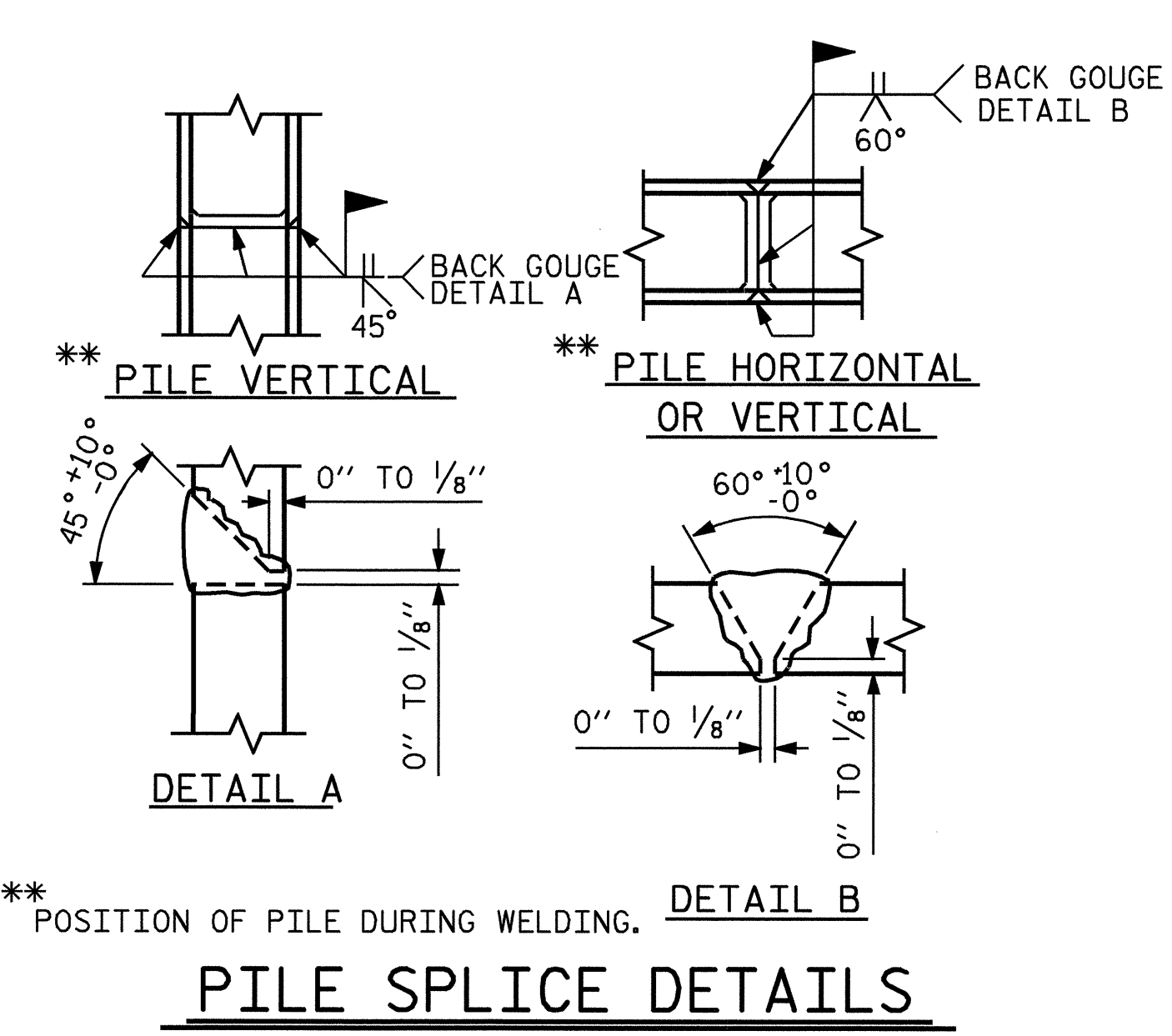
SECTION B-B

BILL OF MATERIAL					
BENT #2					
BAR	NO.	SIZE	TYPE	LENGTH	WEIGHT
B1	8	10		40'-3"	1386
B2	8	10	STR	37'-3"	1282
B3	8	4	STR	19'-9"	102
B4	8	5	STR	34'-9"	290
B5	12	4	STR	23'-10"	191
B6	2	4	STR	2'-11"	4
B7	2	4	STR	2'-8"	4
B8	17	4	STR	2'-8"	30
D1	76	6	STR	1'-6"	171
S1	65	5	2	8'-4"	565
S2	20	4	4	7'-7"	101
U1	2	9	3	9'-10"	67
U2	4	4	3	5'-6"	15
U3	24	4	3	5'-8"	91
U4	2	4	3	4'-7"	6
U5	2	4	3	4'-2"	6
U6	2	4	3	3'-8"	5
U7	6	4	3	5'-2"	21

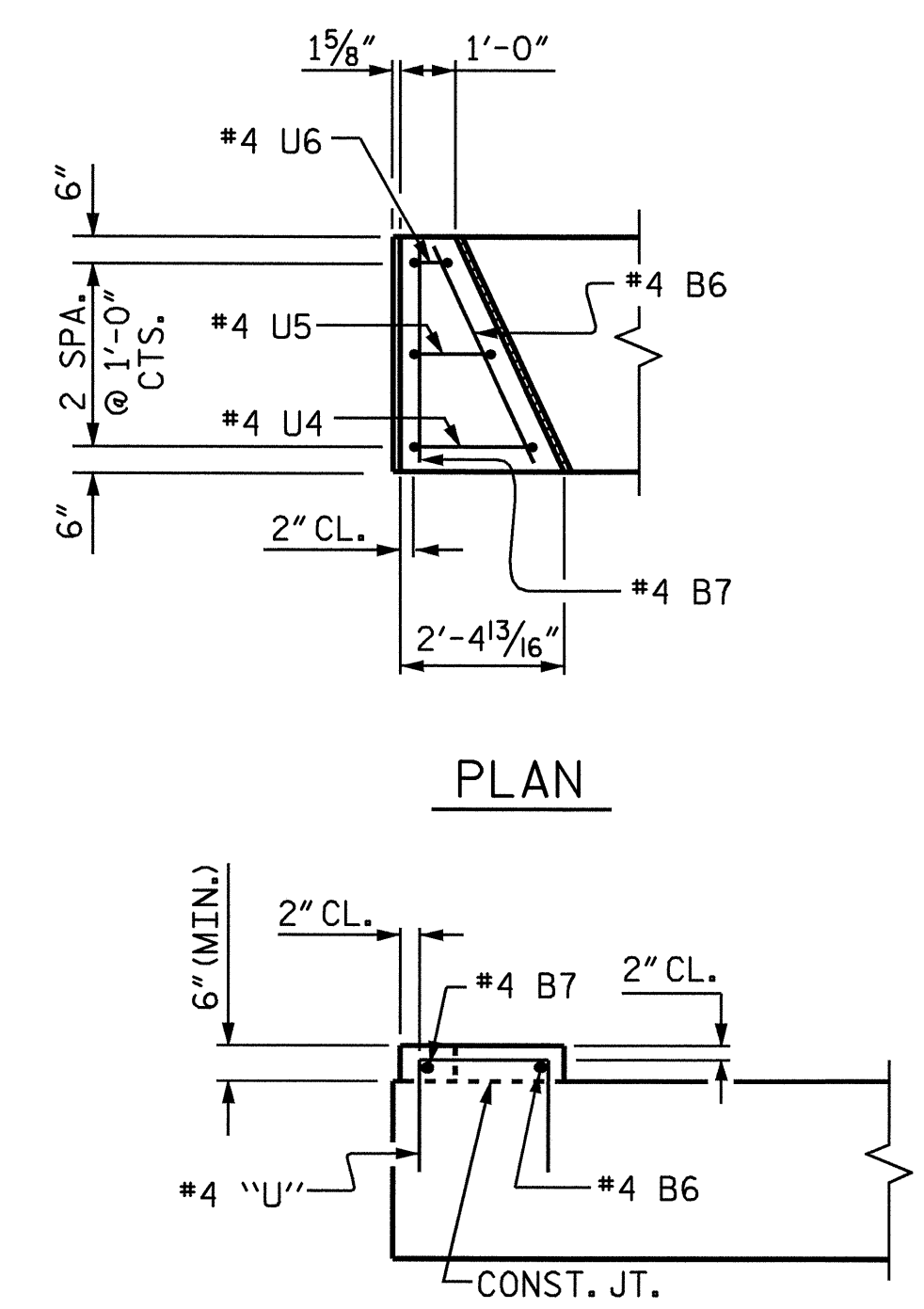
REINFORCING STEEL		LBS	4337
CLASS "A" CONCRETE BREAKDOWN			
POUR #1	CAP	22.6	YD3
POUR #2	LATERAL GUIDES	0.2	YD3
CLASS "A" CONCRETE TOTAL		22.8	YD3

HP 14 X 73 STEEL PILES			
NO.	10	LIN. FT.	300

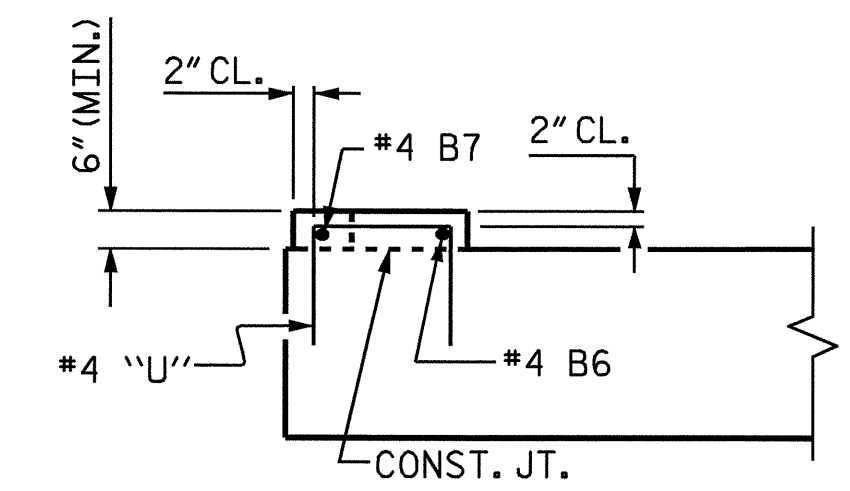
ALL BAR DIMENSIONS ARE OUT TO OUT.



PILE SPLICE DETAILS



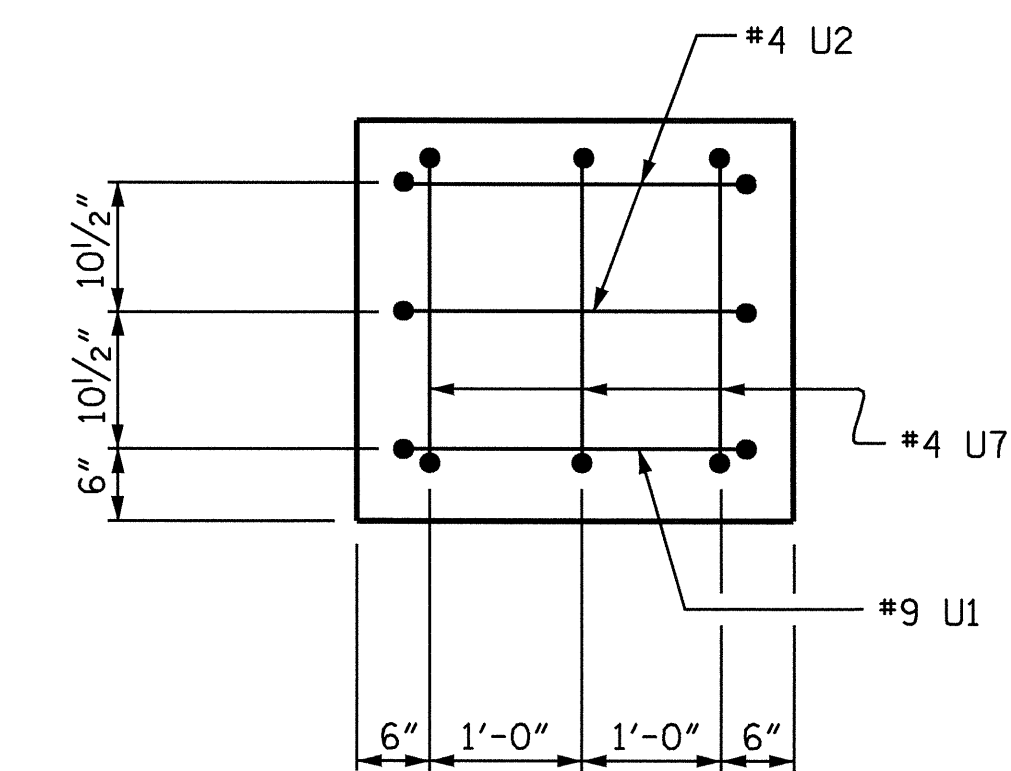
PLAN



ELEVATION

LATERAL GUIDE DETAILS

(TYP. EA. LATERAL GUIDE)



END VIEW

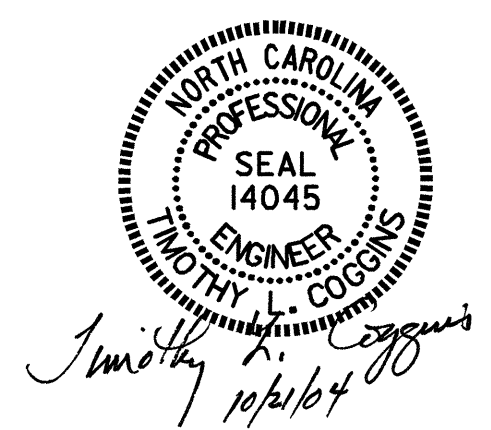
(TYP. EA. END)

PROJECT NO. B-3685
PITT COUNTY
 STATION: 17+47.50 -L-

SHEET 2 OF 2

STATE OF NORTH CAROLINA DEPARTMENT OF TRANSPORTATION RALEIGH					
SUBSTRUCTURE					
BENT #2					
REVISIONS					
NO.	BY:	DATE:	NO.	BY:	DATE:
1			3		
2			4		

SHEET NO.	
S-19	27



DRAWN BY: PEGGY ADKINS DATE: 7-04
 CHECKED BY: T. L. AVERETTE DATE: 8-04