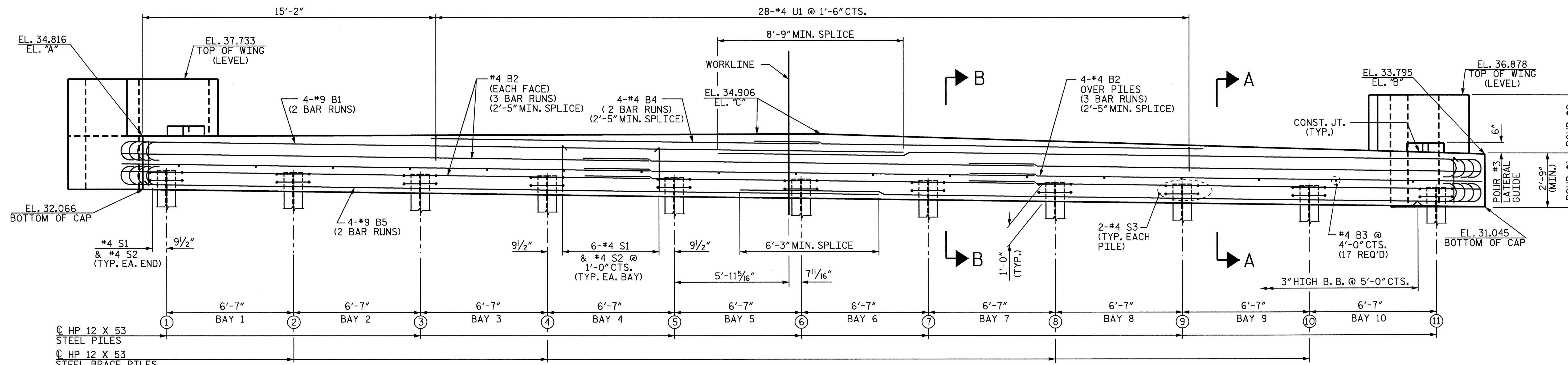


PLAN



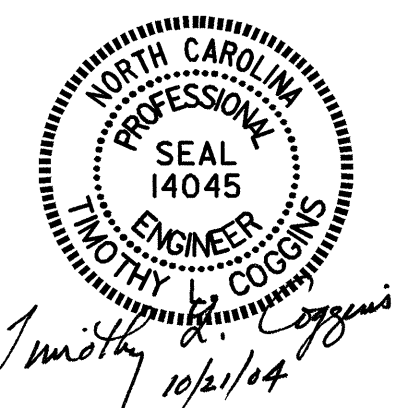
ELEVATION

PROJECT NO. B-3685
PITT COUNTY
 STATION: 17+47.50 -L-

SHEET 1 OF 3

STATE OF NORTH CAROLINA
 DEPARTMENT OF TRANSPORTATION
 RALEIGH

SUBSTRUCTURE
 END BENT #2



NOTES:

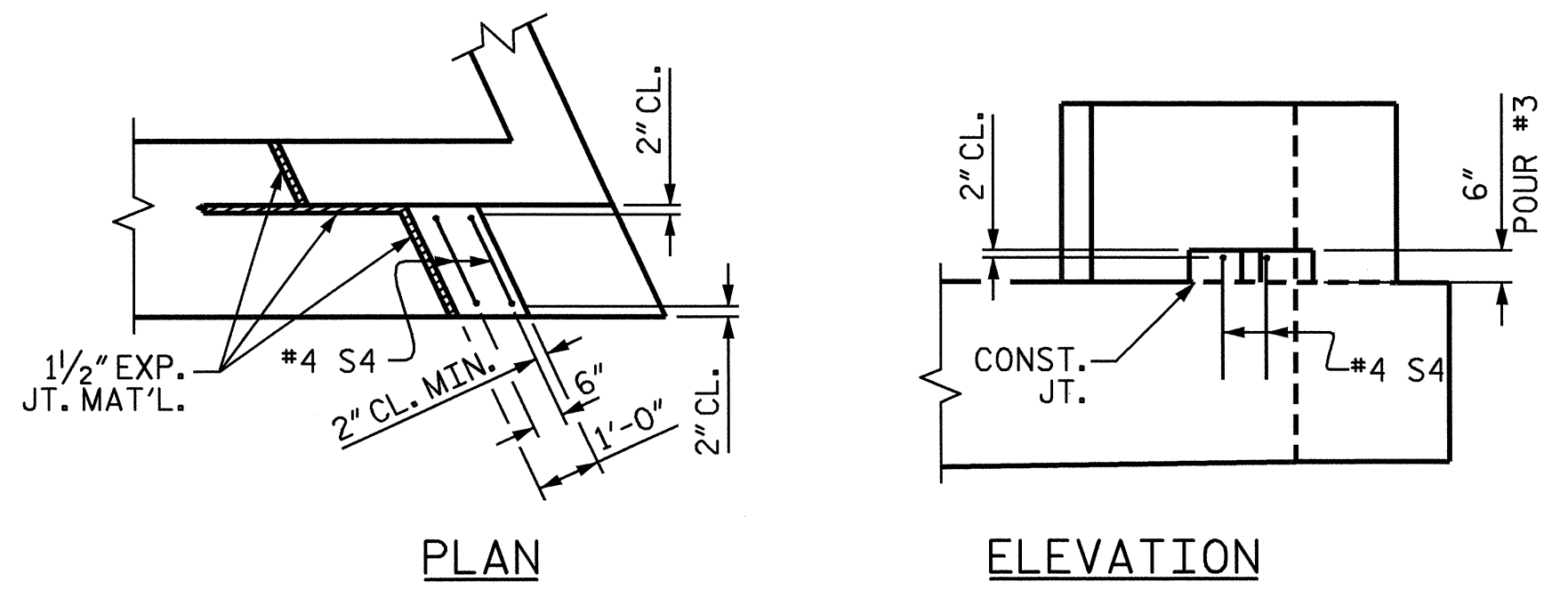
STIRRUPS IN CAP MAY BE SHIFTED AS NECESSARY TO CLEAR DOWELS.

THE CONTRACTOR SHALL PROVIDE FOR INSTALLATION OF THE 4" DIAMETER DRAIN PIPE THROUGH THE WING WALL AS REQUIRED FOR REINFORCED BRIDGE APPROACH FILLS, SEE THE ROADWAY PLANS. REINFORCING STEEL IN THE WING WALL MAY BE SHIFTED AS NECESSARY TO CLEAR THE DRAIN PIPE.

THE LATERAL GUIDE AT EACH END OF THE CAP IS NOT TO BE POURED UNTIL AFTER CORED SLAB UNITS ARE IN PLACE.

REVISIONS						SHEET NO.	
NO.	BY:	DATE:	NO.	BY:	DATE:	S-20	
1			3			TOTAL SHEETS	
2			4			27	

TOP OF PILE ELEVATIONS	
PILE	ELEV
1	33.049
2	32.953
3	32.856
4	32.760
5	32.663
6	32.566
7	32.470
8	32.373
9	32.277
10	32.180
11	32.083



LATERAL GUIDE DETAILS

DRAWN BY: PEGGY ADKINS DATE: 4-04
 CHECKED BY: T. AVERETTE DATE: 5-04