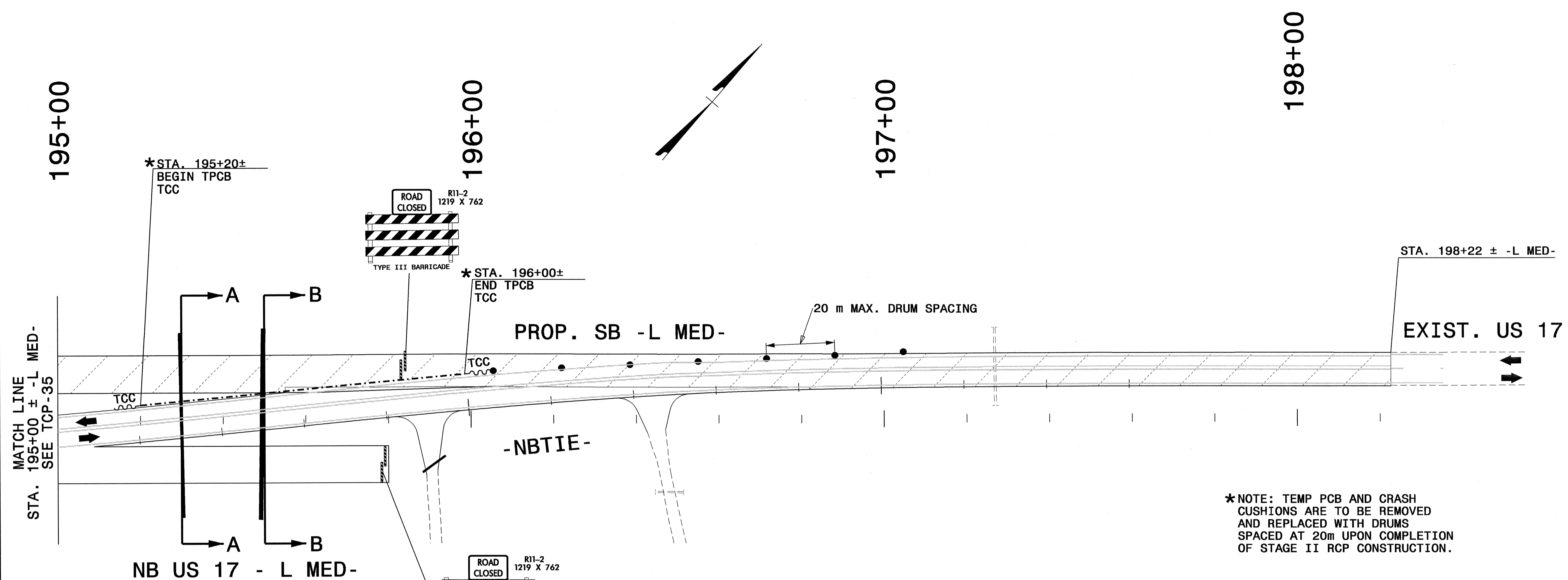


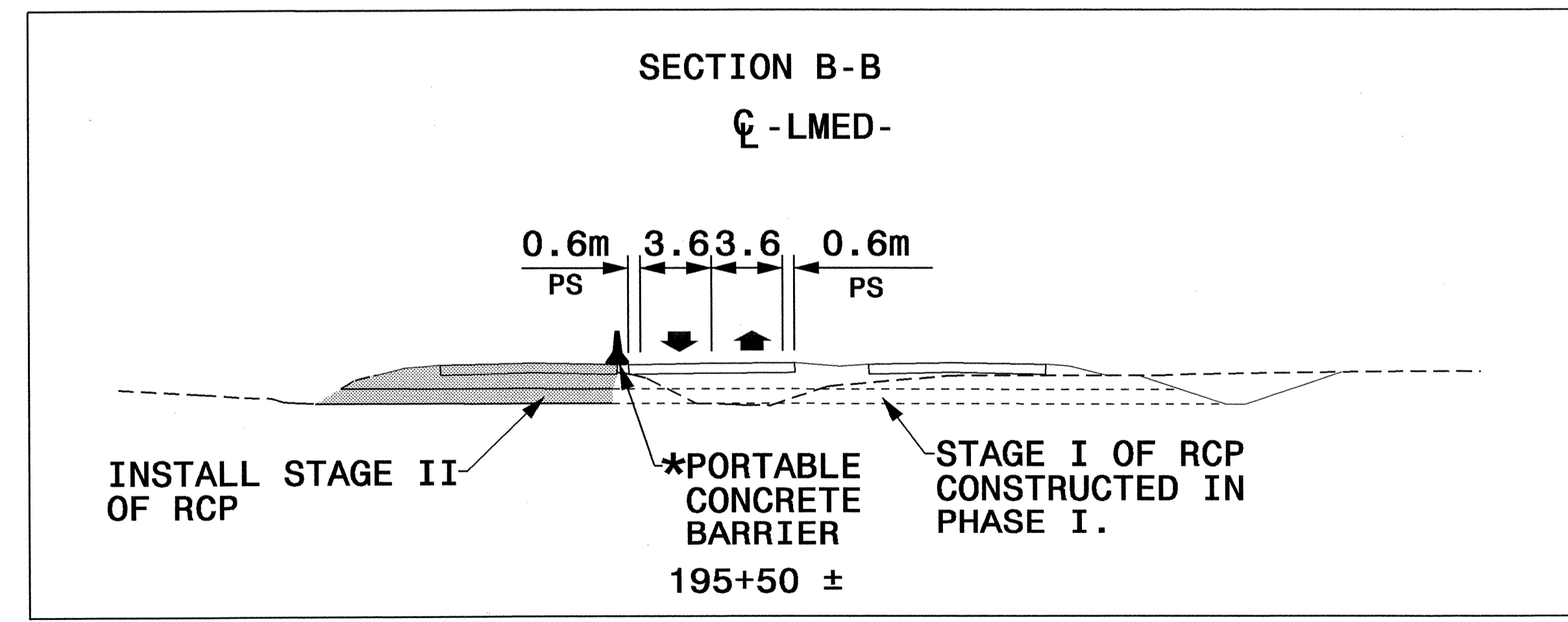
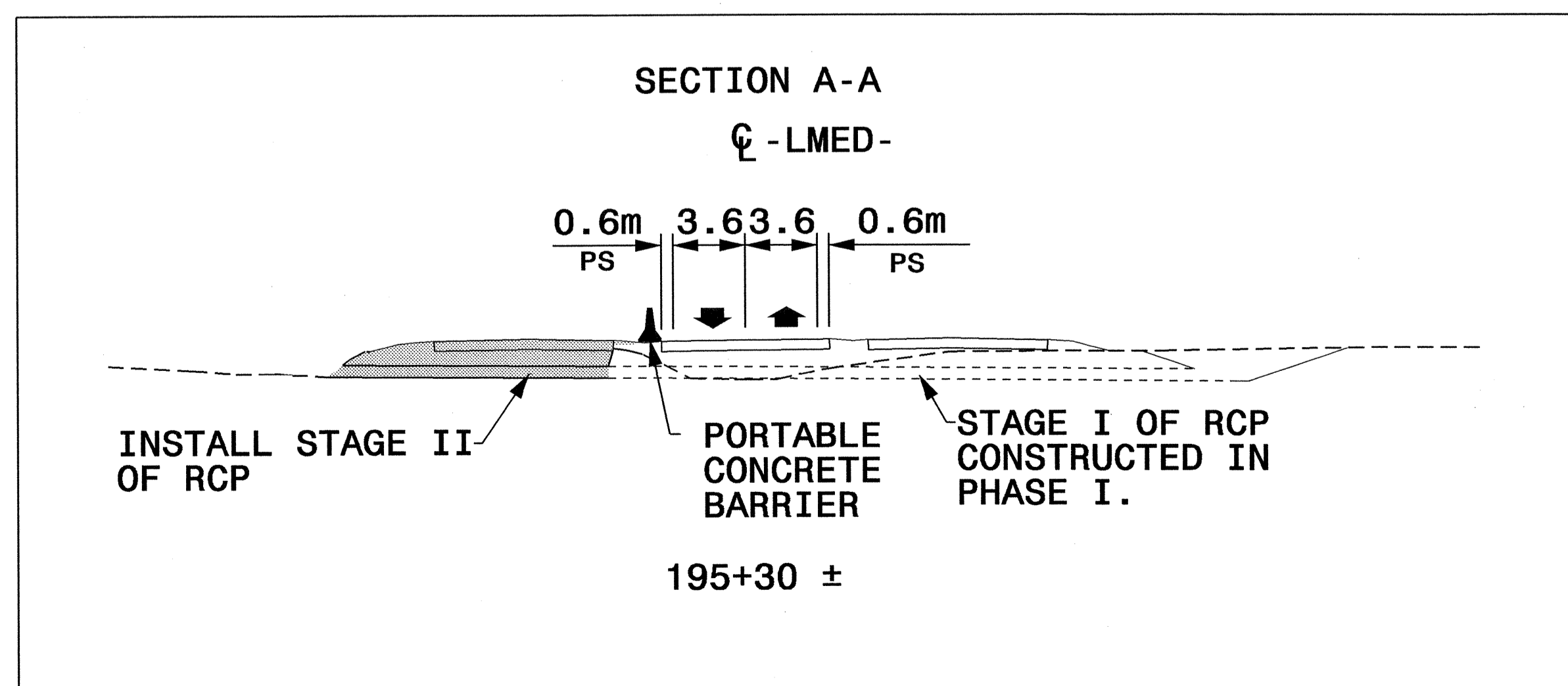


PROJ. REFERENCE NO.	SHEET NO.
R-2514A	TCP-36



*NOTE: TEMP PCB AND CRASH CUSHIONS ARE TO BE REMOVED AND REPLACED WITH DRUMS SPACED AT 20m UPON COMPLETION OF STAGE II RCP CONSTRUCTION.

TYPE III BARRICADES TO REMAIN AFTER COMPLETION OF PROJECT



LEGEND

	REMOVAL OF EXISTING PAVEMENT
	PROPOSED CONSTRUCTION
	TEMPORARY PAVEMENT
	WEDGING & WIDENING

APPROVED: _____ DATE: _____

SEAL

PHASE II DETAIL	
SCALE: NONE	REVISIONS
DATE: 11/18/03	
DWG. BY: KWD	
DESIGN BY: KWD	
REVIEWED BY: JHJ	

23-NOV-2003 2:04 PM
 G:\CADD\2004\1001\R-2514A\Traffic\TrafficControl\TCP\R-2514A_TC_TCP36.dgn
 C:\AT_DUNN