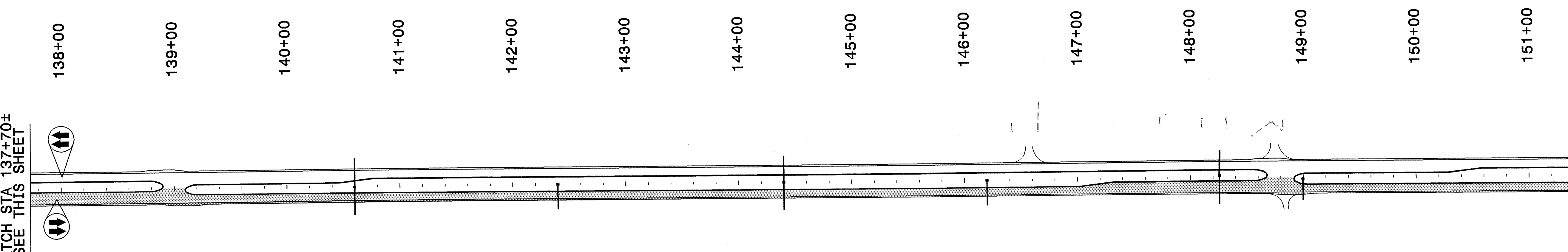
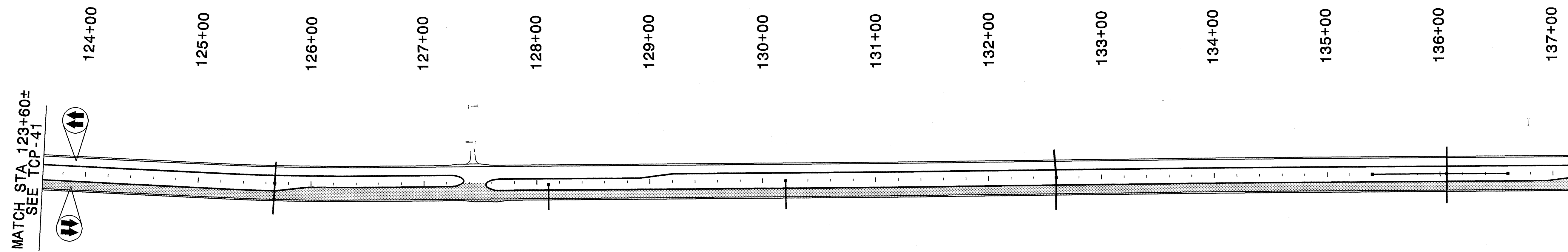


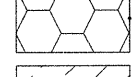
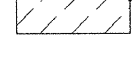




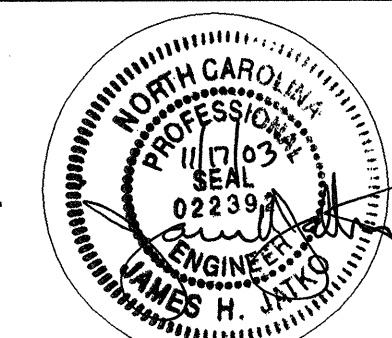
PROJ. REFERENCE NO.	SHEET NO.
R-2514A	TCP-42



- LEGEND
-  REMOVAL OF EXISTING PAVEMENT
  -  PROPOSED CONSTRUCTION
  -  TEMPORARY PAVEMENT
  -  WEDGING & WIDENING

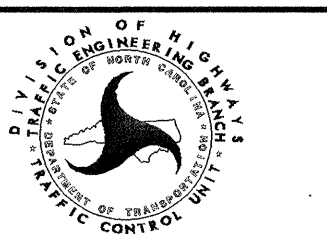
APPROVED: \_\_\_\_\_ DATE: \_\_\_\_\_

SEAL



### PHASE III OVERVIEW

SCALE: NONE  
 DATE: 11/18/03  
 DWG. BY: KWD  
 DESIGN BY: KWD  
 REVIEWED BY: JHJ



REVISIONS	

CADD FILE R-2514A\_TC\_TCP42.DGN

I7-NOV-2003 20:03  
 G:\CAD\70154\H001\R-2514A\Traffic\TrafficControl\TCP\R-2514A\_TC\_TCP42.dgn  
 dunn AT DUNN