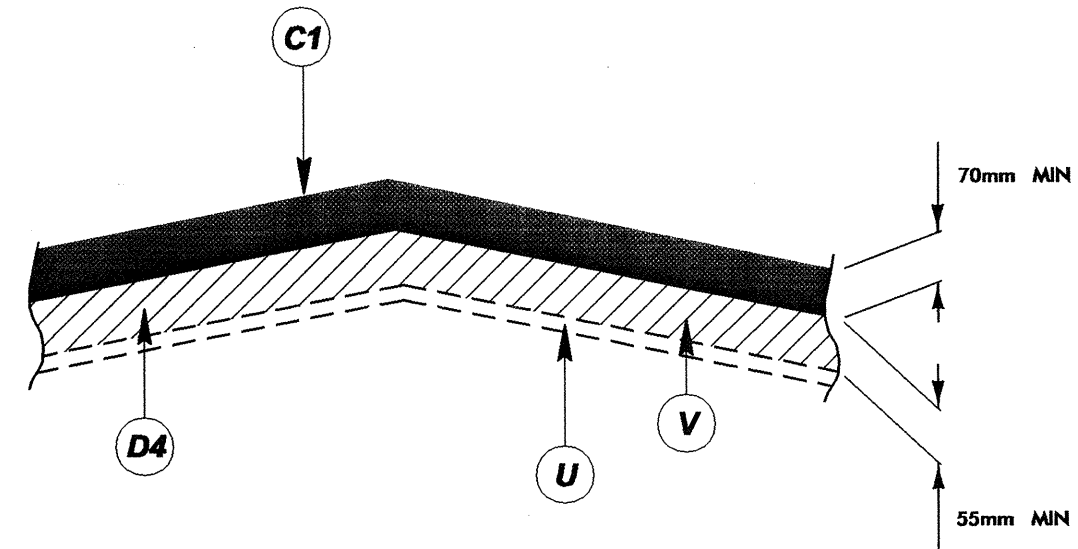


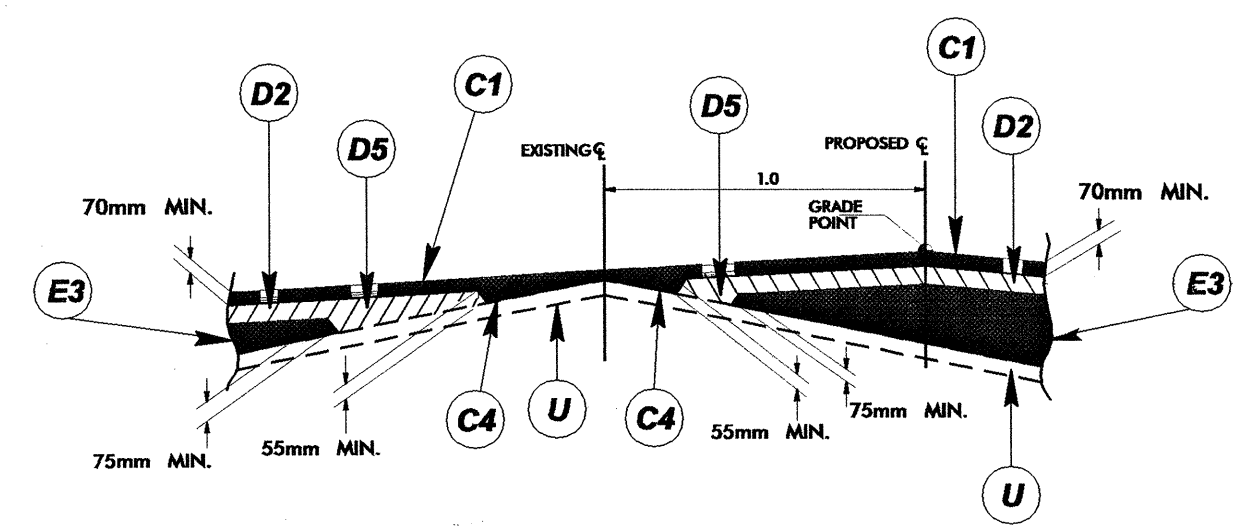
PAVEMENT SCHEDULE	
C1	PROP. APPROX. 70mm ASPHALT CONC. SURFACE COURSE, TYPE S9.5C, AT AN AVERAGE RATE OF 84 kg PER SQ. METER IN EACH OF TWO LAYERS.
C2	PROP. APPROX. 60mm ASPHALT CONC. SURFACE COURSE, TYPE S9.5B, AT AN AVERAGE RATE OF 72 kg PER SQ. METER IN EACH OF TWO LAYERS.
C3	PROP. APPROX. 60mm ASPHALT CONC. SURFACE COURSE, TYPE S9.5C, AT AN AVERAGE RATE OF 72 kg PER SQ. METER IN EACH OF TWO LAYERS.
C4	PROP. VAR. DEPTH ASPHALT CONC. SURFACE COURSE, TYPE S9.5C, AT AN AVERAGE RATE OF 2.40 kg PER SQ. METER PER 1mm DEPTH, TO BE PLACED IN LAYERS NOT TO EXCEED 40 mm IN DEPTH.
D1	PROP. APPROX 100mm ASPHALT CONC. INTERMEDIATE COURSE, TYPE I19.0C, AT AN AVERAGE RATE OF 245 kg PER SQ. METER.
D2	PROP. APPROX. 80mm ASPHALT CONC. INTERMEDIATE COURSE, TYPE I19.0C, AT AN AVERAGE RATE OF 196 kg PER SQ. METER.
D3	PROP. APPROX. 70mm ASPHALT CONC. INTERMEDIATE COURSE, TYPE I19.0C, AT AN AVERAGE RATE OF 172 kg PER SQ. METER.
D4	PROP. APPROX. 55mm ASPHALT CONC. INTERMEDIATE COURSE, TYPE I19.0C, AT AN AVERAGE RATE OF 135 kg PER SQ. METER.
D5	PROP. VAR. DEPTH ASPHALT CONC. INTERMEDIATE COURSE, TYPE I19.0C, AT AN AVERAGE RATE OF 2.45 kg PER SQ. METER PER 1mm DEPTH, TO BE PLACED IN LAYERS NOT LESS THAN 55mm OR GREATER THAN 110mm DEPTH.
E1	PROP. APPROX. 140 mm ASPHALT CONC. BASE COURSE, TYPE B25.0C, AT AN AVERAGE RATE OF 343 kg PER SQ. METER.
E2	PROP. APPROX. 100 mm ASPHALT CONC. BASE COURSE, TYPE B25.0B, AT AN AVERAGE RATE OF 245 kg PER SQ. METER.
E3	PROP. VAR. DEPTH ASPHALT CONC. BASE COURSE, TYPE B25.0C, AT AN AVERAGE RATE OF 2.45 kg PER SQ. METER PER 1mm DEPTH, TO BE PLACED IN LAYERS NOT LESS THAN 75mm IN DEPTH OR GREATER THAN 140mm IN DEPTH.
E4	PROP. VAR. DEPTH ASPHALT CONC. BASE COURSE, TYPE B25.0B, AT AN AVERAGE RATE OF 2.45 kg PER SQ. METER PER 1mm DEPTH, TO BE PLACED IN LAYERS NOT LESS THAN 75mm IN DEPTH OR GREATER THAN 140mm IN DEPTH.
J1	PROP. 250mm AGGREGATE BASE COURSE.
J2	PROP. 150mm AGGREGATE BASE COURSE.
R1	125mm MONOLITHIC CONCRETE ISLAND.
T	EARTH MATERIAL.
U	EXISTING PAVEMENT.
V	MILLING ASPHALT PAVEMENT, 55mm DEPTH (SEE STANDARD MILLING DETAIL SHEET NO. 2).
W	VARIABLE DEPTH ASPHALT PAVEMENT (SEE STANDARD WEDGING DETAIL SHEET NO. 2).

ALL PAVEMENT EDGE SLOPES ARE 1:1 UNLESS OTHERWISE NOTED

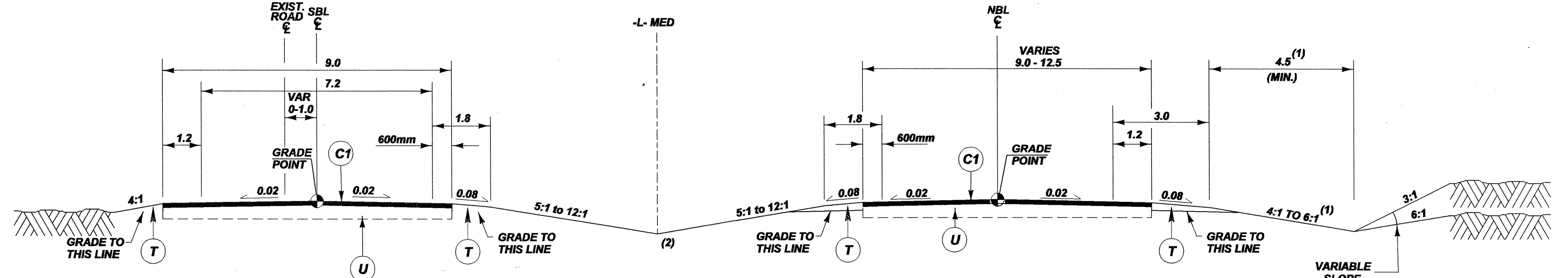


STANDARD MILLING DETAIL

* MILL EXISTING PAVEMENT TO A DEPTH OF 55mm AS NEEDED AND REPLACE MILLED ASPHALT WITH 55mm OF I19.0C. THEN OVERLAY THE ENTIRE ROAD WITH 70MM OF S9.5C.

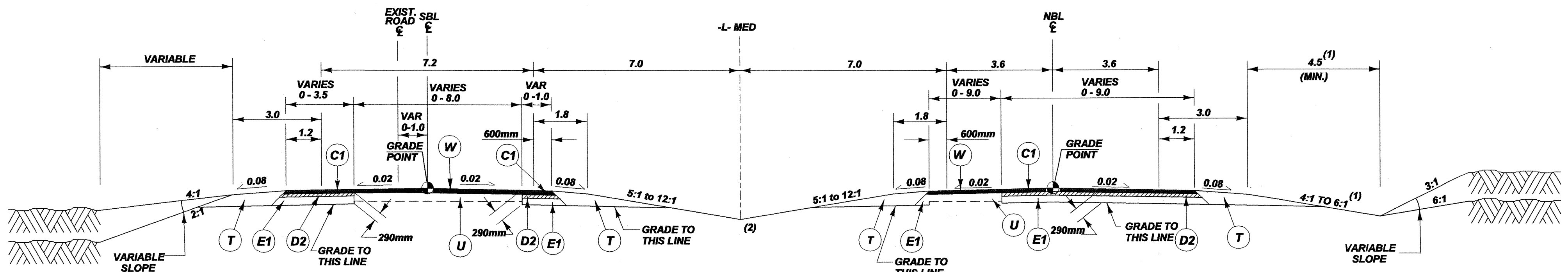


STANDARD WEDGING DETAIL



TYPICAL SECTION NO. 1

USE TYPICAL SECTION NO. 1 FOR:
 -L MED-: STA. 99+00 TO STA. 100+80 (RESURFACING)



TYPICAL SECTION NO. 2

USE TYPICAL SECTION NO. 2 FOR:
 -L MED-: STA. 100+80 TO STA. 104+80+/-

NOTES:

- (1) VARIES WHERE SPECIAL CUT DITCH GRADES OCCUR.
- (2) SEE PROFILES & X-SECTIONS FOR MEDIAN DITCH GRADES AND SLOPES.

6/16/2019
 C:\CAD\70701\07-Sub\2004\542-Roadway\R-2514A_RDV_T.TIF.dgn