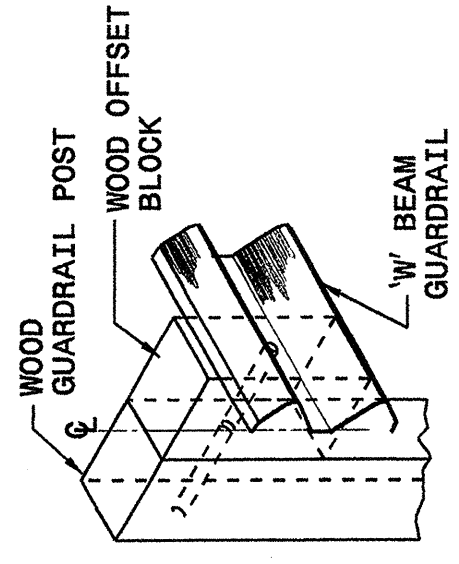
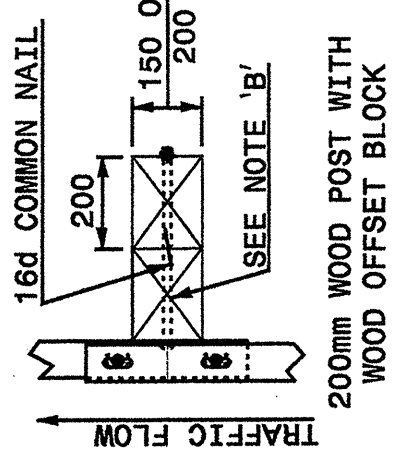
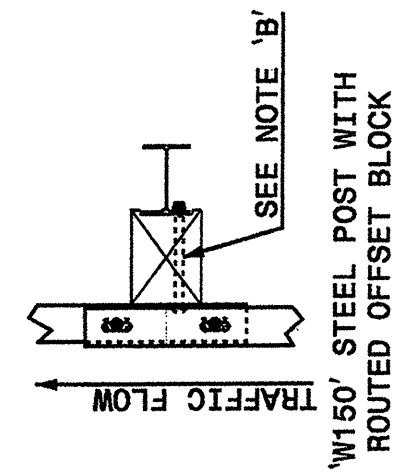
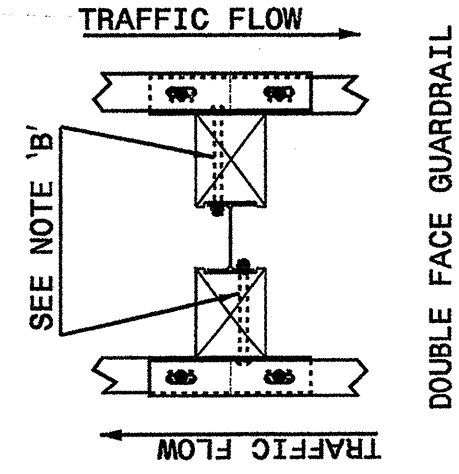


22-MAY-2003 12:13
 W:\Special_Details\erjover\d\stds\02\Stds to Special_Details\metric\86202_0862d02.m.dgn
 erjover A1 US212260

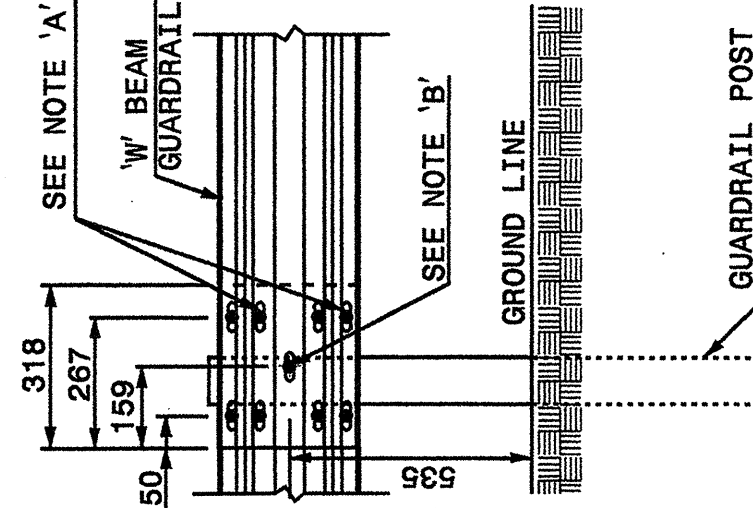
STATE OF
 NORTH CAROLINA
 DEPT. OF TRANSPORTATION
 DIVISION OF HIGHWAYS
 RALEIGH, N.C.

METRIC DETAIL DRAWING FOR
GUARDRAIL INSTALLATION

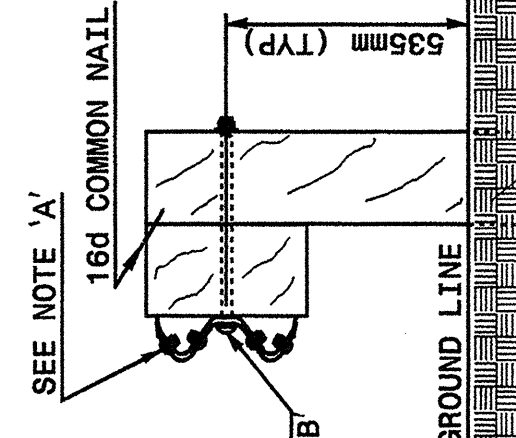
SHEET 3 OF 7
862D02



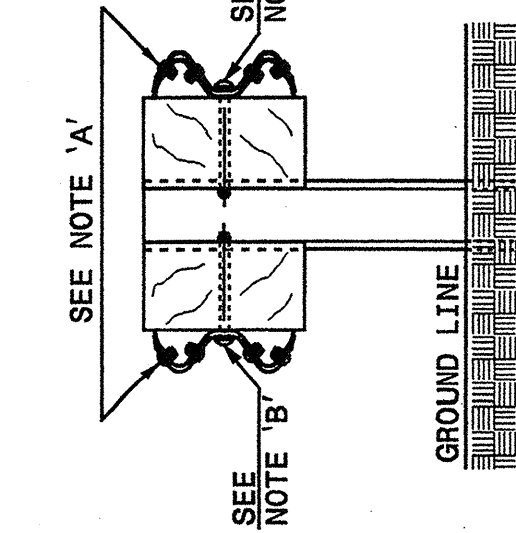
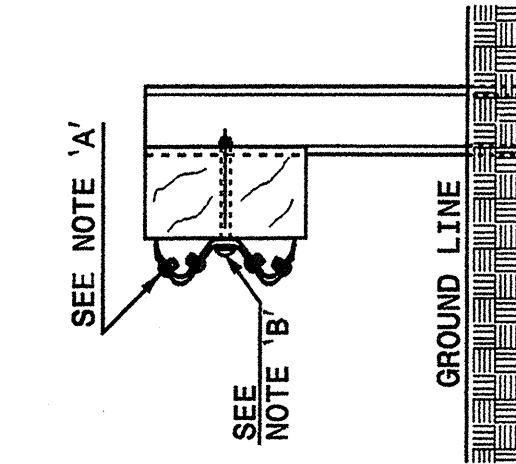
ISOMETRIC VIEWS



FRONT



SIDE



NOTES:
 A - 16mm DIA. BUTTON HEAD SPLICE BOLT 32mm LONG WITH STD. WASHER UNDER NUT (8 REQ. PER SPLICE JOINT).
 B - 16mm DIA. BUTTON HEAD BOLT 190mm/228mm LONG WITH NUT FOR BOLTING 150mm/200mm ROUTED OFFSET BLOCK TO STEEL POSTS OR 16mm DIA. BUTTON HEAD BOLT 457mm LONG WITH STD. WASHER UNDER NUT FOR BOLTING TO WOOD POSTS (1 REQ. PER LOCATION)
 C - FIELD PUNCH HOLES INTO THE GUARDRAIL AS DIRECTED BY THE ENGINEER.

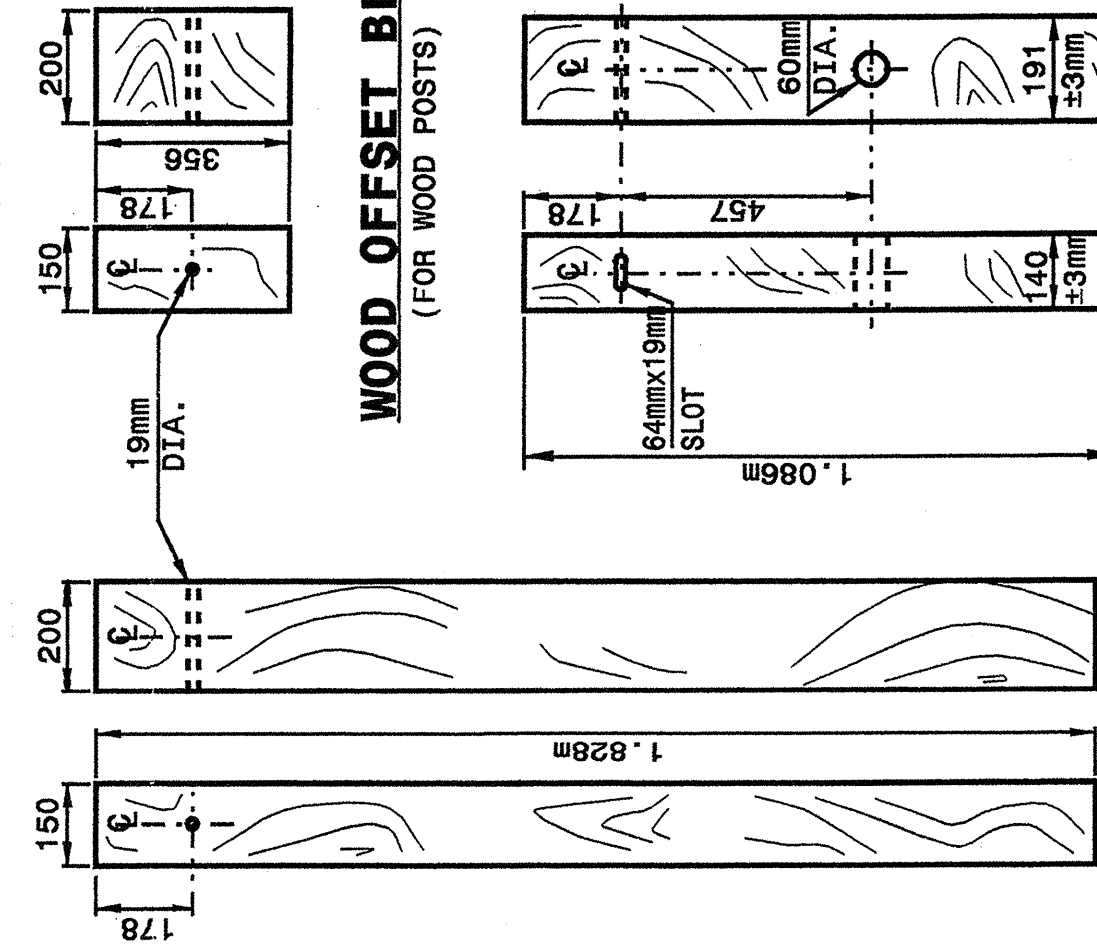
Note:
 This drawing is dimensioned in millimeters unless otherwise depicted within the drawing.

TYPICAL GUARDRAIL AND GUARDRAIL POST ALTERNATIVES

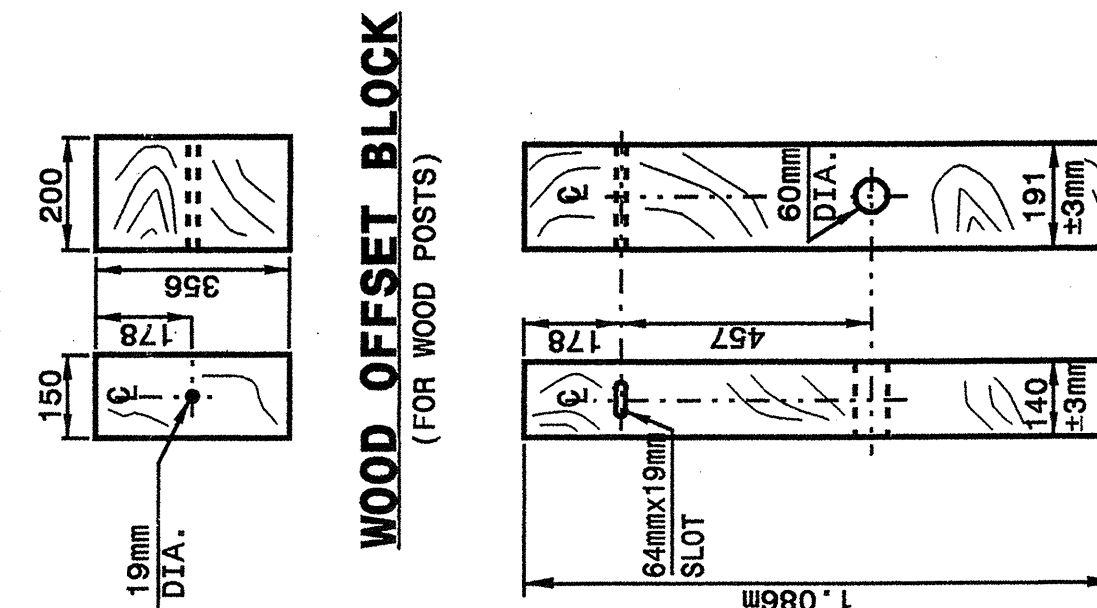
STATE OF
 NORTH CAROLINA
 DEPT. OF TRANSPORTATION
 DIVISION OF HIGHWAYS
 RALEIGH, N.C.

METRIC DETAIL DRAWING FOR
GUARDRAIL INSTALLATION

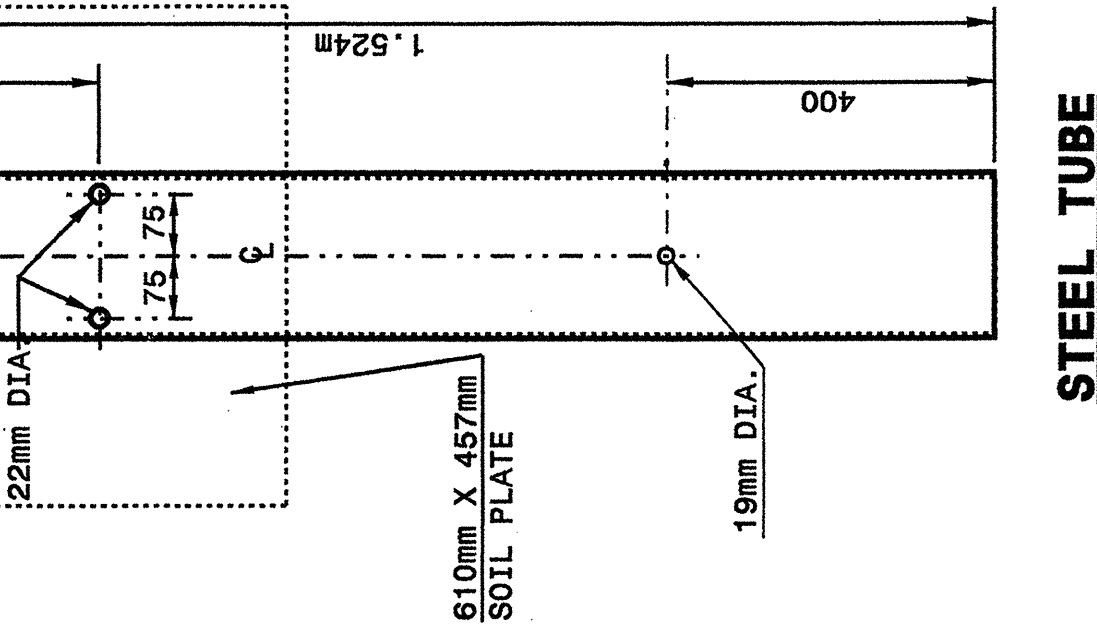
SHEET 4 OF 7
862D02



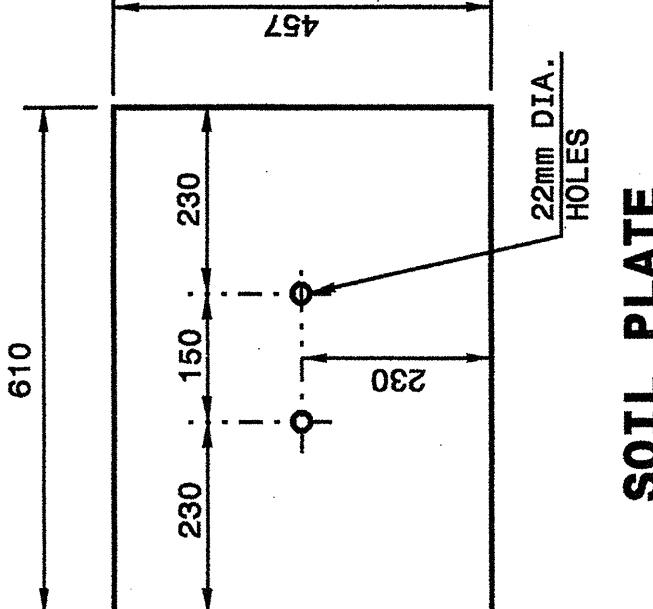
STANDARD LINE POST



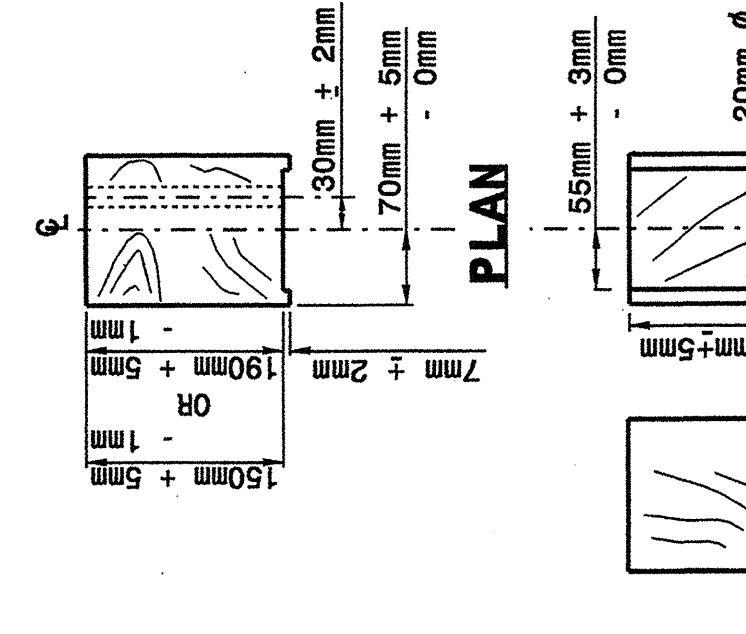
SHORT WOOD BREAKAWAY POST



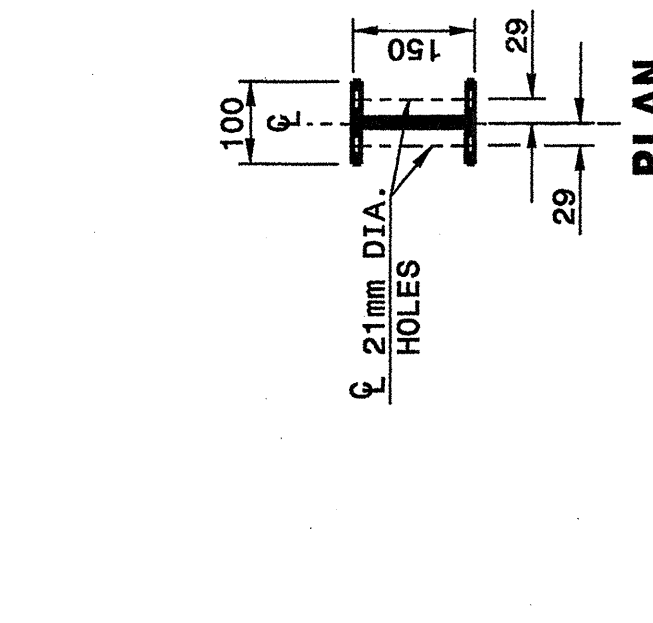
STEEL TUBE
 TS 150mmx200mmx5mm



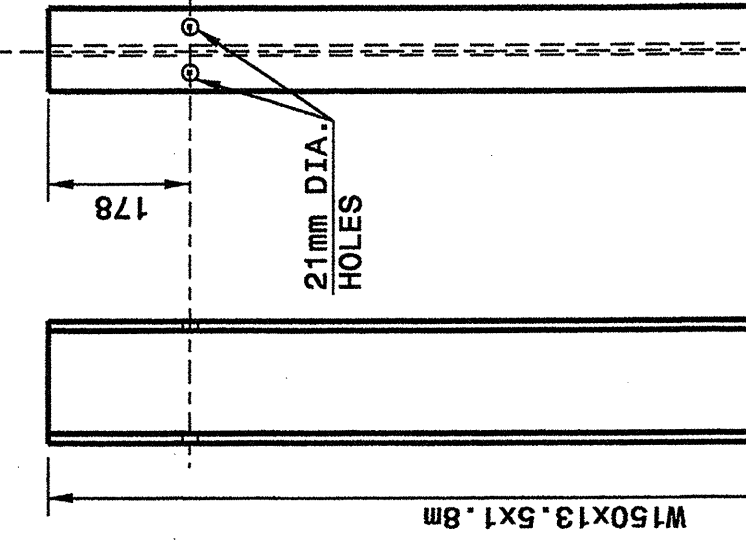
SOIL PLATE
 6mm THICK



ROUTED WOOD OFFSET BLOCK

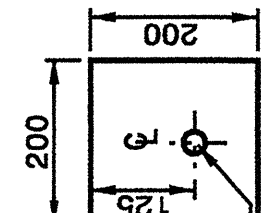


W150 STEEL POST



W150 STEEL POST

BEARING PLATE
 16mm THICK PLATE



Note:
 This drawing is dimensioned in millimeters unless otherwise depicted within the drawing.

SYSTEM PARTS

DESIGN SERVICES UNIT
 STANDARDS AND SPECIAL DESIGN
 Office 919-250-4128 FAX 919-250-4119

SEE PLATE FOR TITLE

ORIGINAL BY: 2002 STD.862.02 DATE:
 MODIFIED BY: E.E. WARD DATE: 02-09-03
 CHECKED BY: DATE: 5-02
 FILE SPEC.: /usr/stds/02todet/1/metric/86202/862d02.m.dgn

