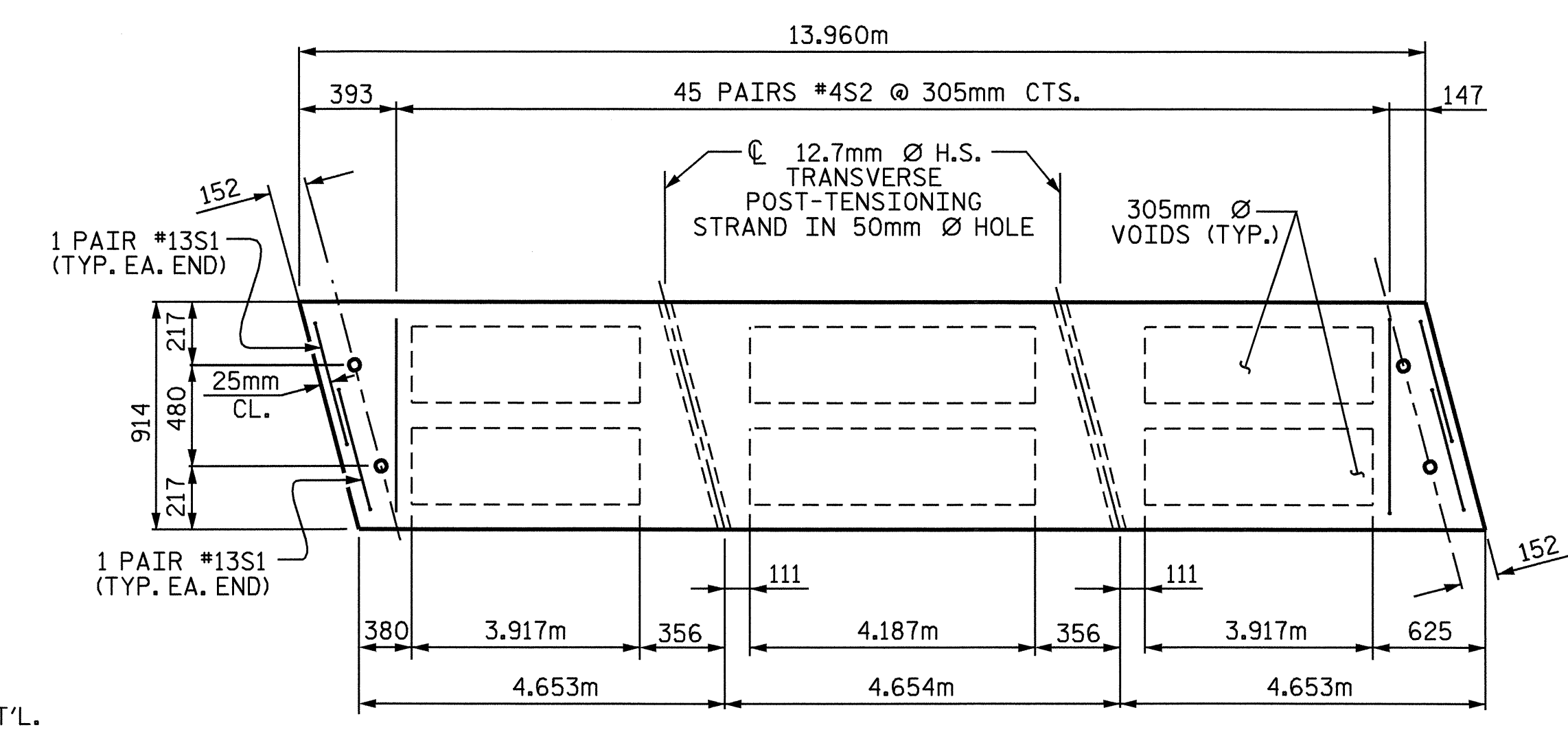
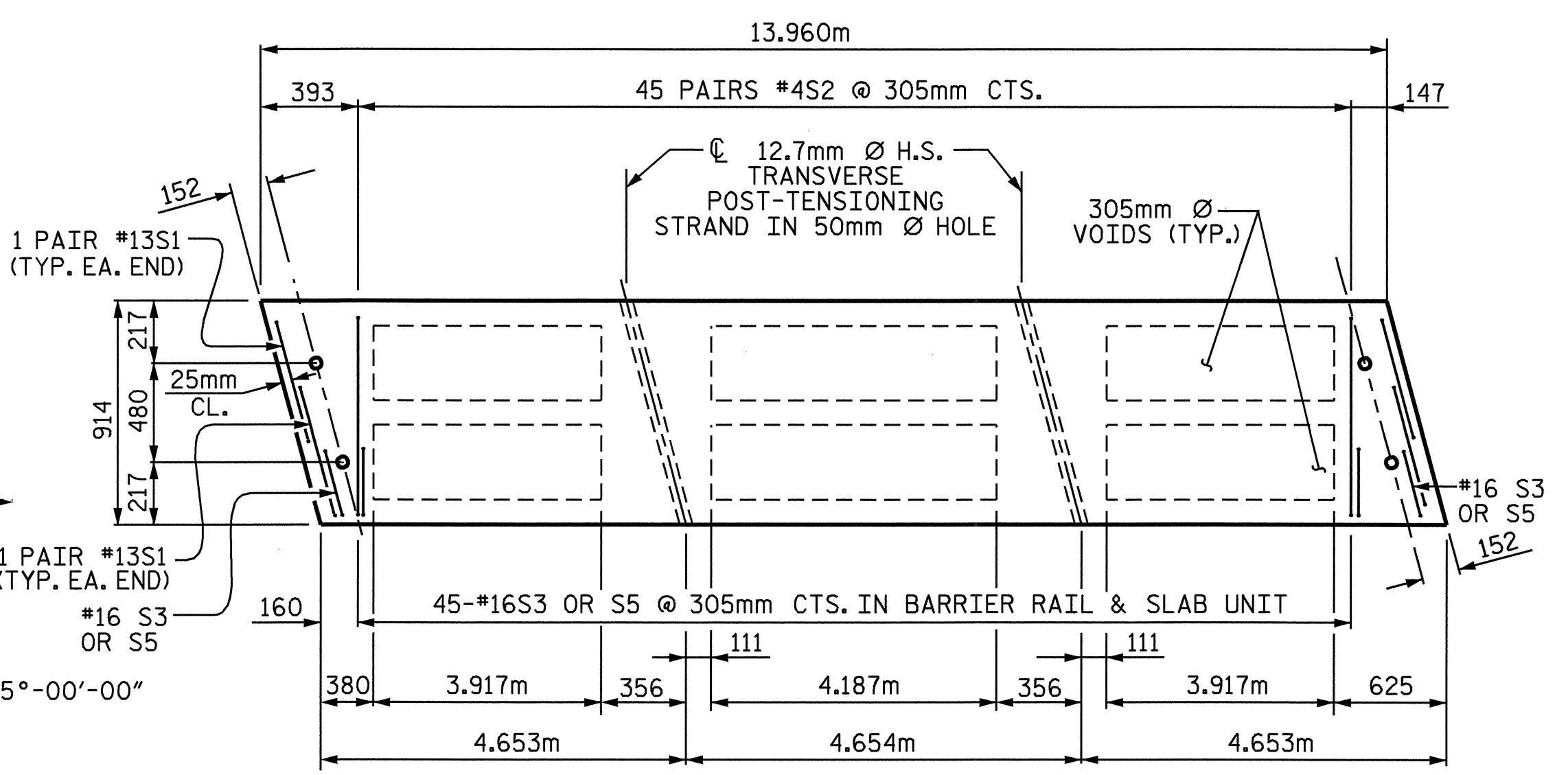


PLAN OF SPAN "A"



PLAN OF INTERIOR CORED SLAB UNIT



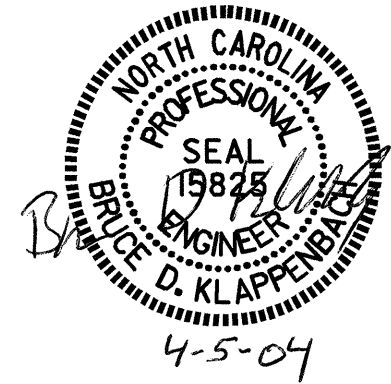
PLAN OF EXTERIOR CORED SLAB UNIT

PROJECT NO. R-2514A
ONSLow COUNTY
 STATION: 182+87.400-L-MED

SHEET 2 OF 5

STATE OF NORTH CAROLINA
 DEPARTMENT OF TRANSPORTATION
 RALEIGH

SUPERSTRUCTURE
 PLAN OF SPAN "A"
 (LEFT LANE)



REVISIONS				SHEET NO.	
NO.	BY:	DATE:	NO.	BY:	DATE:
1			3		
2			4		

TOTAL SHEETS: 46

DRAWN BY: M. G. SHAIKH DATE: 3-8-03
 CHECKED BY: D. A. GLADDEN DATE: 4-28-03