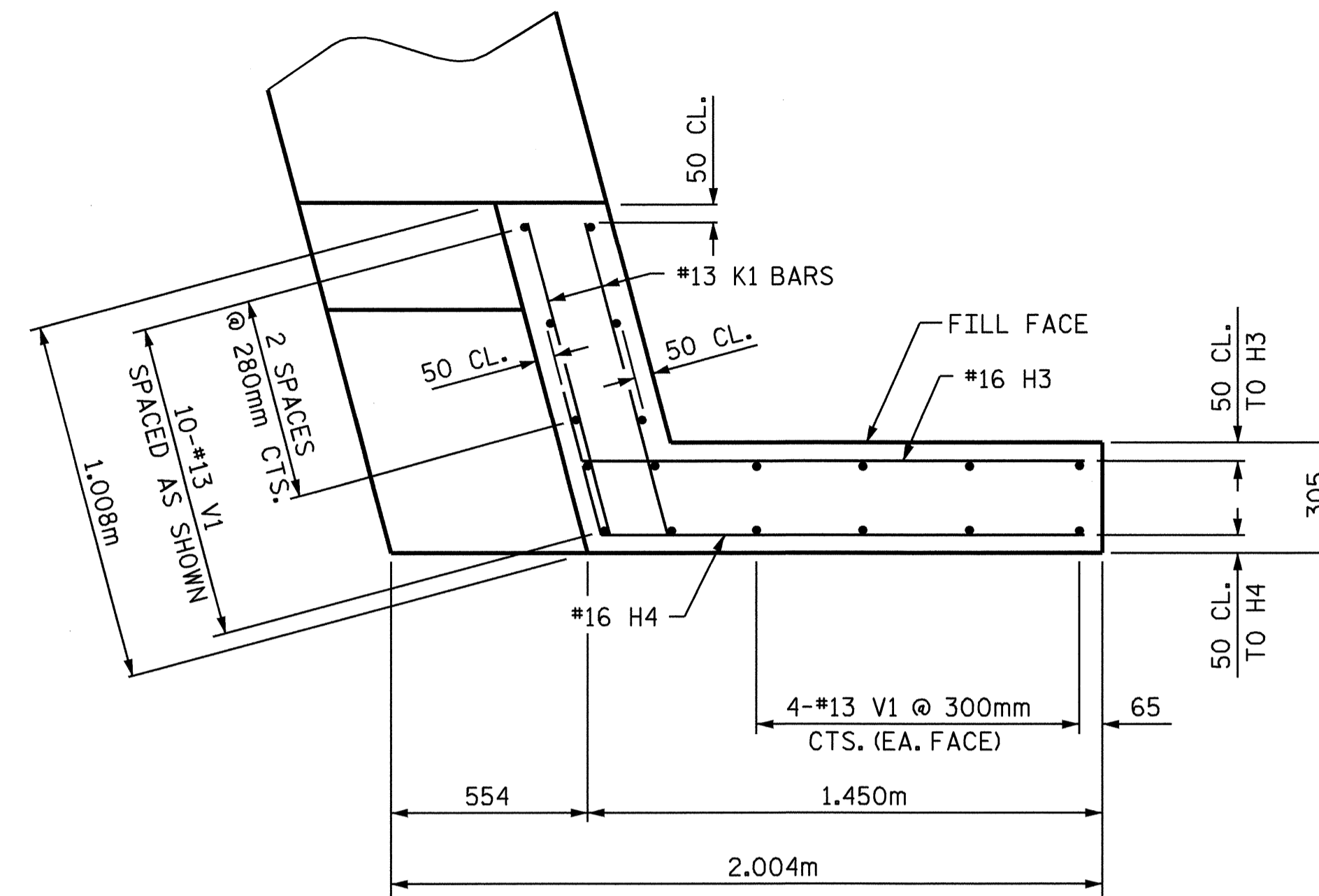
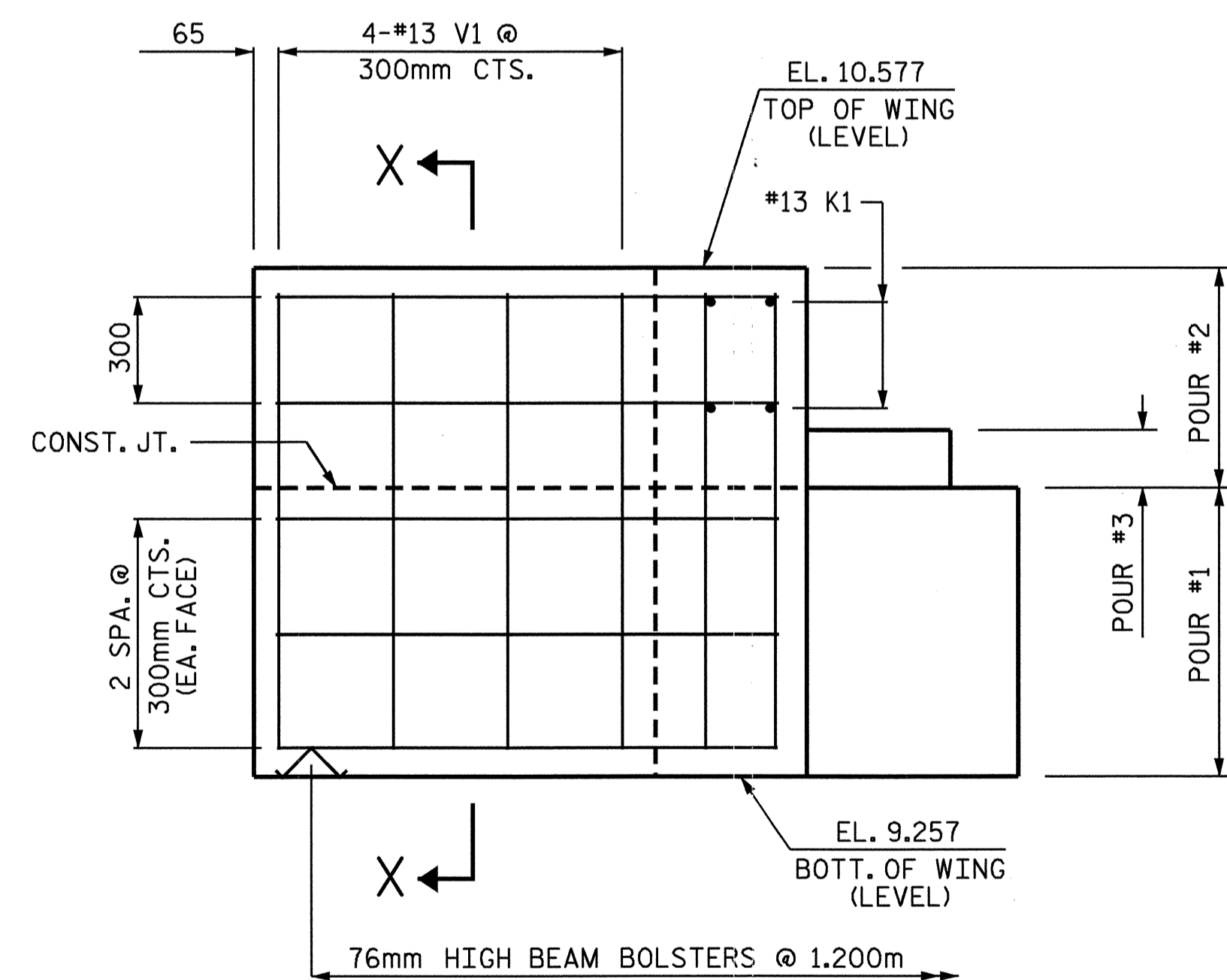


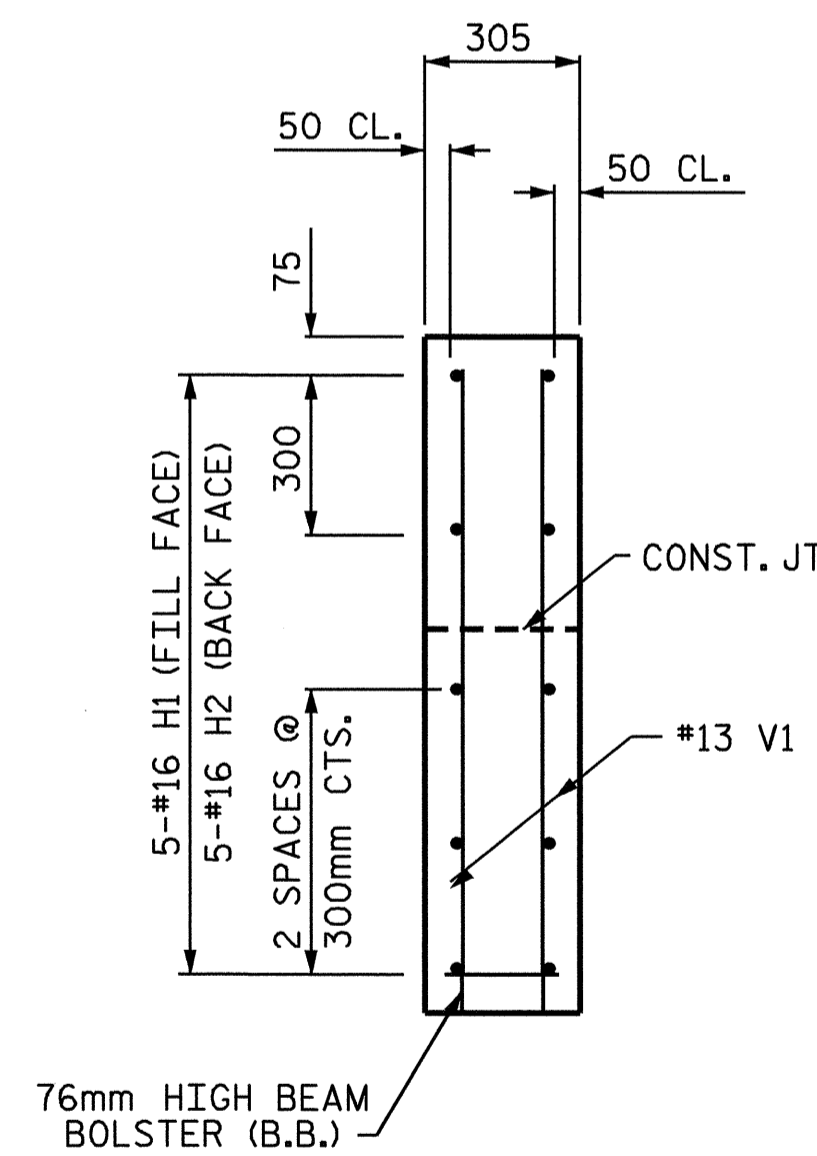
PLAN OF WING - W1



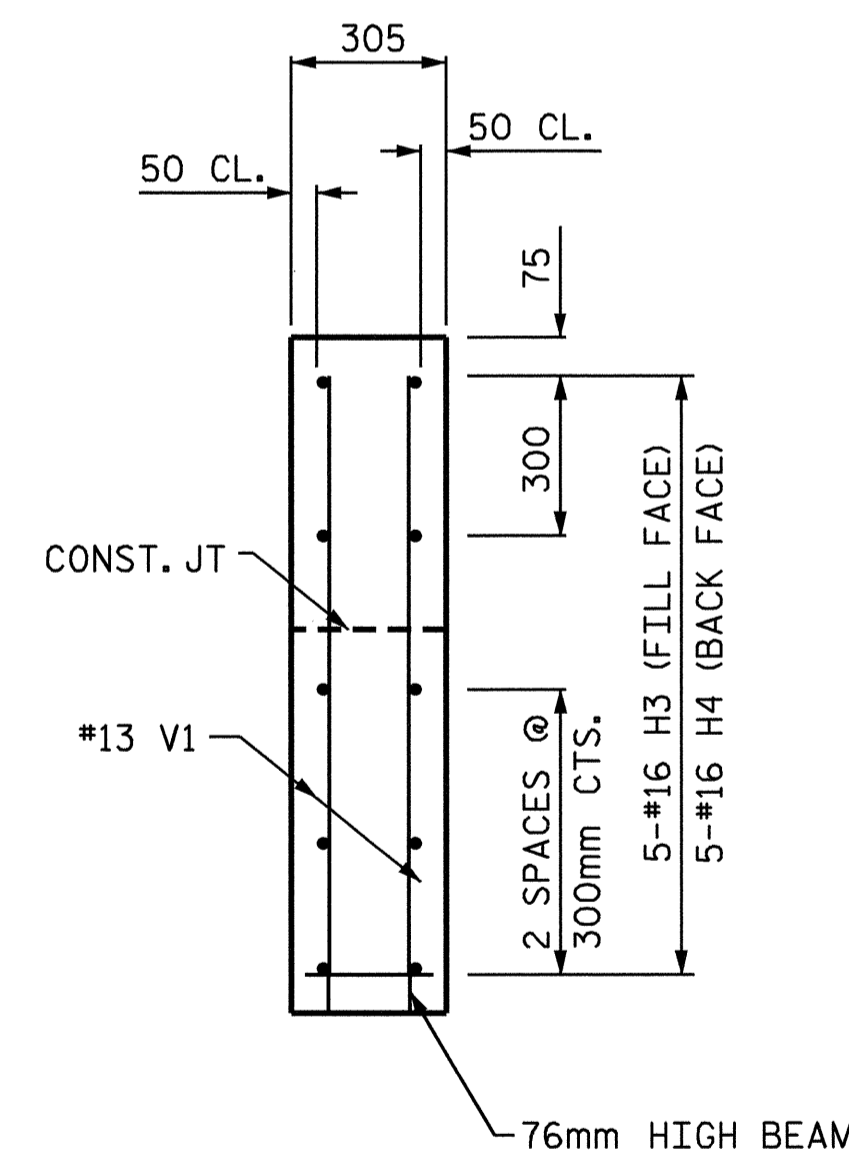
PLAN OF WING - W2



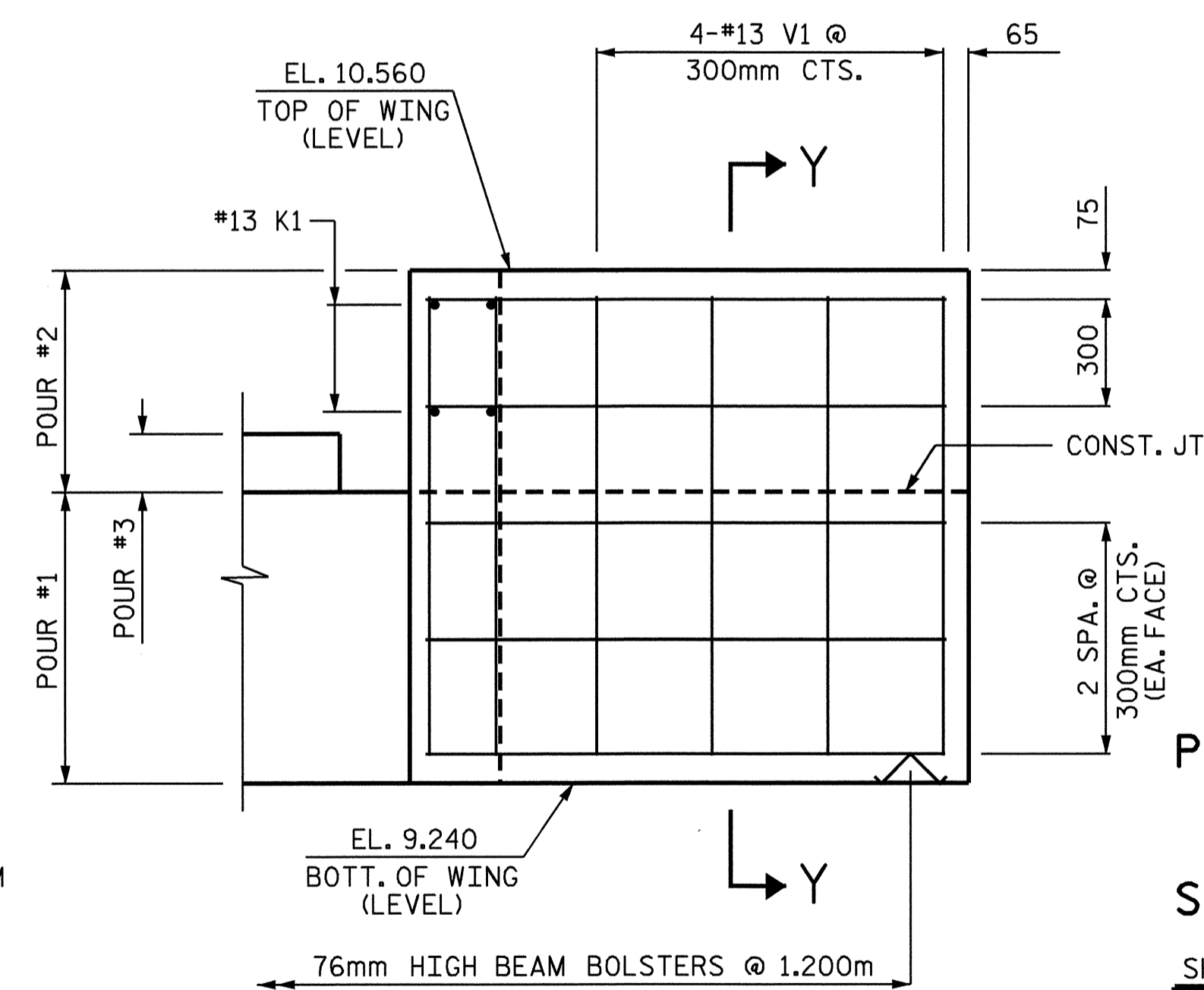
ELEVATION OF WING - W1



SECTION X-X



SECTION Y-Y



ELEVATION OF WING - W2

PROJECT NO. R-2514A
 ONSLOW COUNTY
 STATION: 182+87.400 -L- MED.

SHEET 2 OF 3

STATE OF NORTH CAROLINA
 DEPARTMENT OF TRANSPORTATION
 RALEIGH

SUBSTRUCTURE
 END BENT #2
 (RIGHT LANE)



DRAWN BY: J.B. WILSON DATE: 11/03
 CHECKED BY: G.M. Patterson DATE: 11/03

REVISIONS						SHEET NO. S-40
NO.	BY:	DATE:	NO.	BY:	DATE:	
1			3			TOTAL SHEETS 46
2			4			