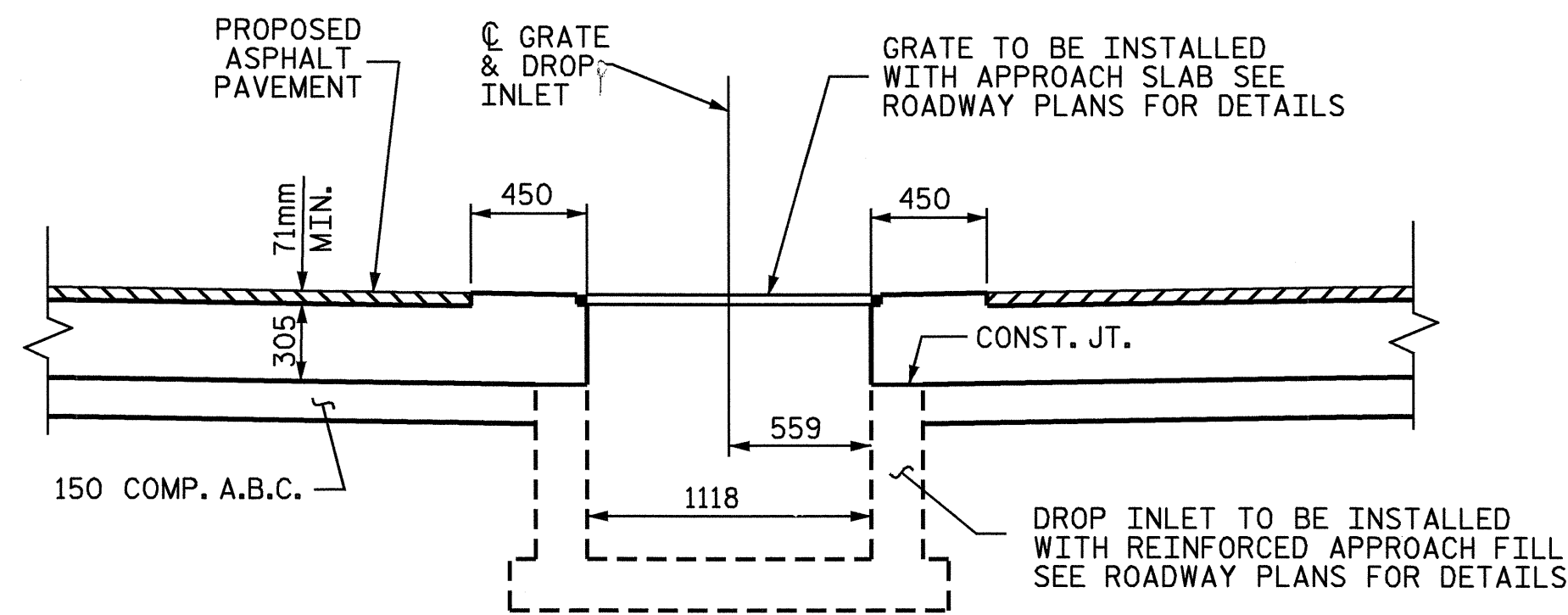
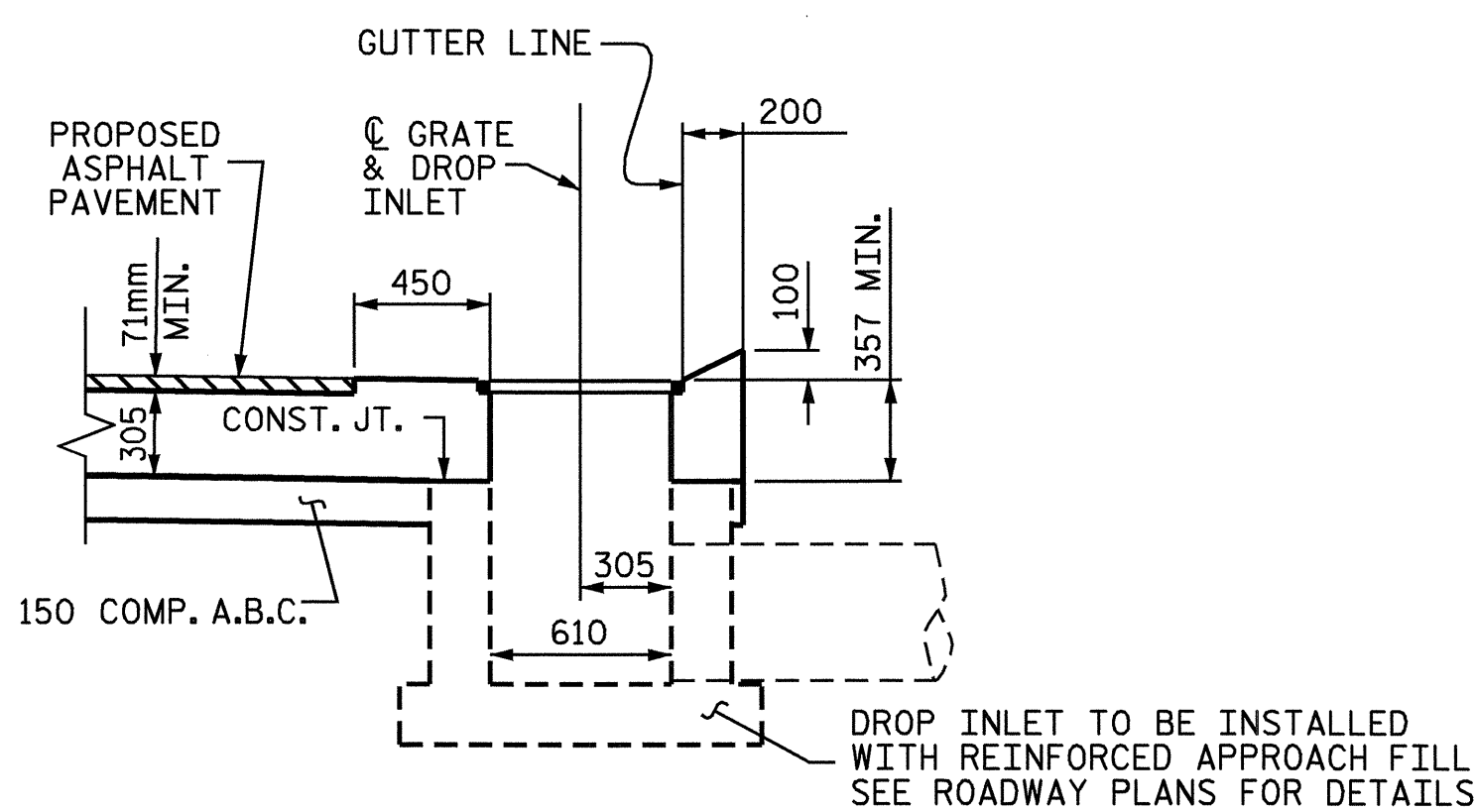


TYPICAL PART PLAN

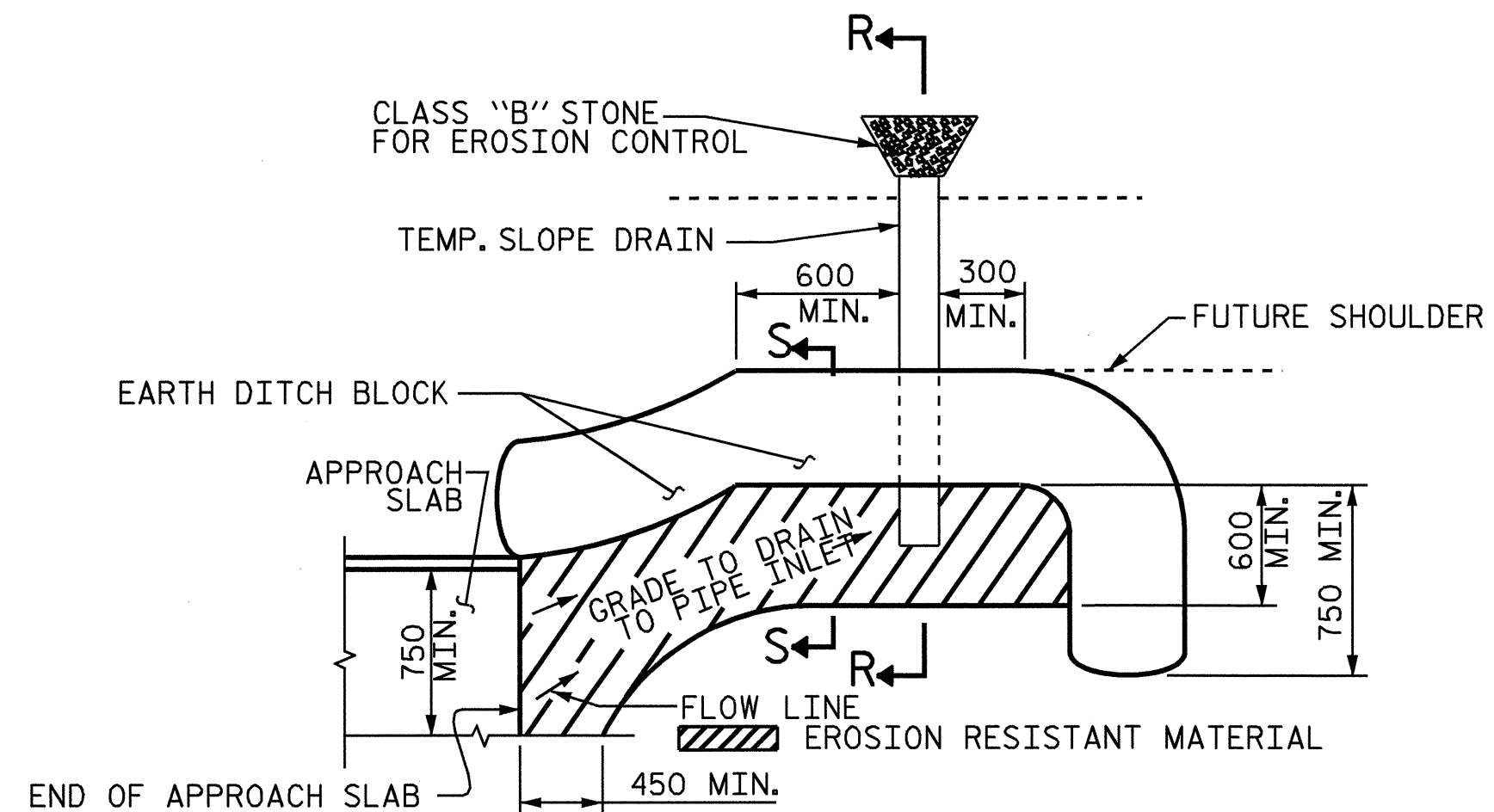
NOTE: DROP INLET AND GRATE ARE ROADWAY PAY ITEMS. SEE ROADWAY PLANS FOR DETAILS.



SECTION A-A



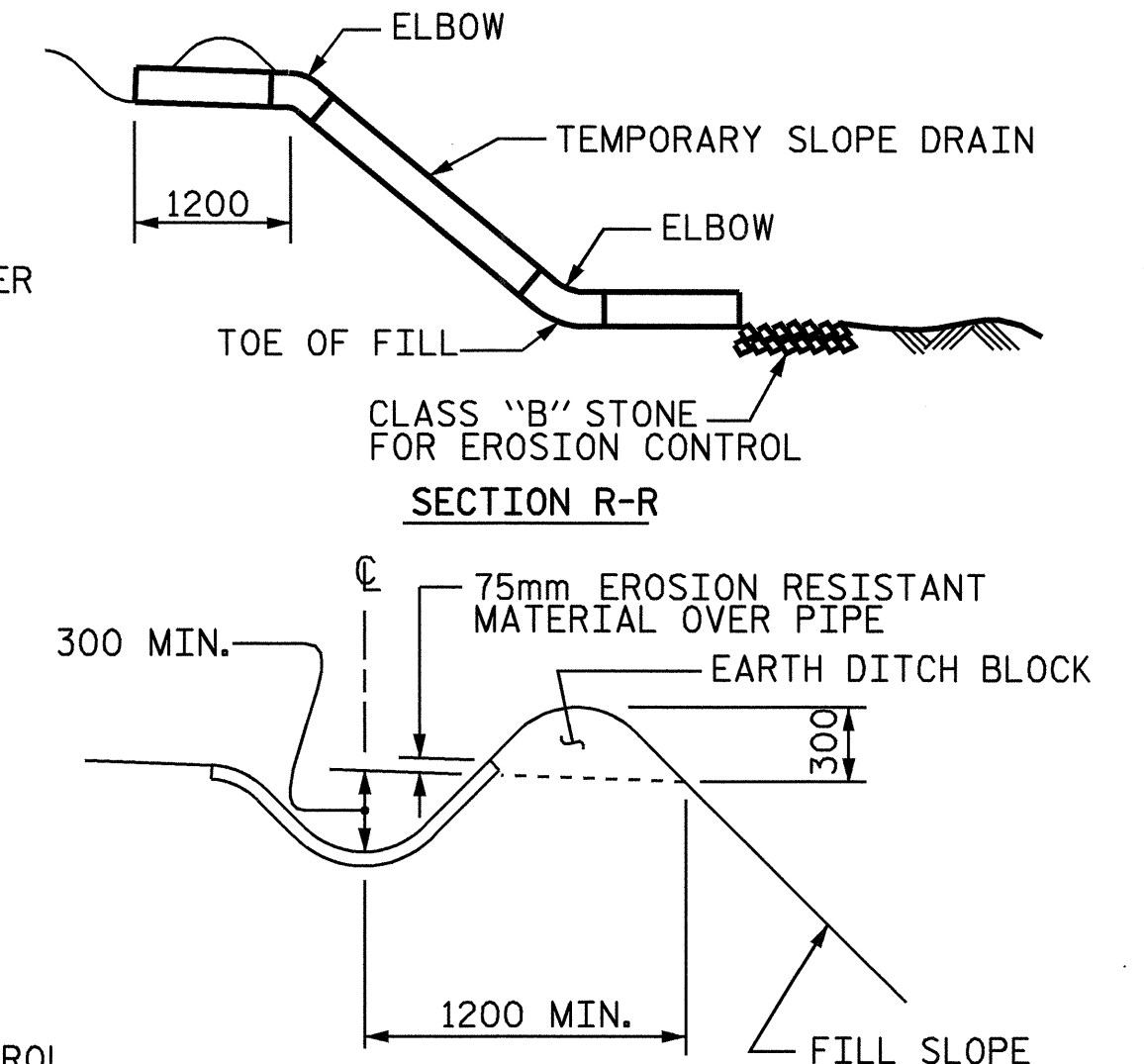
SECTION B-B



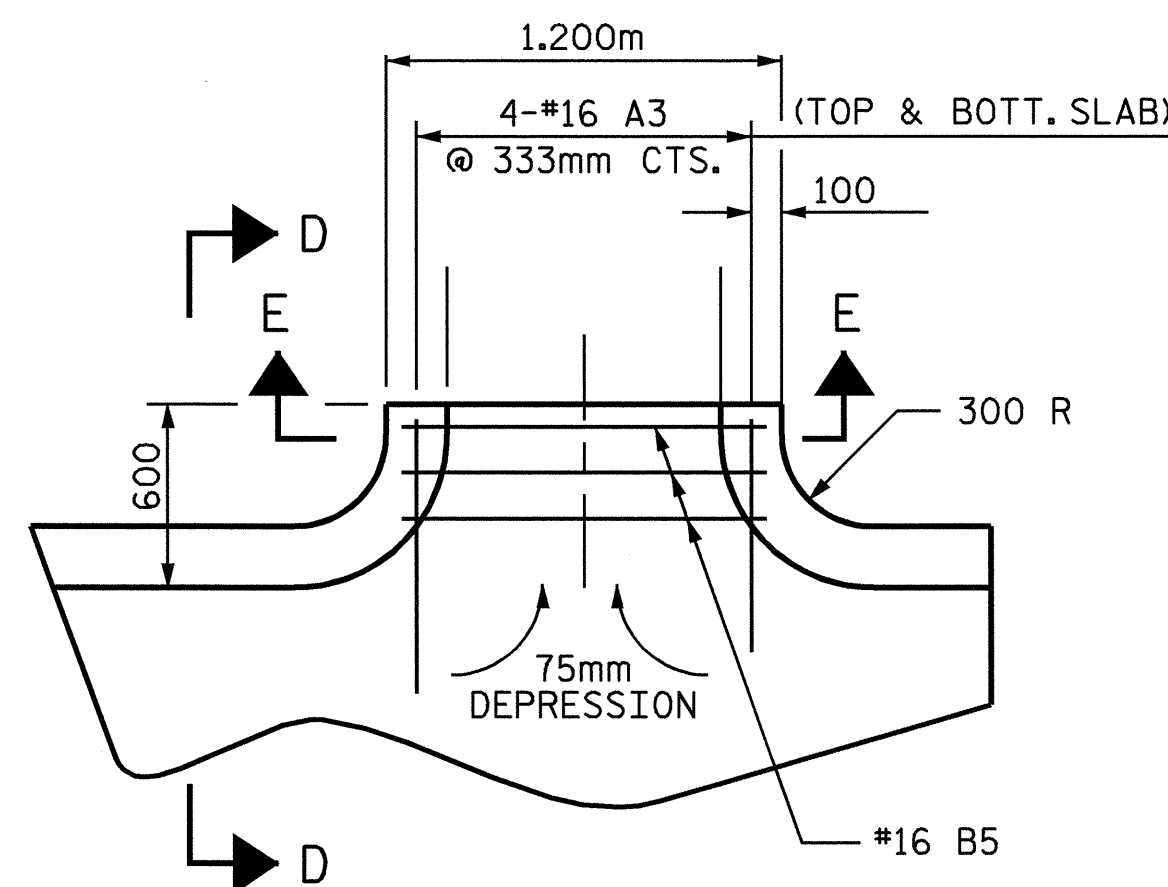
PLAN VIEW

TEMPORARY BERM AND SLOPE DRAIN DETAILS

NOTE: IMMEDIATELY AFTER THE CONSTRUCTION OF THE APPROACH SLAB, THE CONTRACTOR SHALL PROVIDE TEMPORARY BERM AND SLOPE DRAIN. CONTRACTOR SHALL GRADE TO PIPE INLET AND PROVIDE EROSION RESISTANT MATERIAL AS SHOWN. THE EROSION RESISTANT MATERIAL SHALL BE EITHER 1) ASPHALT PLANT MIX, TYPE 1 OR TYPE 2, MIN. 50mm DEPTH, 2) EROSION CONTROL MAT, OR 3) CONCRETE, AS DIRECTED BY THE ENGINEER. THE SLOPE DRAIN SHALL CONSIST OF A NON-PERFORATED TEMPORARY DRAINAGE PIPE, 305mm IN DIAMETER.



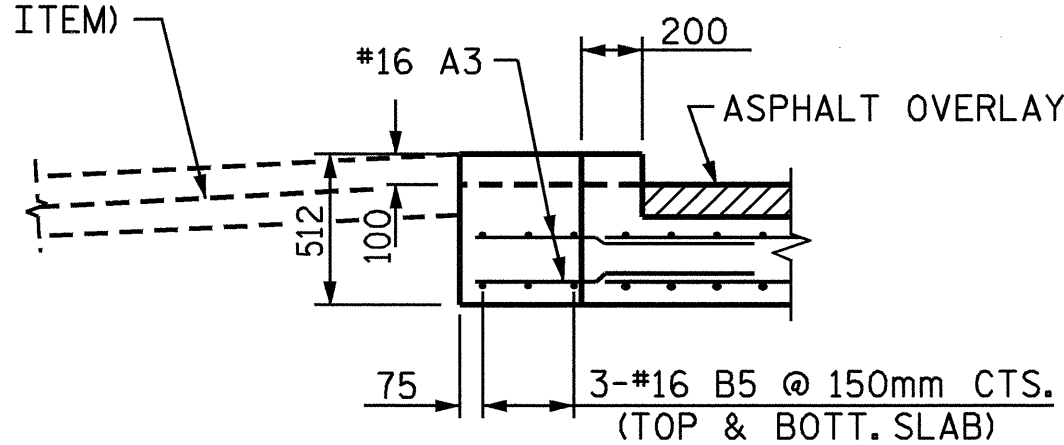
SECTION S-S



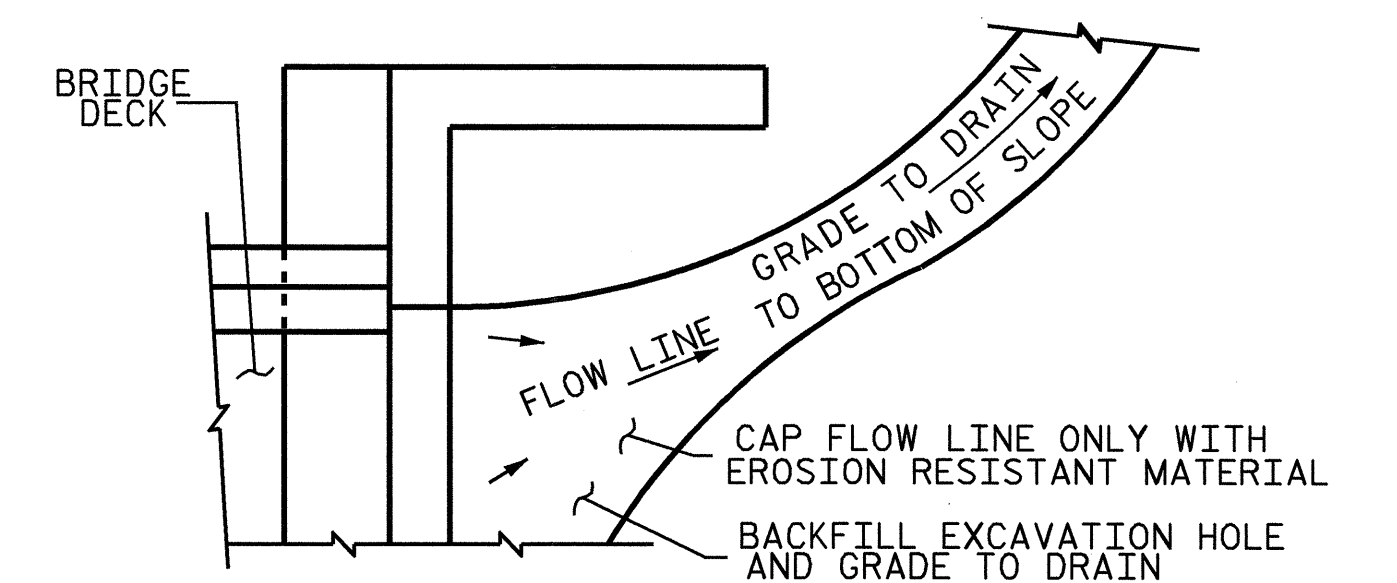
PLAN

(FOR MODIFIED CONCRETE FLUME PLACEMENT)

MODIFIED CONCRETE FLUME (ROADWAY DETAIL & PAY ITEM)

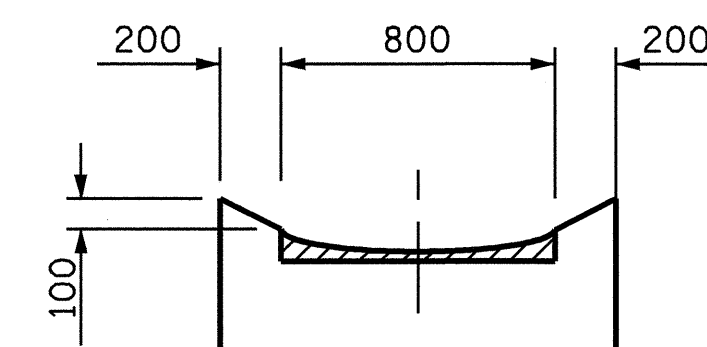


SECTION D-D



NOTE: IF THE APPROACH SLAB IS NOT CONSTRUCTED IMMEDIATELY AFTER THE BACKFILLING OF THE END BENT EXCAVATION, GRADE TO DRAIN TO THE BOTTOM OF THE SLOPE AND PROVIDE EROSION RESISTANT MATERIAL, SUCH AS FIBERGLASS ROVING OR AS DIRECTED BY THE ENGINEER TO PREVENT SOIL EROSION AND TO PROTECT THE AREA ADJACENT TO THE STRUCTURE. THE CONTRACTOR WILL BE REQUIRED TO REMOVE THESE MATERIALS PRIOR TO CONSTRUCTION OF THE APPROACH SLAB.

TEMPORARY DRAINAGE DETAIL



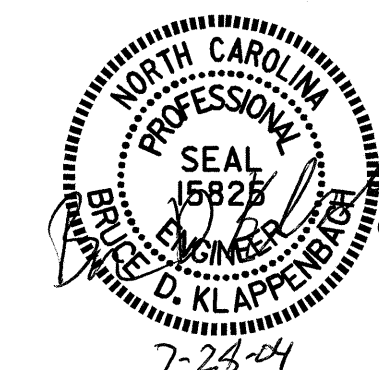
SECTION E-E

PROJECT NO. R-2514A
 ONSLOW COUNTY
 STATION: 182+87.400-L-MED

SHEET 4 OF 4

STATE OF NORTH CAROLINA
 DEPARTMENT OF TRANSPORTATION
 RALEIGH

BRIDGE APPROACH
 SLAB DETAILS
 (RIGHT LANE)



REVISIONS					SHEET NO.
NO.	BY:	DATE:	NO.	BY:	DATE:
1			3		
2			4		

DRAWN BY : J.B. WILSON DATE : 4/04
 CHECKED BY : G.M. PATTERSON DATE : 7/04

28-JUL-2004 09:59
 w:\squad1\R2514a\Strland2\jwilson\Microstation\R-2514A_sd_AS.02.dgn
 bklappenbach