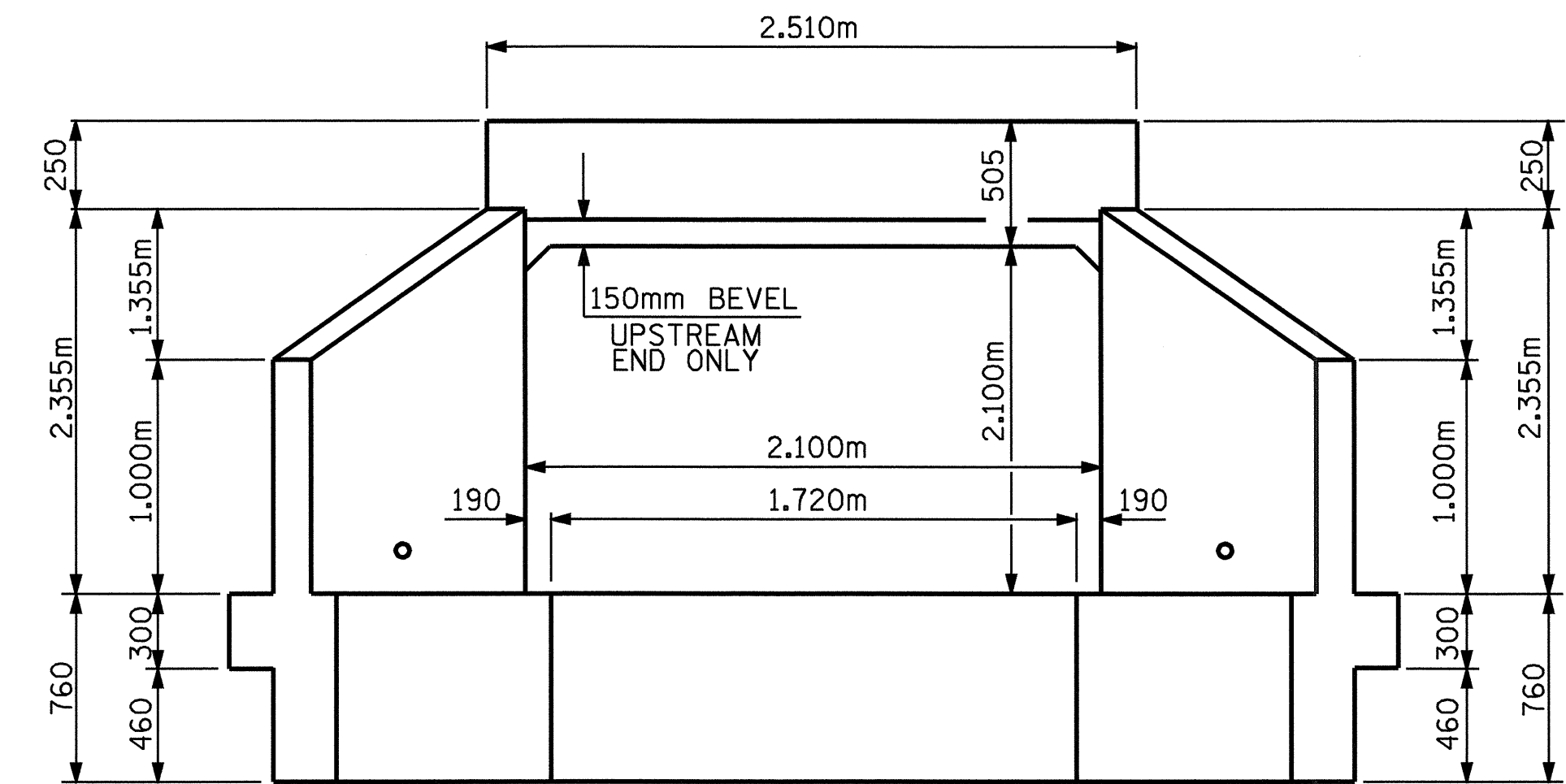
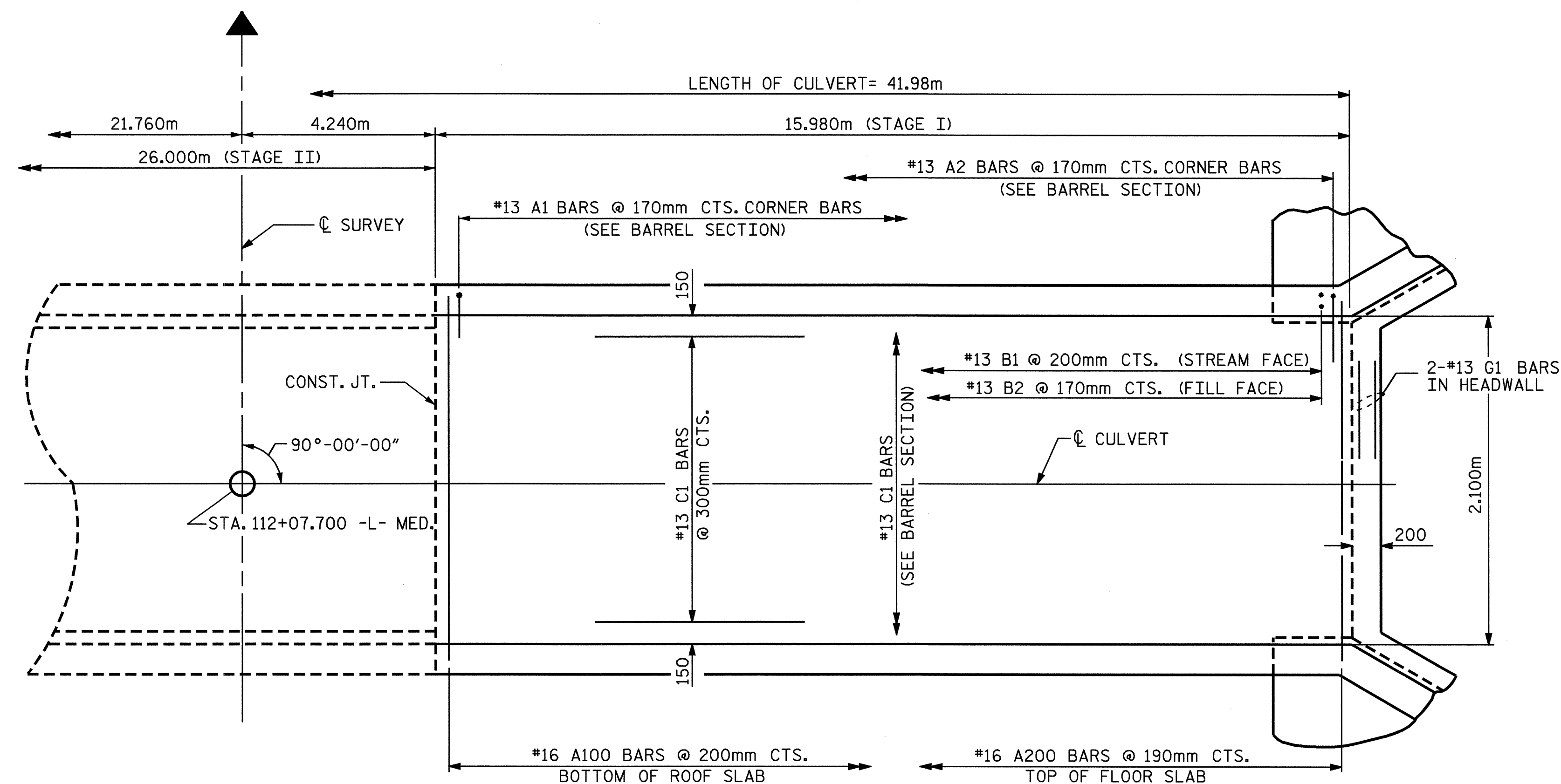


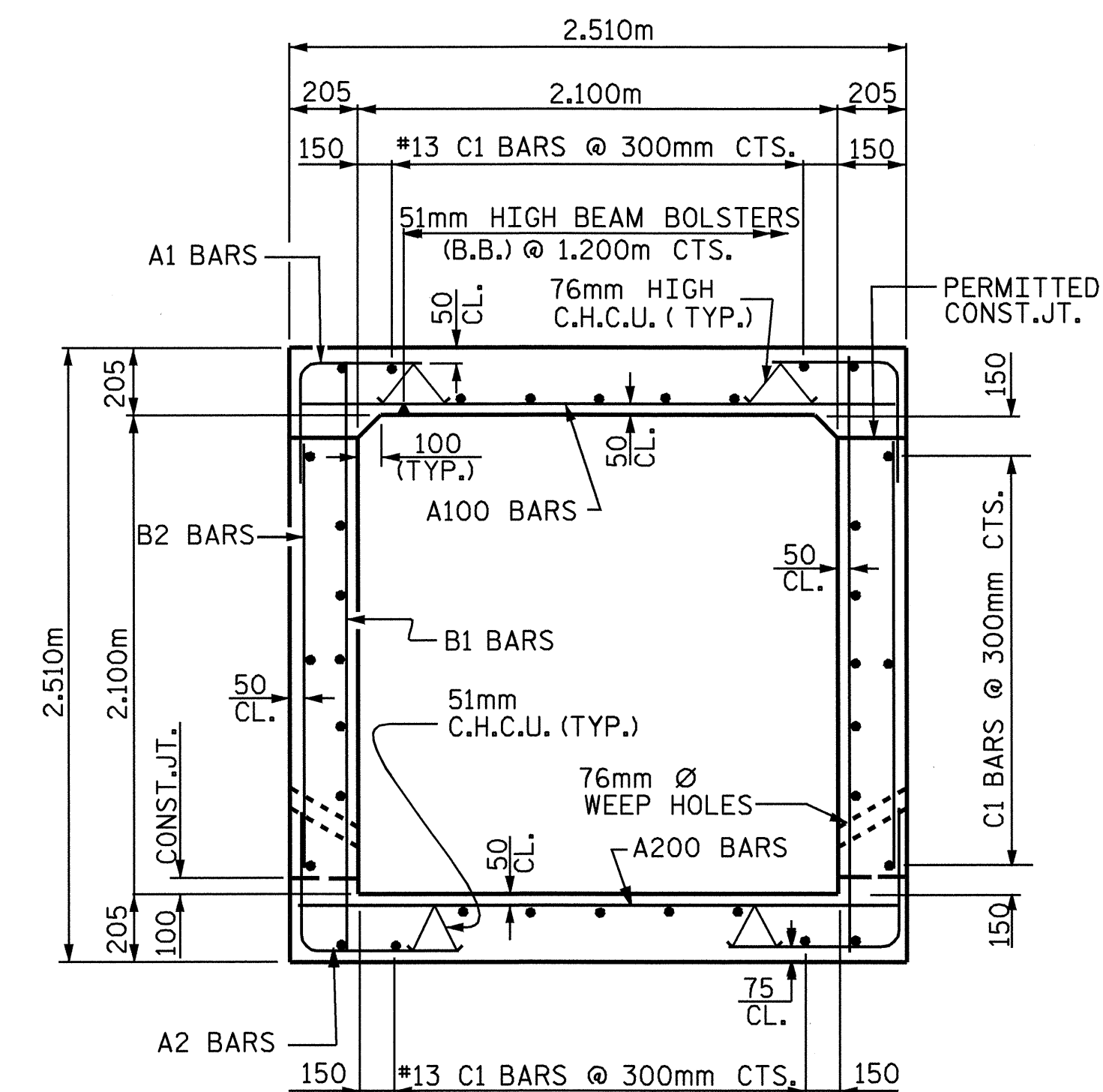
CULVERT SECTION NORMAL TO ROADWAY
(INLET END STAGE I)



END ELEVATION NORMAL TO SKEW



PLAN OF CULVERT
(INLET END STAGE I)

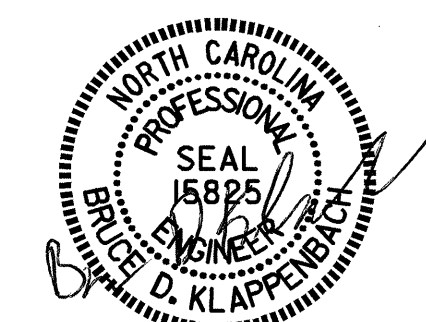


RIGHT ANGLE SECTION OF BARREL
THERE ARE 34 "C" BARS IN SECTION OF BARREL

PROJECT NO. R-2514A
ONSLOW COUNTY
STATION: 112+07.700 -L-

SHEET 2 OF 4

STATE OF NORTH CAROLINA
DEPARTMENT OF TRANSPORTATION
RALEIGH
SINGLE 2.100m X 2.100m
CONCRETE BOX CULVERT
90°-00'-00" SKEW
(STAGE I)



ASSEMBLED BY : J.B. WILSON	DATE : 6/03
CHECKED BY : M.G. SHAIKH	DATE : 7/03
DRAWN BY : EEM 6/97	
CHECKED BY : ARB 7/97	

REVISIONS						SHEET NO.
NO.	BY:	DATE:	NO.	BY:	DATE:	
1			3			C-2
2			4			TOTAL SHEETS 9