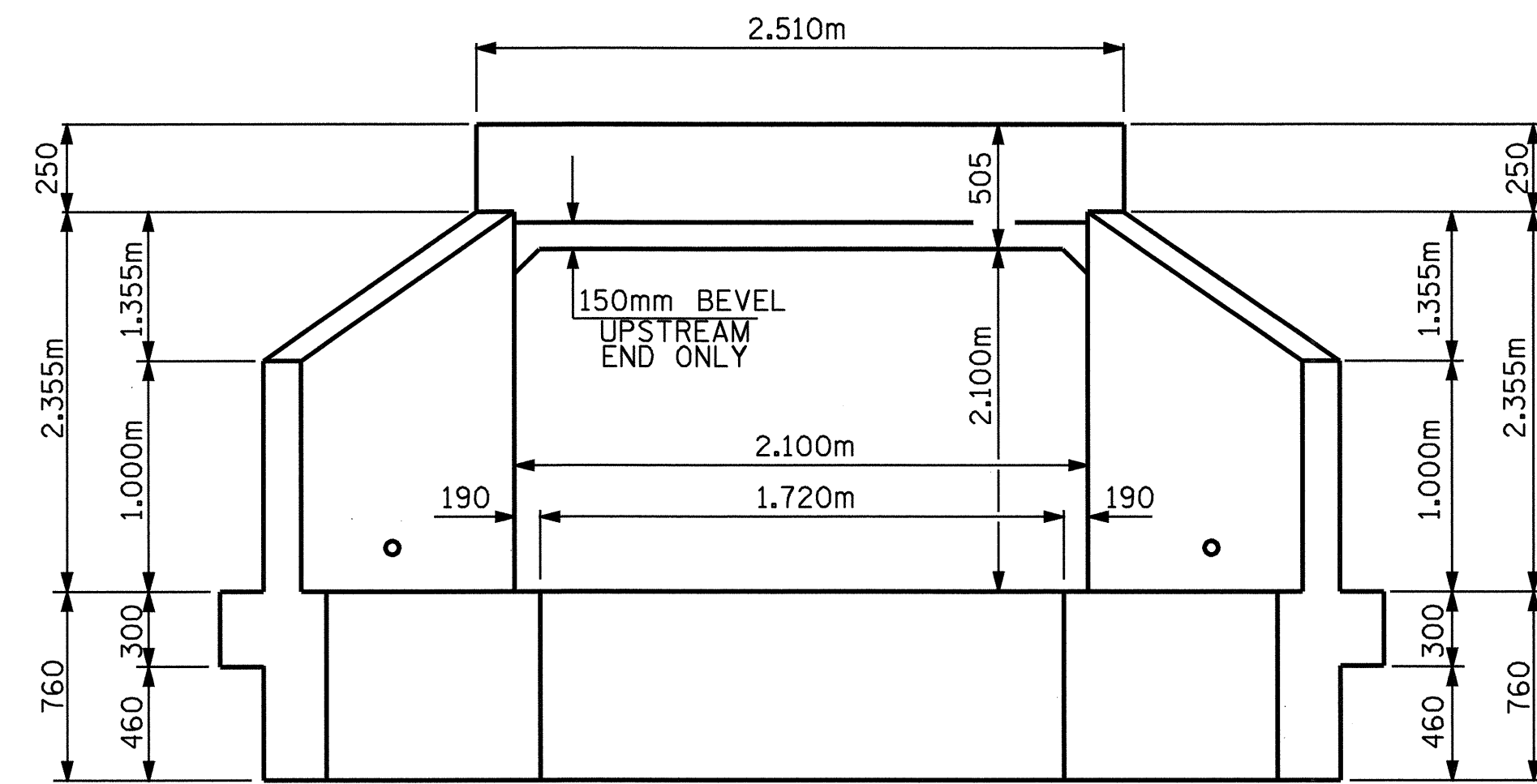
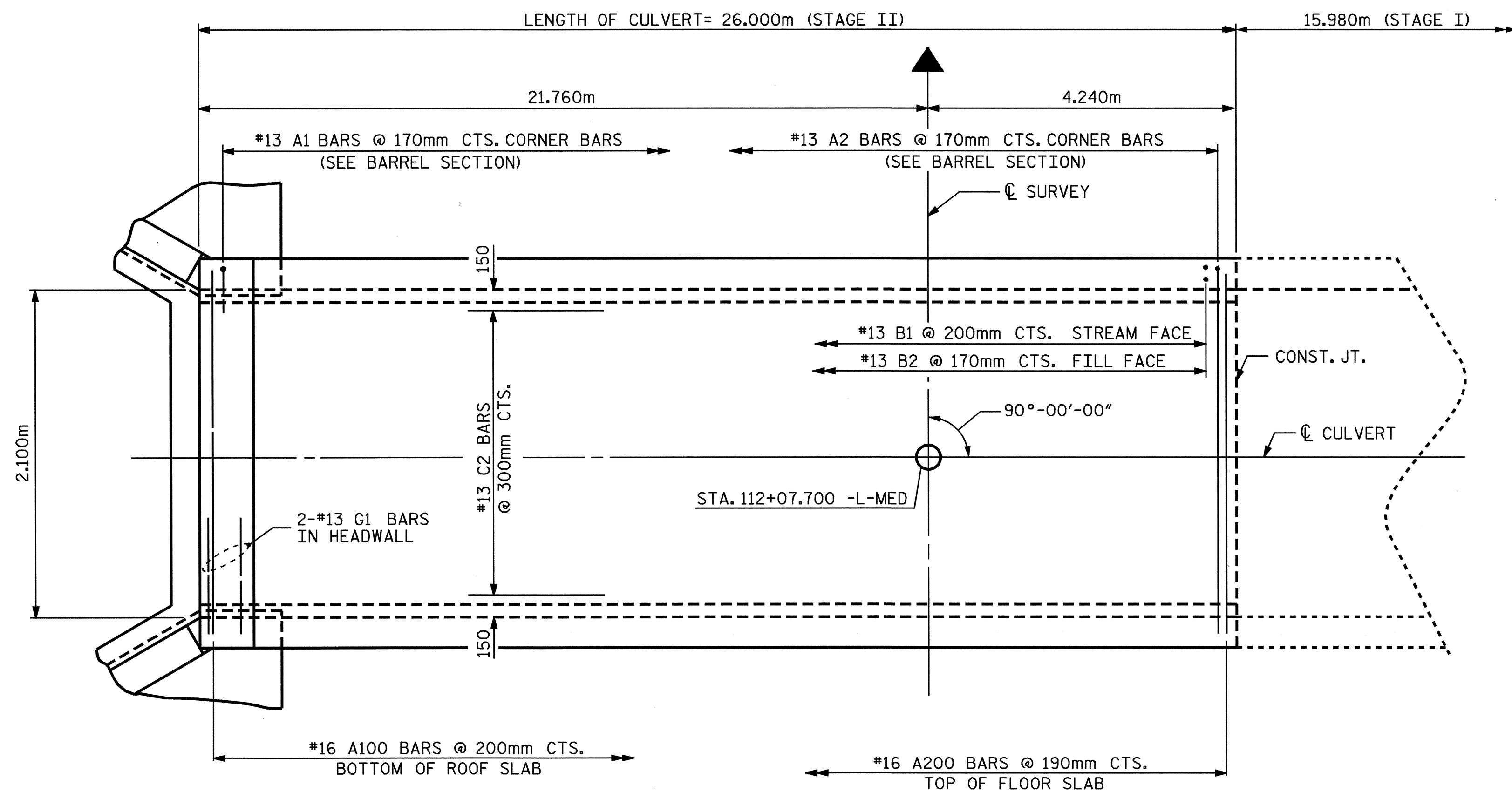


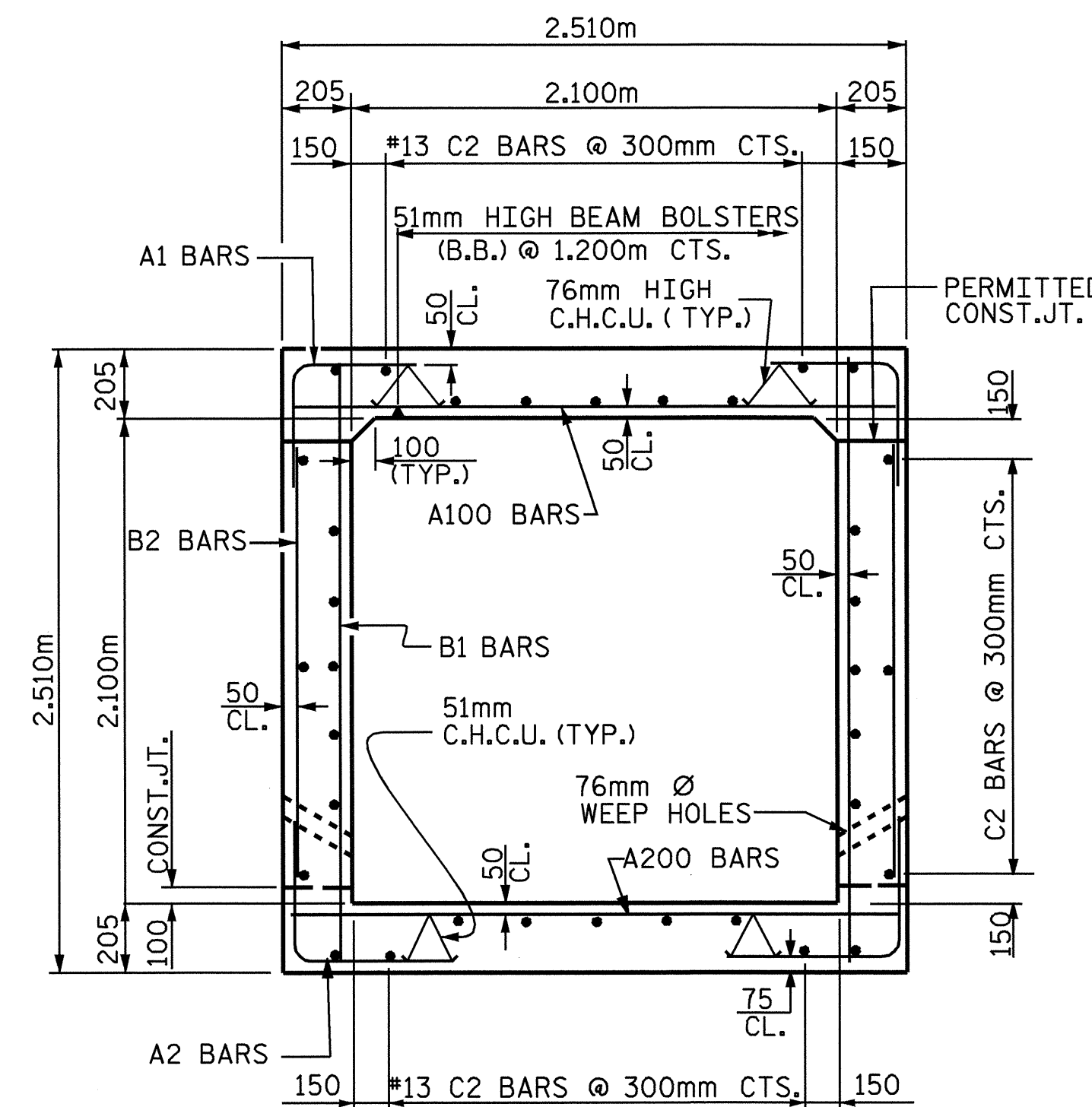
**CULVERT SECTION NORMAL TO ROADWAY  
(OUTLET END STAGE II)**



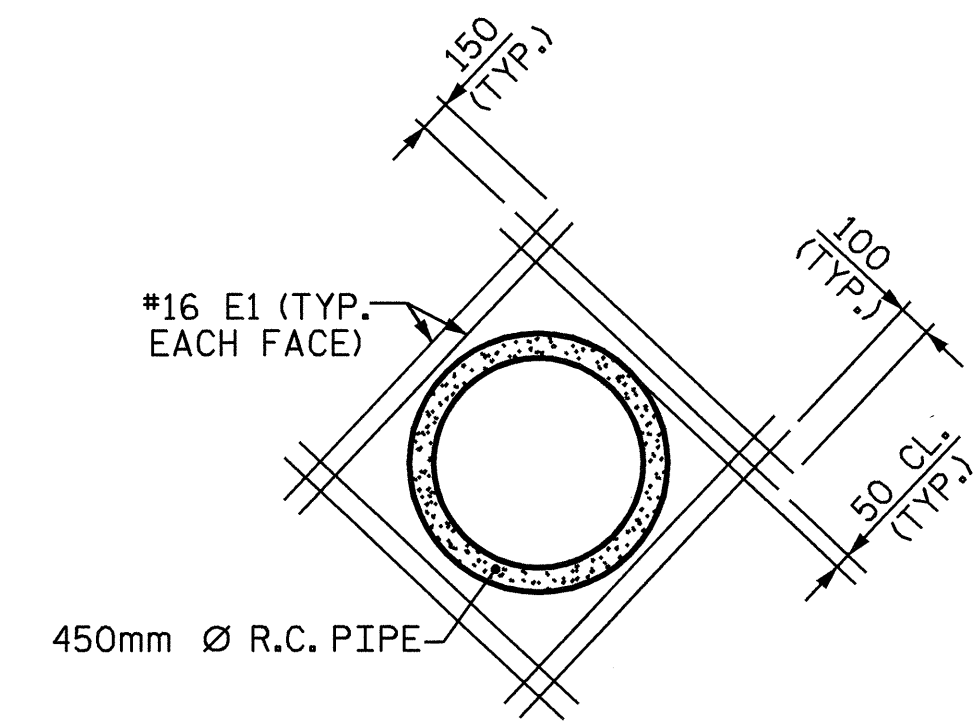
**END ELEVATION NORMAL TO SKEW**



**PLAN OF CULVERT  
(OUTLET END STAGE II)**



**RIGHT ANGLE SECTION OF BARREL**  
THERE ARE 34 "C" BARS IN SECTION OF BARREL



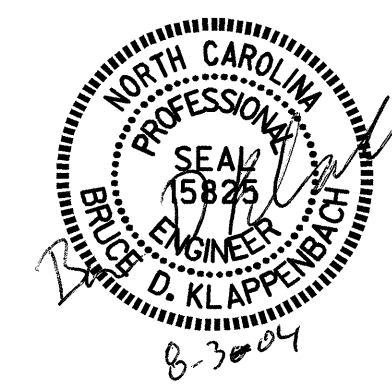
**DETAIL "B"**

PROJECT NO. R-2514A  
ONSLOW COUNTY  
 STATION: 112+07.700-L-MED.

SHEET 3 OF 4

STATE OF NORTH CAROLINA  
 DEPARTMENT OF TRANSPORTATION  
 RALEIGH

**SINGLE 2.100m X 2.100m  
 CONCRETE BOX CULVERT  
 90°-00'-00" SKEW  
 (STAGE II)**



ASSEMBLED BY : J.B. WILSON	DATE : 6/03
CHECKED BY : M.G. SHAIKH	DATE : 7/03
DRAWN BY : EEM	6/97
CHECKED BY : ARB	7/97

REVISIONS						SHEET NO.
NO.	BY:	DATE:	NO.	BY:	DATE:	C-3
1			3			TOTAL SHEETS
2			4			9