

STATE OF NORTH CAROLINA  
DEPT. OF TRANSPORTATION  
DIVISION OF HIGHWAYS  
RALEIGH, N.C.

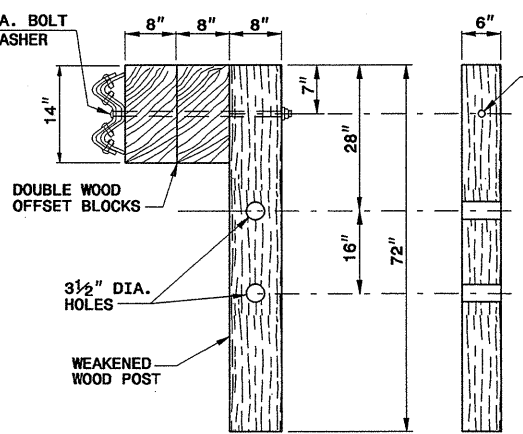
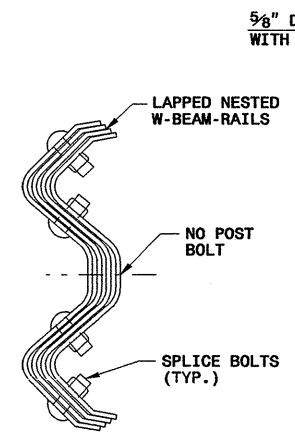
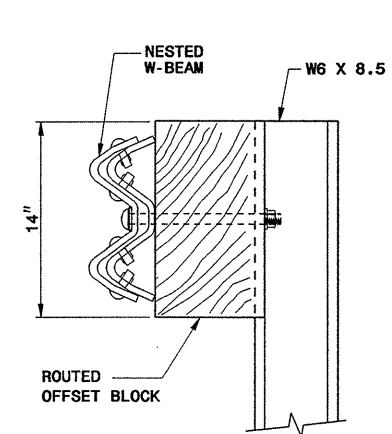
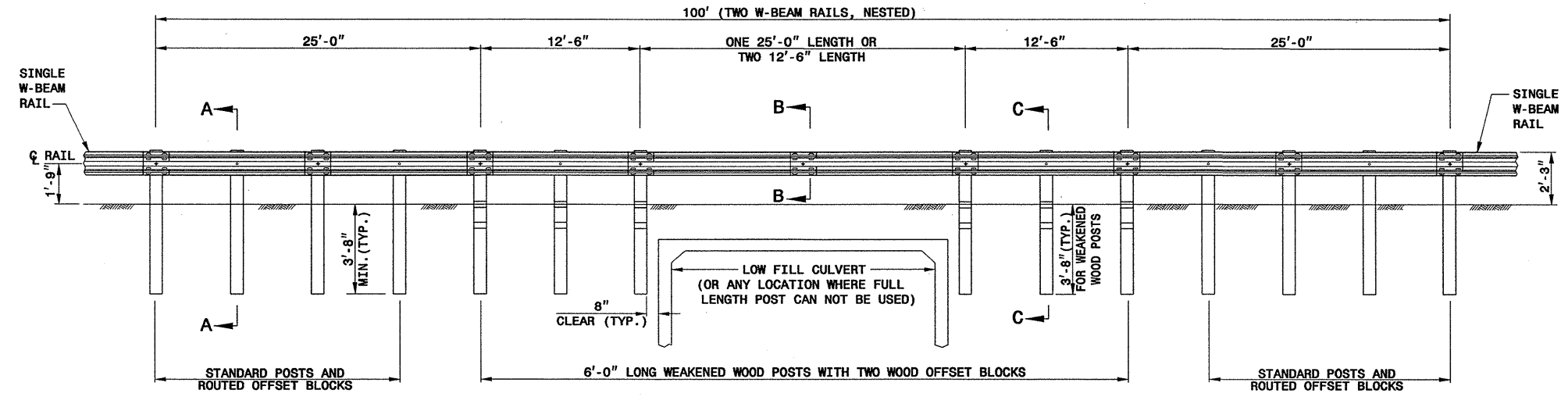
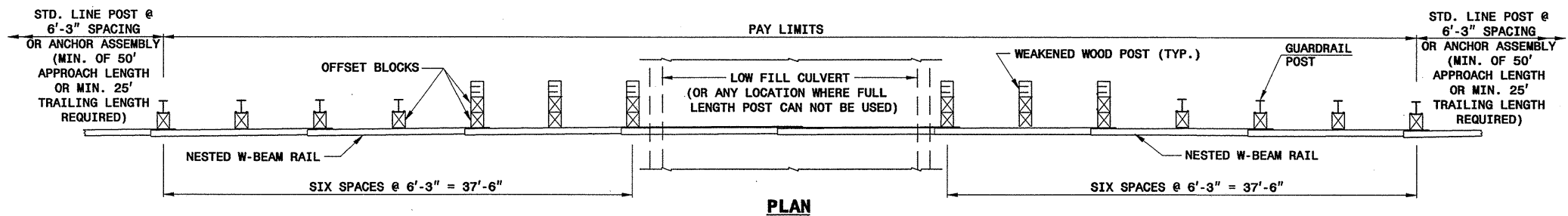
ENGLISH DETAIL DRAWING FOR  
**GUARDRAIL PLACEMENT**  
25'-0" CLEAR SPAN  
(MEETING NCHRP 350 TL-3 CRITERIA)

SHEET 1 OF 1  
**862D01**

STATE OF NORTH CAROLINA  
DEPT. OF TRANSPORTATION  
DIVISION OF HIGHWAYS  
RALEIGH, N.C.

ENGLISH DETAIL DRAWING FOR  
**GUARDRAIL PLACEMENT**  
25'-0" CLEAR SPAN  
(MEETING NCHRP 350 TL-3 CRITERIA)

SHEET 1 OF 1  
**862D01**



- GENERAL NOTES:**
- LAP RAIL IN THE DIRECTION OF TRAFFIC FLOW.
  - SEE ROADWAY PLANS FOR LOCATIONS AND CONTINUATION OF RAIL OR END SECTIONS.
  - 25'-0" SPAN: POSTS MAY BE ELIMINATED SUCH THAT A MAXIMUM OF ONE RAIL SPLICE IS LOCATED WITHIN THE UNSUPPORTED LENGTH. A 25'-0" LENGTH OF NESTED W-BEAM RAIL MAY BE USED TO ELIMINATE A SPLICE WITHIN THE 25'-0" CLEAR SPAN.
  - MINIMUM DISTANCE OF 5 FEET BEHIND THE GUARDRAIL SHOULD BE CLEAR OF ANY FIXED-OBJECT HAZARDS THAT COULD SNAG AN IMPACTING VEHICLE.

25-OCT-2004 12:03 W:\Special Details\encl\ward\stds\02\stds to Special Details\english\862D01\862d0109.dgn

PROJECT SERVICES UNIT  
STANDARDS AND SPECIAL DESIGN  
Office 919-250-4128 FAX 919-250-4119

**SEE PLATE FOR TITLE**

ORIGINAL BY: FHA HMHS-B58 DATE: \_\_\_\_\_  
MODIFIED BY: E.E. WARD DATE: 08-11-03  
CHECKED BY: \_\_\_\_\_ DATE: \_\_\_\_\_  
FILE SPEC.: /usr/std/02stds to details/enclish/86201/862d0109.dgn