



GENERAL NOTES:

USE CLASS "B" CONCRETE THROUGHOUT.

PROVIDE ALL DROP INLETS OVER 1.0m IN DEPTH WITH STEPS 300mm ON CENTER.
USE STEPS WHICH COMPLY WITH STD. DRAWING 840.66.

OPTIONAL CONSTRUCTION - MONOLITHIC POUR, 50mm KEYWAY, OR #13 BAR DOWELS AT 300mm CENTERS AS DIRECTED BY THE ENGINEER.

USE FORMS FOR THE CONSTRUCTION OF THE BOTTOM SLAB.

IF REINFORCED CONCRETE PIPE IS SET IN BOTTOM SLAB OF BOX, ADD TO SLAB AS SHOWN ON STD. NO. 840.00.

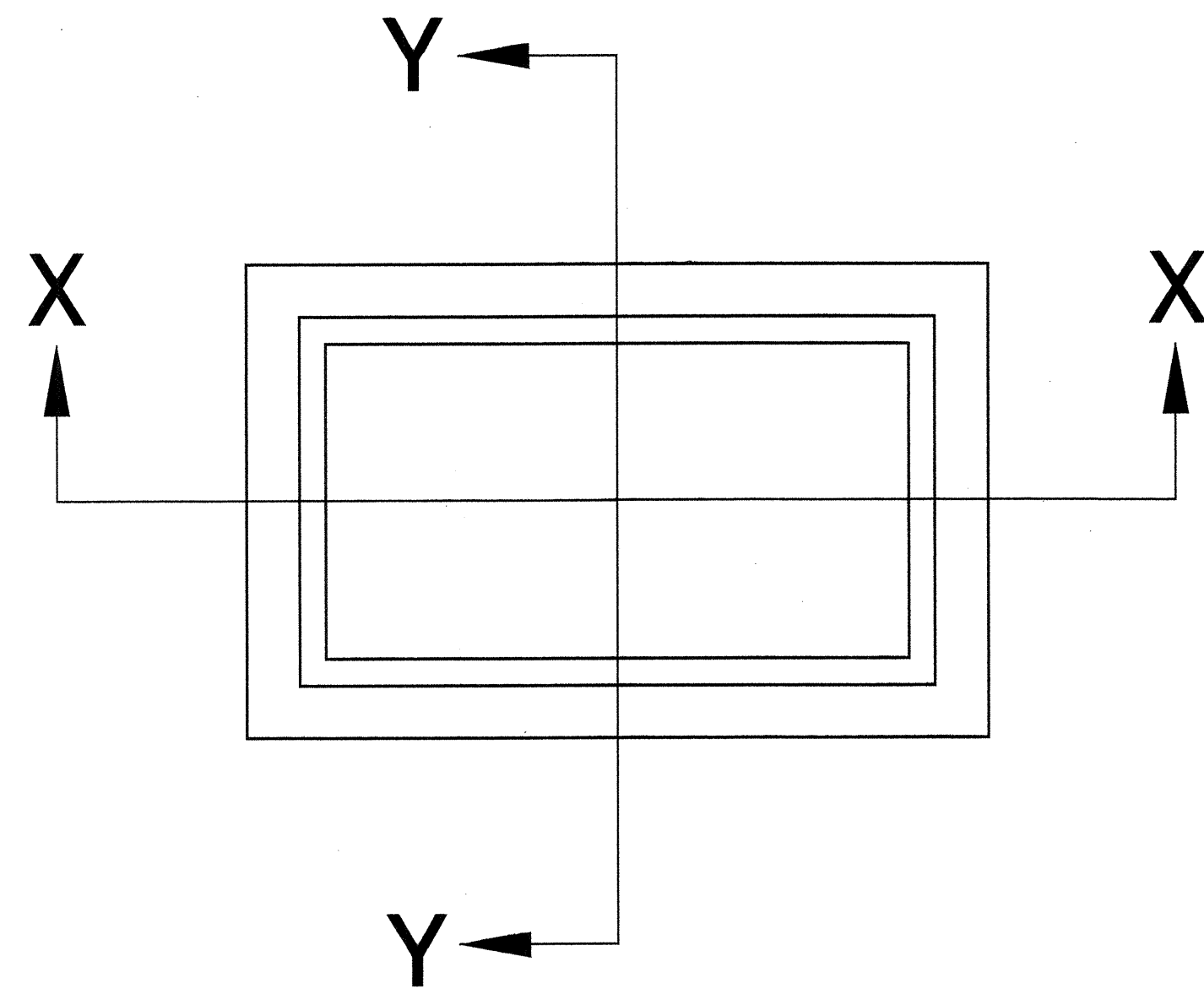
#13 BAR DOWELS "B" AT 300mm CENTERS.

MAX. DEPTH OF THIS STRUCTURE FROM TOP OF BOTTOM SLAB TO TOP ELEVATION IS 3.6 METERS.

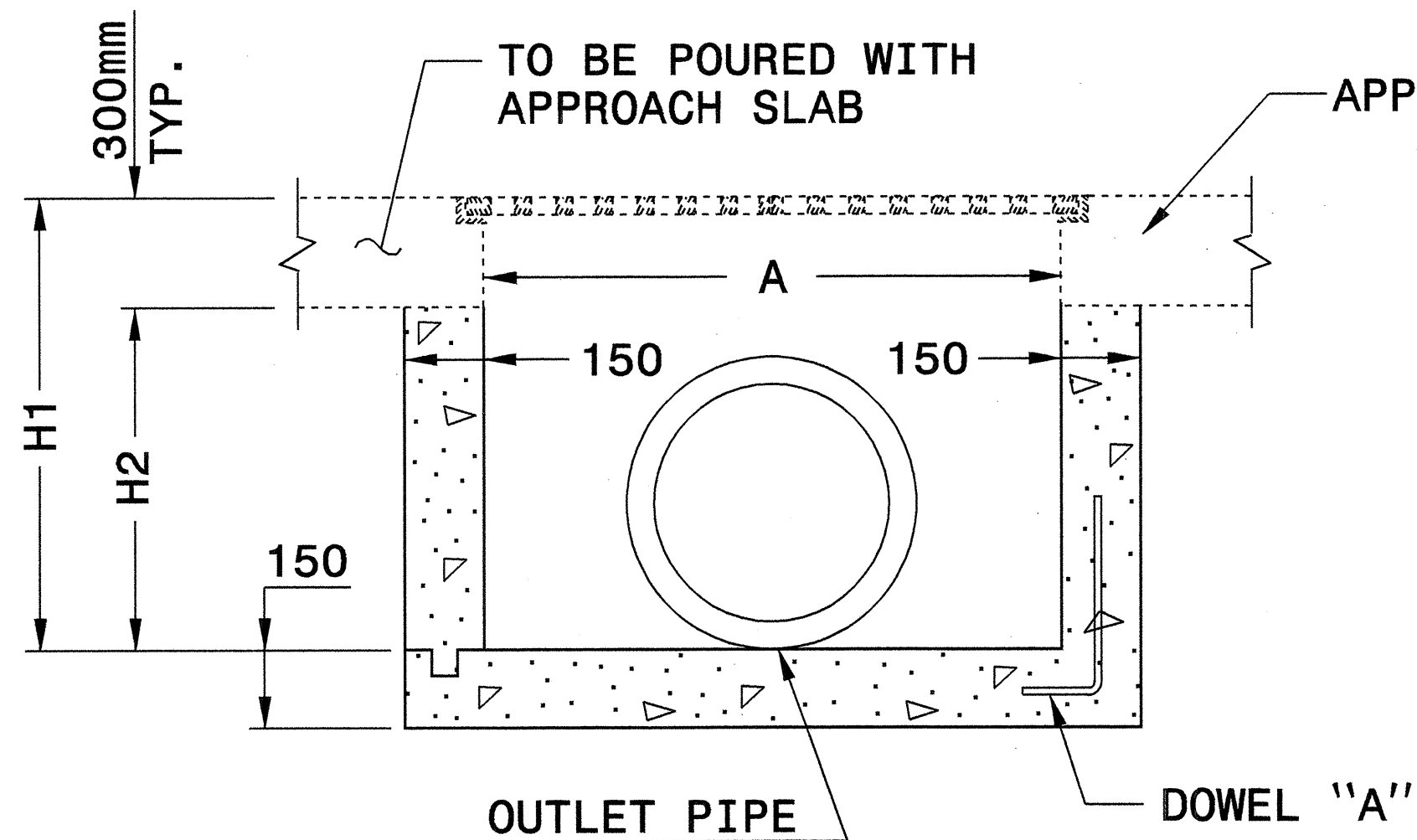
FOR LOCATIONS OF DROP INLET, SEE BRIDGE APPROACH SLABS IN THE STRUCTURE PLANS.

CONSTRUCT WITH PIPE CROWNS MATCHING.

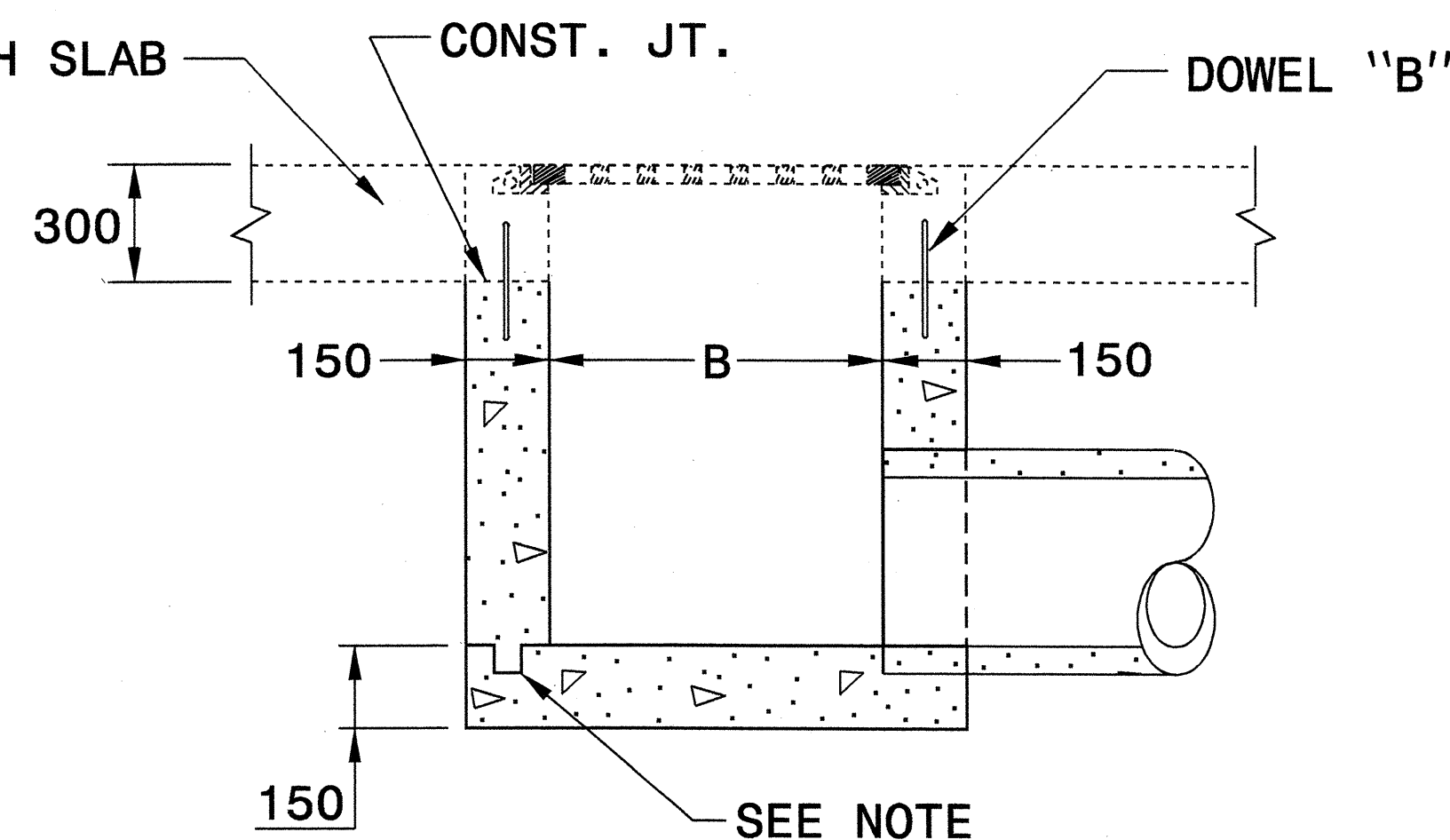
DRAWING NOT TO SCALE.



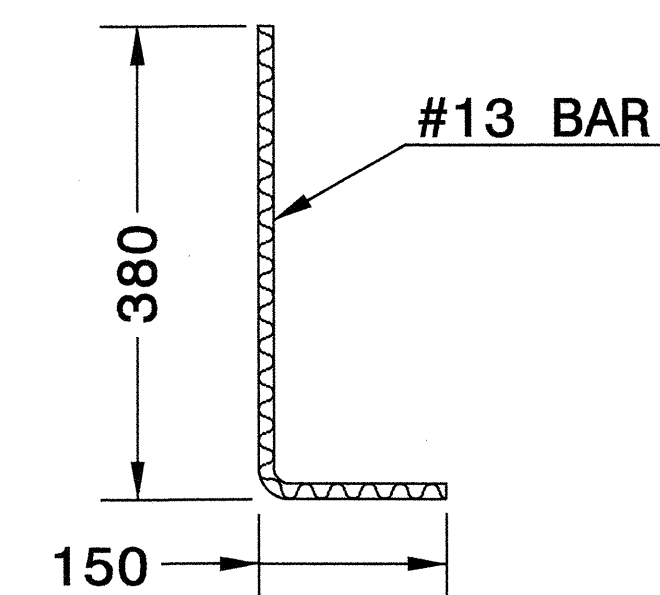
PLAN



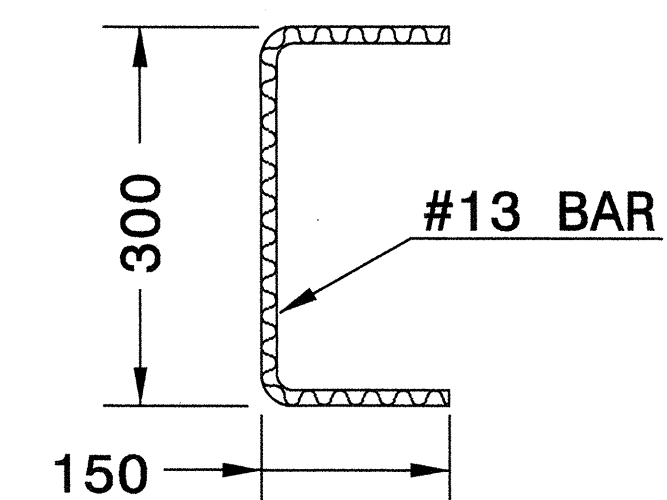
SECTION X-X



SECTION Y-Y



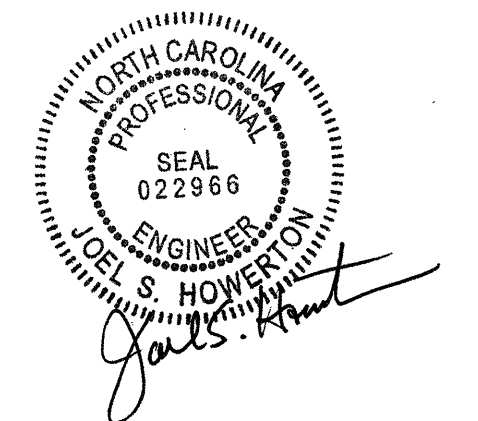
DOWEL "A"



DOWEL "B"

MINIMUM DIMENSIONS AND QUANTITIES FOR CONCRETE DROP INLET

PIPE D	SPAN A	WIDTH B	HEIGHT H1	HEIGHT H2	CUBIC METER OF CONCRETE IN BOX				DEDUCTIONS FOR ONE PIPE	
					BOTTOM SLAB	H PER m. HT.	H MIN. TOTAL	TOTAL	C.S.	R.C.
300	1118	610	762	450	0.194	0.617	0.456	0.650	0.015	0.024
375	1118	610	838	525	0.194	0.617	0.503	0.697	0.017	0.027
450	1118	610	914	600	0.194	0.617	0.550	0.744	0.025	0.037
600	1118	610	1067	780	0.194	0.617	0.661	0.855	0.045	0.065



**DESIGN SERVICES UNIT
STANDARDS AND SPECIAL DESIGN**
Office 919-250-4128 FAX 919-250-4119

**DETAIL FOR CONCRETE
BRIDGE APPROACH
DROP INLET**

ORIGINAL BY: T. Spell DATE: 04-07-04
 MODIFIED BY: DATE:
 CHECKED BY: DATE: 4-13-04
 FILE SPEC.: w:\stds\02stdstodetails\metric\840d13.dgn