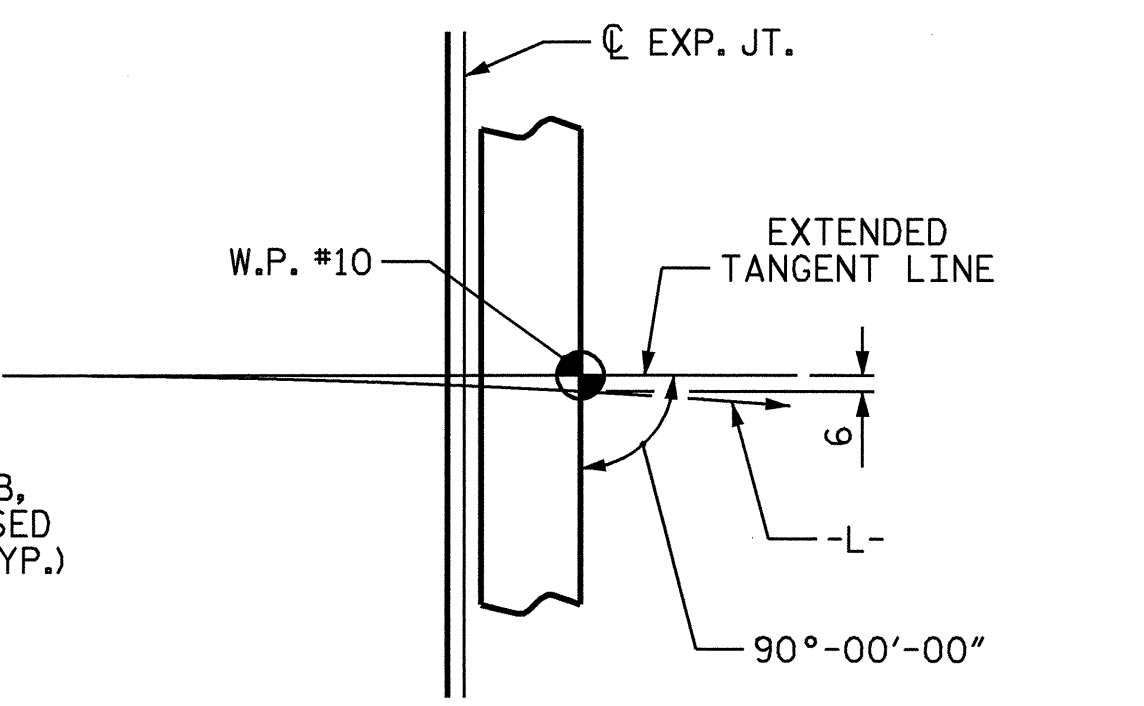


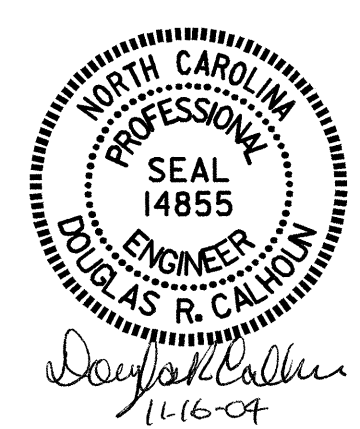
NOTES
 PIPE DRAINS MAY BE SHIFTED SLIGHTLY AS NECESSARY TO CLEAR REINFORCING STEEL.
 FOR PIPE DRAIN DETAILS, SEE "B-II 914 PRESTRESSED CONCRETE BOX BEAM BILL OF MATERIAL."



DETAIL B

PROJECT NO. B-2583
MADISON COUNTY
 STATION: 12+21.750 -L-

STATE OF NORTH CAROLINA
 DEPARTMENT OF TRANSPORTATION
 RALEIGH
**B-II 914
 PRESTRESSED CONCRETE
 BOX BEAM
 PLAN OF SPAN
 SPAN I**



REVISIONS						SHEET NO. S-19
NO.	BY:	DATE:	NO.	BY:	DATE:	
1			3			TOTAL SHEETS 112
2			4			

DRAWN BY : T. A. HARRIS DATE : 7/28/04
 CHECKED BY : K. P. SEDAI DATE : 8/13/04