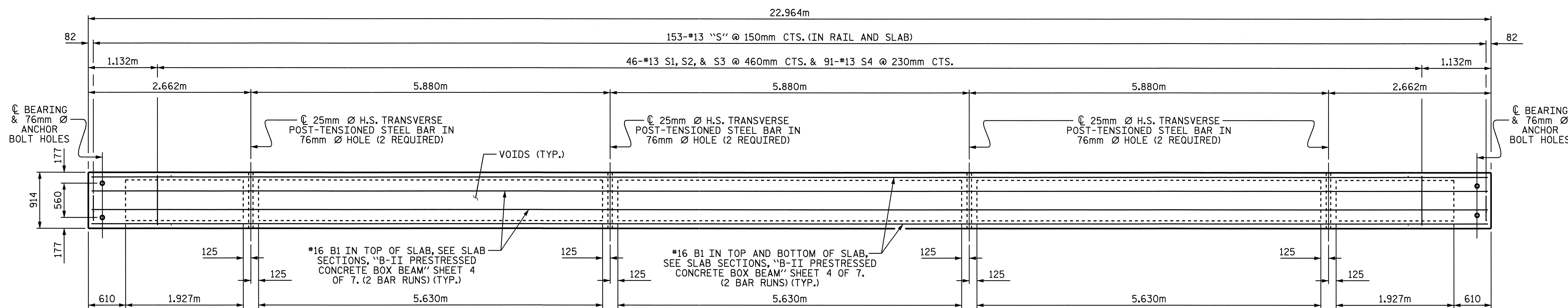


PLAN OF EXTERIOR (LEFT SIDE) BOX BEAM UNIT - SPAN G

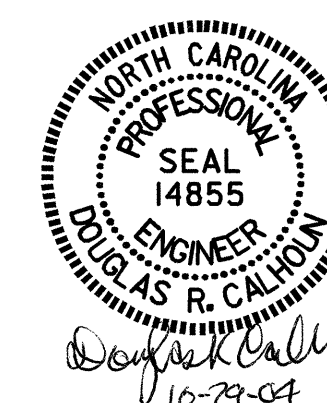
EXTERIOR (LEFT SIDE) SECTION UNDER SIDEWALK SHOWN, INTERIOR (NOT SIDEWALK) SECTION SIMILAR EXCEPT OMIT #13 S7 BARS.
FOR REINFORCING STEEL AT ENDS OF BOX BEAM UNITS, SEE "TYPICAL END BLOCK - EXTERIOR SECTION," SHEET 4 OF 7.



PLAN OF EXTERIOR (RIGHT SIDE) BOX BEAM UNIT - SPAN G

EXTERIOR (RIGHT SIDE) SECTION SHOWN, INTERIOR (NOT SIDEWALK) SECTION SIMILAR EXCEPT OMIT #13 S5 & S6 BARS.
FOR REINFORCING STEEL AT ENDS OF BOX BEAM UNITS, SEE "TYPICAL END BLOCK - EXTERIOR SECTION," SHEET 4 OF 7.

PROJECT NO. B-2583
MADISON COUNTY
 STATION: 12+21.750 -L-



STATE OF NORTH CAROLINA DEPARTMENT OF TRANSPORTATION RALEIGH					
PLAN OF BOX BEAM UNITS SPAN G					
SHEET NO. S-22					
REVISIONS					
NO.	BY:	DATE:	NO.	BY:	DATE:
1			3		
2			4		
					TOTAL SHEETS 112

DRAWN BY : T. A. HARRIS DATE : 7/28/04
 CHECKED BY : K. P. SEDAI DATE : 8/13/04