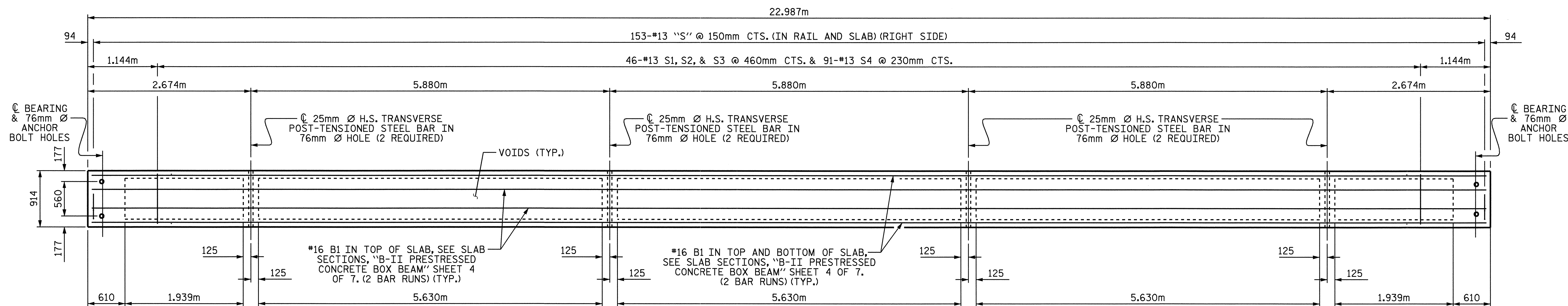


**PLAN OF EXTERIOR (LEFT SIDE) BOX BEAM UNIT - SPAN H**

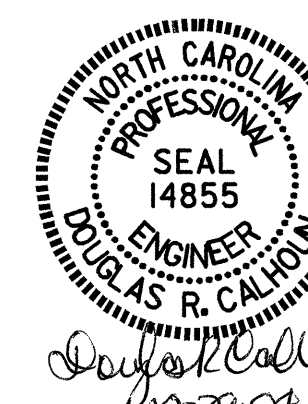
EXTERIOR (LEFT SIDE) SECTION UNDER SIDEWALK SHOWN, INTERIOR (NOT SIDEWALK) SECTION SIMILAR EXCEPT OMIT #13 S7 BARS.  
FOR REINFORCING STEEL AT ENDS OF BOX BEAM UNITS, SEE "TYPICAL END BLOCK - EXTERIOR SECTION," SHEET 4 OF 7.



**PLAN OF EXTERIOR (RIGHT SIDE) BOX BEAM UNIT - SPAN H**

EXTERIOR (RIGHT SIDE) SECTION SHOWN, INTERIOR (NOT SIDEWALK) SECTION SIMILAR EXCEPT OMIT #13 S5 & S6 BARS.  
FOR REINFORCING STEEL AT ENDS OF BOX BEAM UNITS, SEE "TYPICAL END BLOCK - EXTERIOR SECTION," SHEET 4 OF 7.

PROJECT NO. B-2583  
MADISON COUNTY  
 STATION: 12+21.750 -L-



STATE OF NORTH CAROLINA DEPARTMENT OF TRANSPORTATION RALEIGH						SHEET NO. S-23	
<b>PLAN OF BOX BEAM UNITS SPAN H</b>						TOTAL SHEETS 112	
REVISIONS							
NO.	BY:	DATE:	NO.	BY:	DATE:		
1			3				
2			4				

DRAWN BY : T. A. HARRIS DATE : 7/28/04  
 CHECKED BY : K. P. SEDAI DATE : 8/13/04

29-OCT-2004 09:47  
 W:\squad\b2583\taharris\Microstation\str\b2583\_sd\_bb\_01.dgn  
 TAHarris