

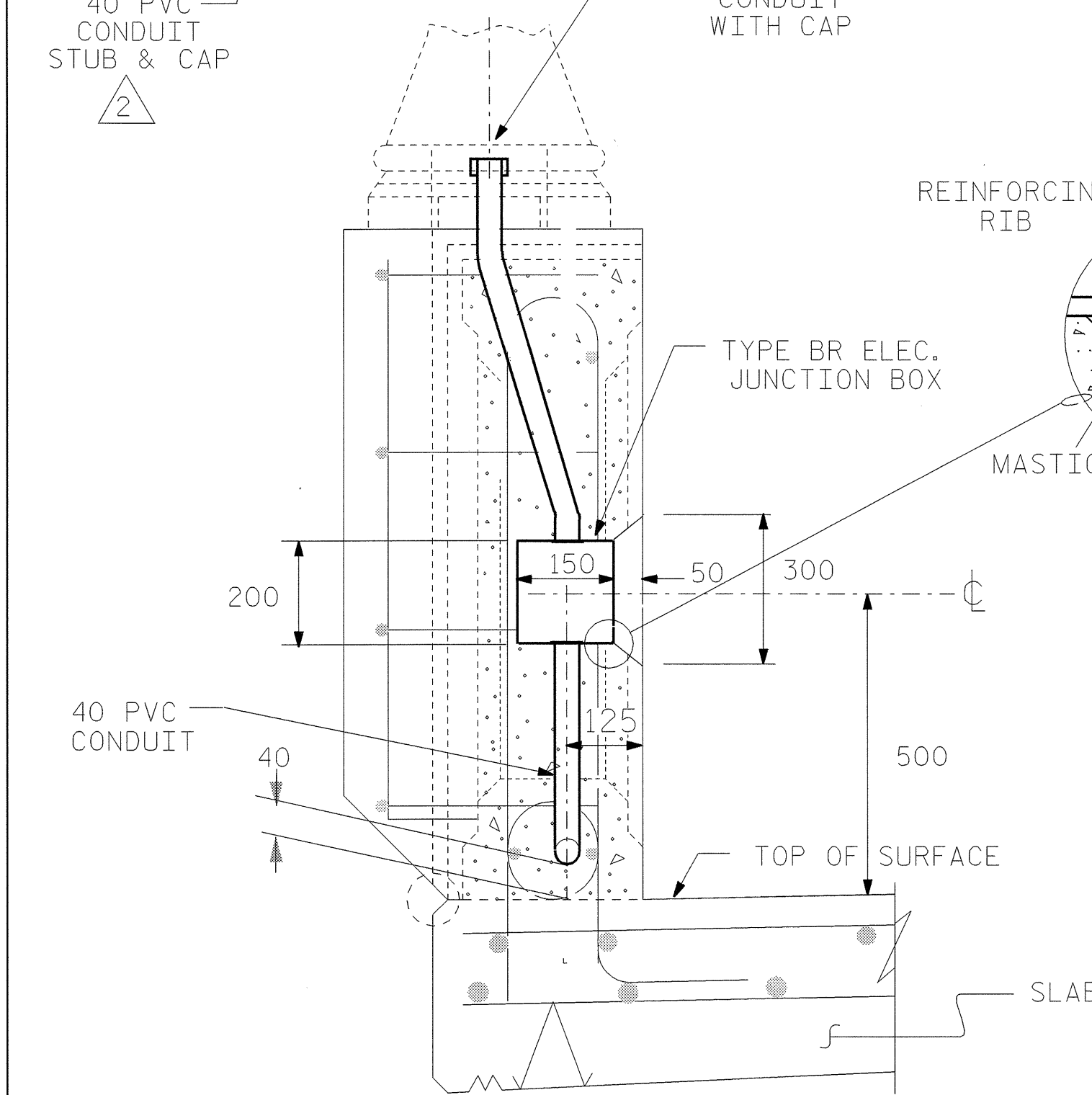
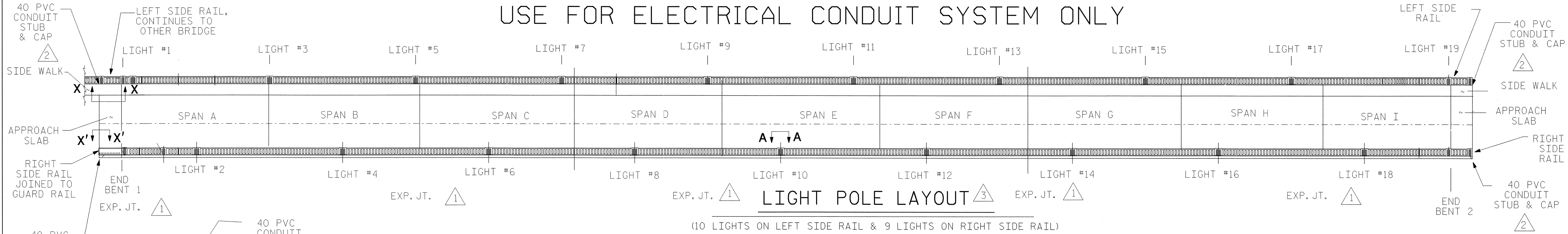
02/03/98

(ALL DIMENSIONS ARE IN MILLIMETER)



PROJECT REFERENCE NO. B-2583 SHEET NO. ECS-1

USE FOR ELECTRICAL CONDUIT SYSTEM ONLY

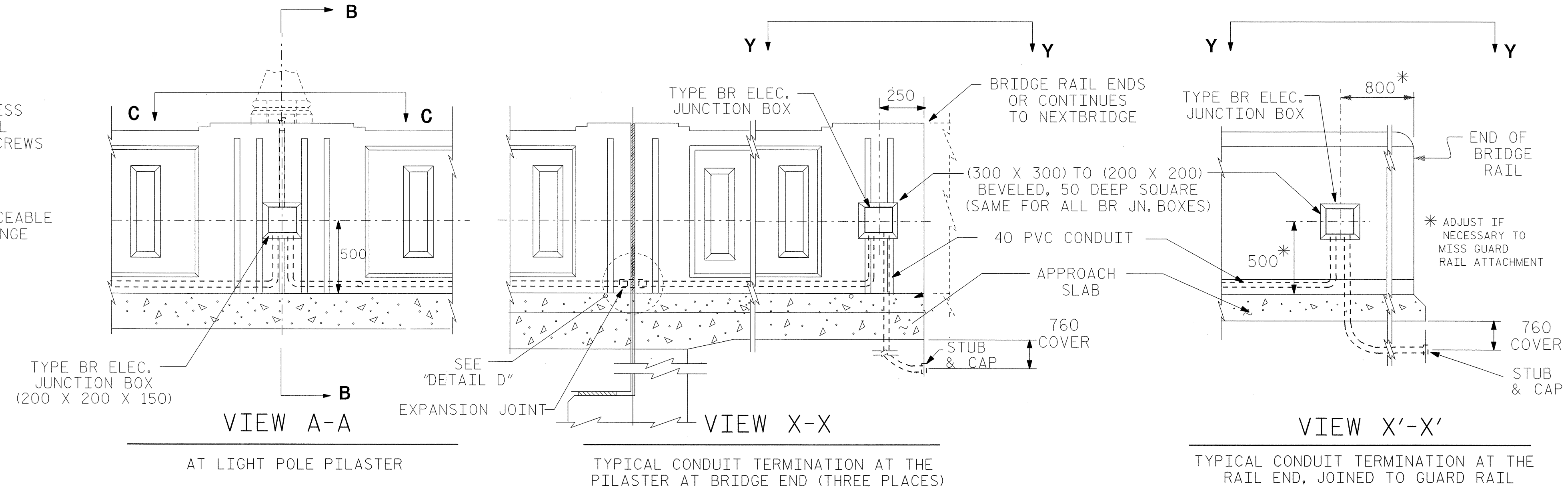


SECTION THRU B-B (ENLARGED)

NOTES

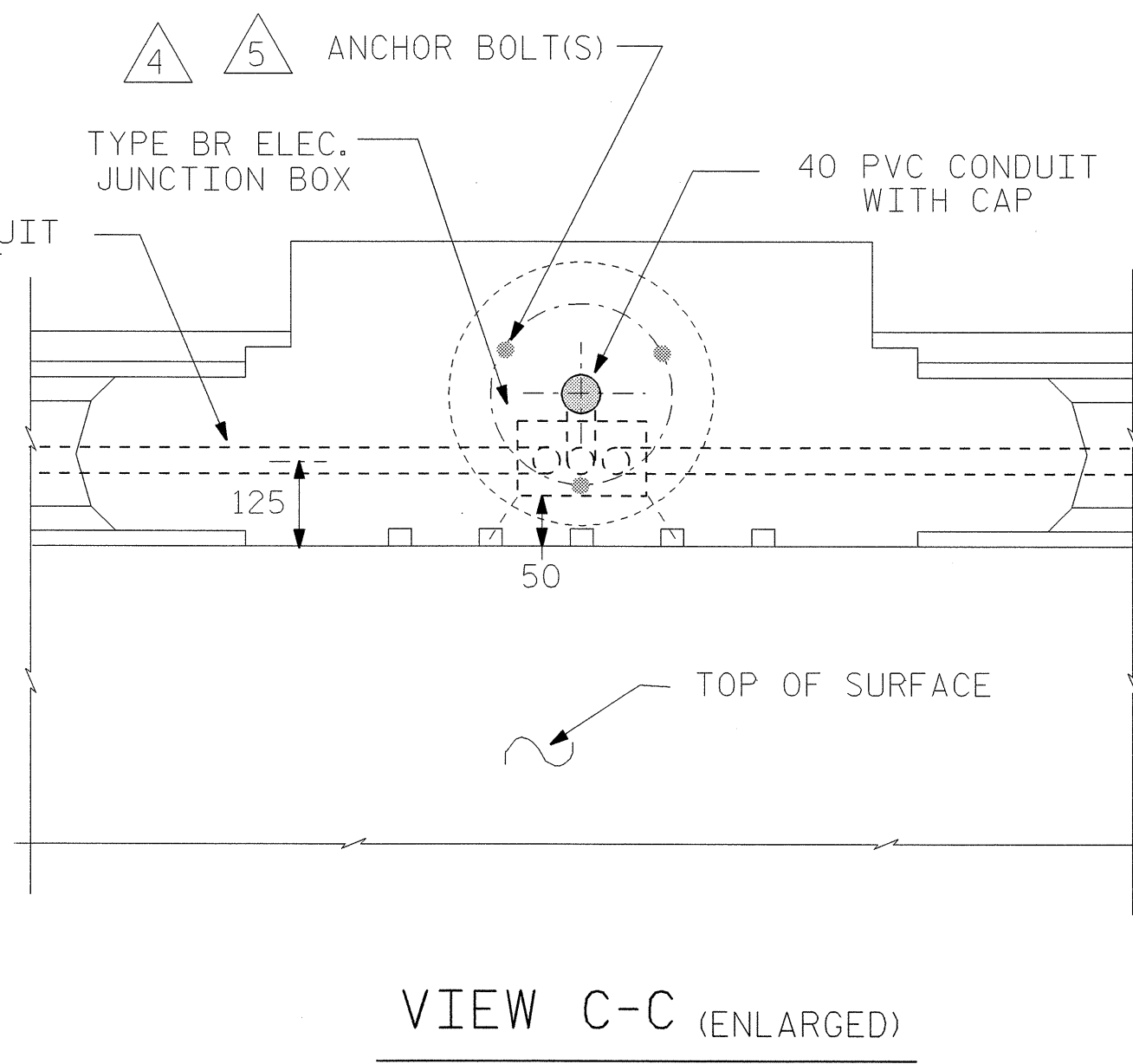
- 1 PROVIDE AND INSTALL EXPANSION FITTINGS AT ALL EXPANSION JOINTS.
- 2 COORDINATE CONNECTION OF CONDUIT WITH OTHERS. ENSURE THAT CONDUIT IS NOT IN CONFLICT WITH GUARD RAIL POSTS.
- 3 SEE STRUCTURE PLANS FOR LOCATION AND DETAILS FOR LIGHT PEDESTALS.
- 4 INSTALL ANCHOR BOLTS ACCORDING TO MANUFACTURER'S RECOMMENDATION.
- 5 ANCHOR BOLTS, POLES AND LUMINAIRES TO BE PROVIDED BY THE TOWN.

ESTIMATED BILL OF MATERIAL ELECTRICAL CONDUIT SYSTEM		
UNIT	ITEMS	QTY
EA.	TYPE BR JN. BOX (200 X 200 X 150)	23
M	40mm PVC CONDUIT	465
EA.	40mm PVC EXPANSION JOINT	10
M	POLYETHYLENE PULL LINE	490

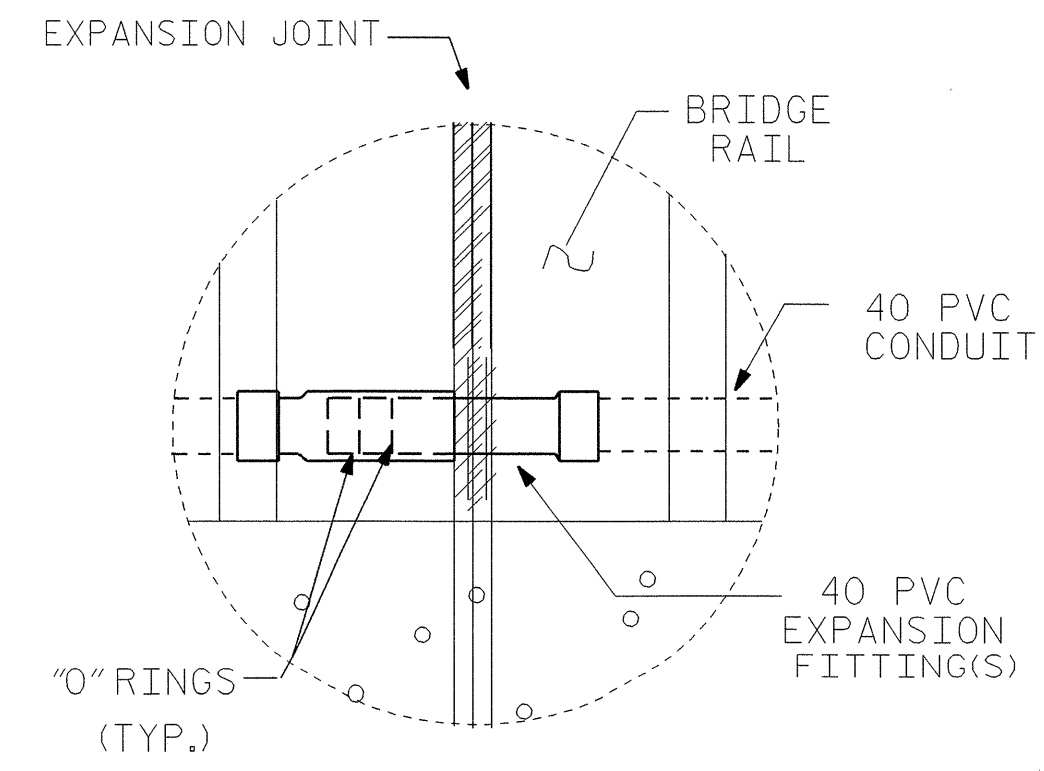


CONDUIT SYSTEM LAYOUT

(TYPICAL INSTALLATION: SAME ON BOTH RAILS)

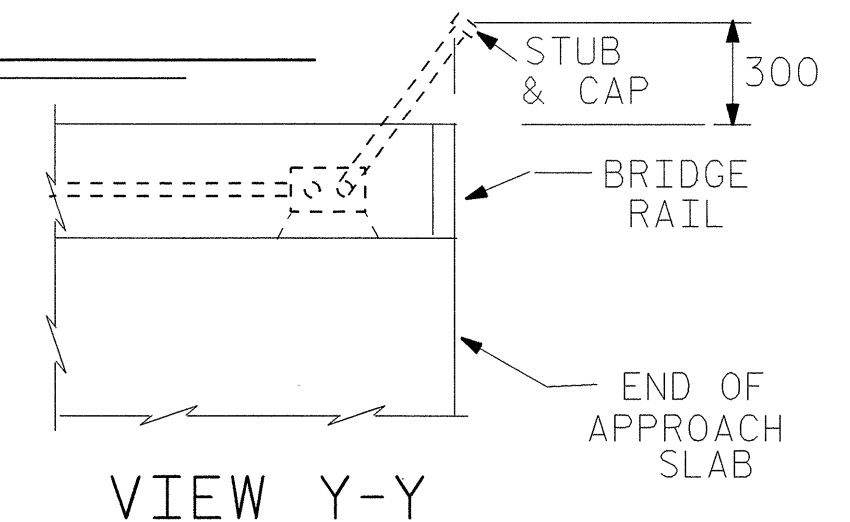


VIEW C-C (ENLARGED)



DETAIL D

PVC EXPANSION FITTING INSTALLATION (TYPICAL AT ALL EXPANSION JOINTS)

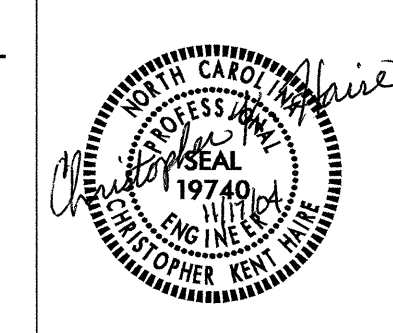


VIEW Y-Y

TYPICAL CONDUIT TERMINATION AT THE END OF BRIDGE RAIL

PROJECT NO. B-2583
 Madison COUNTY
 STATION: 12+21.750 -L-

STATE OF NORTH CAROLINA
 DEPARTMENT OF TRANSPORTATION
 RALEIGH
 ROADWAY DESIGN LIGHTING & ELECTRICAL
ELECTRICAL CONDUIT SYSTEM
 BRIDGE 328 OVER RIVER FRENCH BROAD RIVER ON SR1001



DRAWN BY: S. K. SAHA DATE: 9/27/04
 CHECKED BY: DATE:

SEE PROJECT SPECIAL PROVISIONS TITLED "ELECTRICAL CONDUIT SYSTEM" FOR MATERIALS CONSTRUCTION METHODS AND PAYMENT.

REVISIONS						SHEET NO.
NO.	BY:	DATE:	NO.	BY:	DATE:	5-52
1	SKS	11/16/04	3			TOTAL SHEETS 112
2			4			

16-NOV-2004 15:30 If Used At B2583 ECS PlanSheet VB2583.dgn