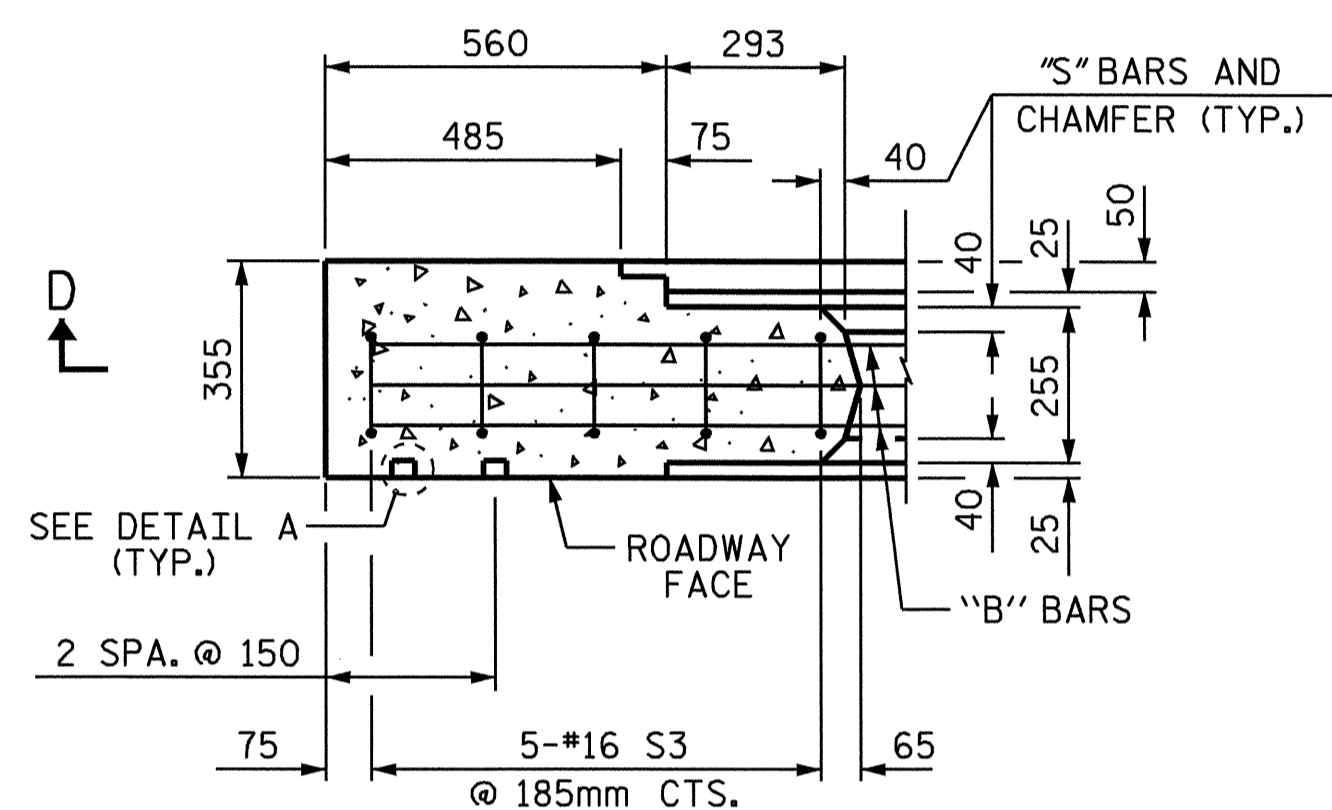
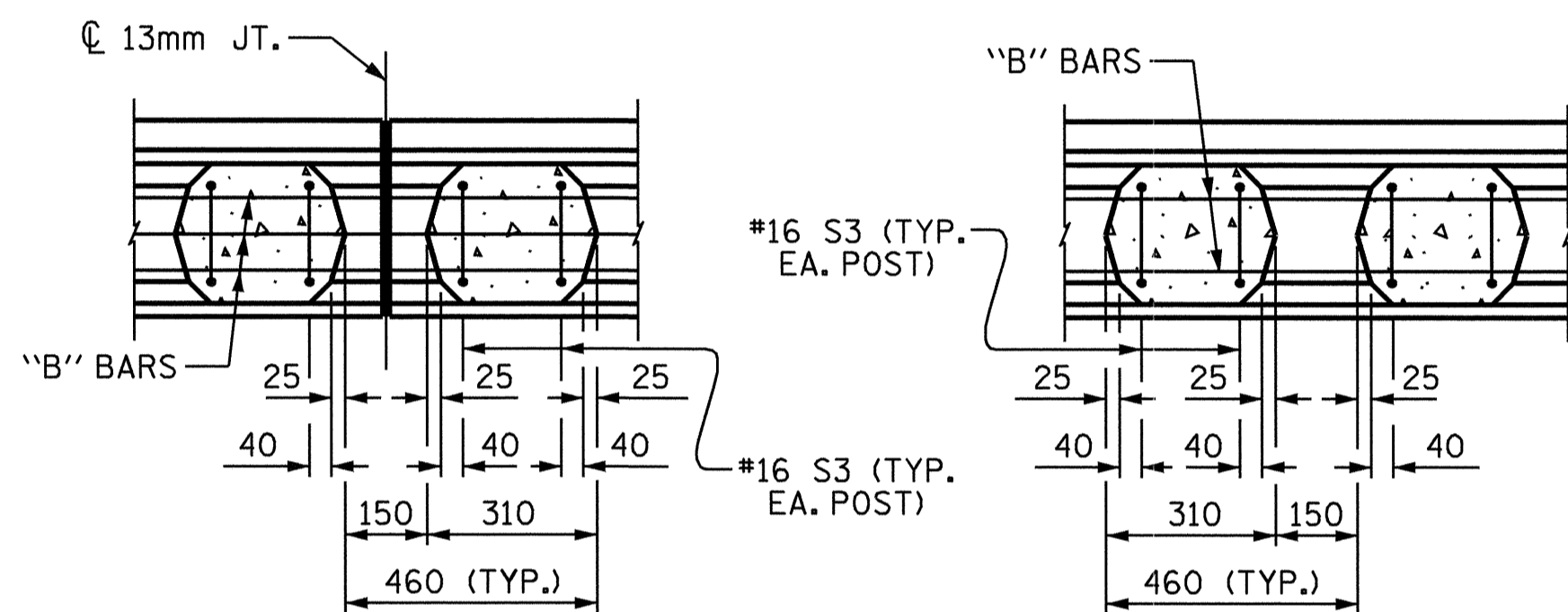


ROADWAY ELEVATION OF RAIL

(LEFT SIDE)

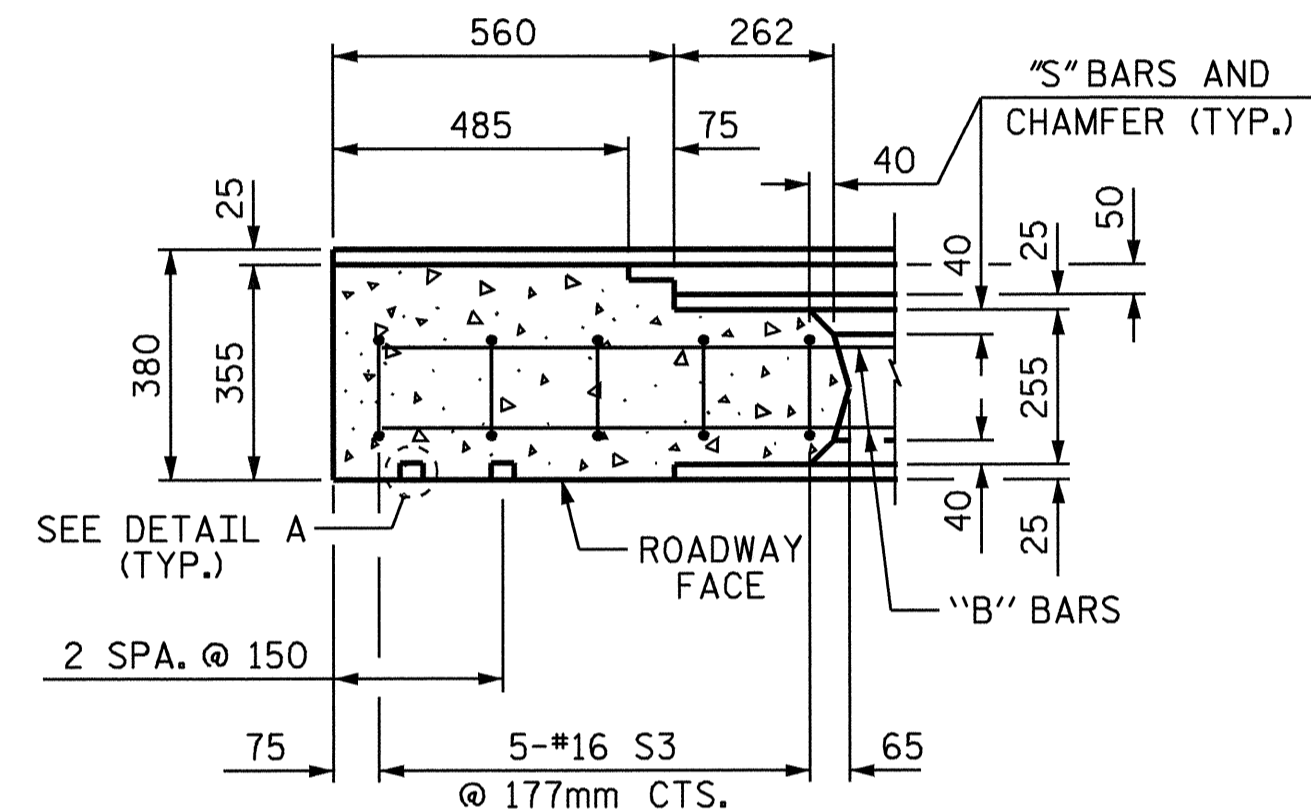


SECTION A-A
(PILASTERS ON ENDS OF RAIL BETWEEN STRUCTURES)

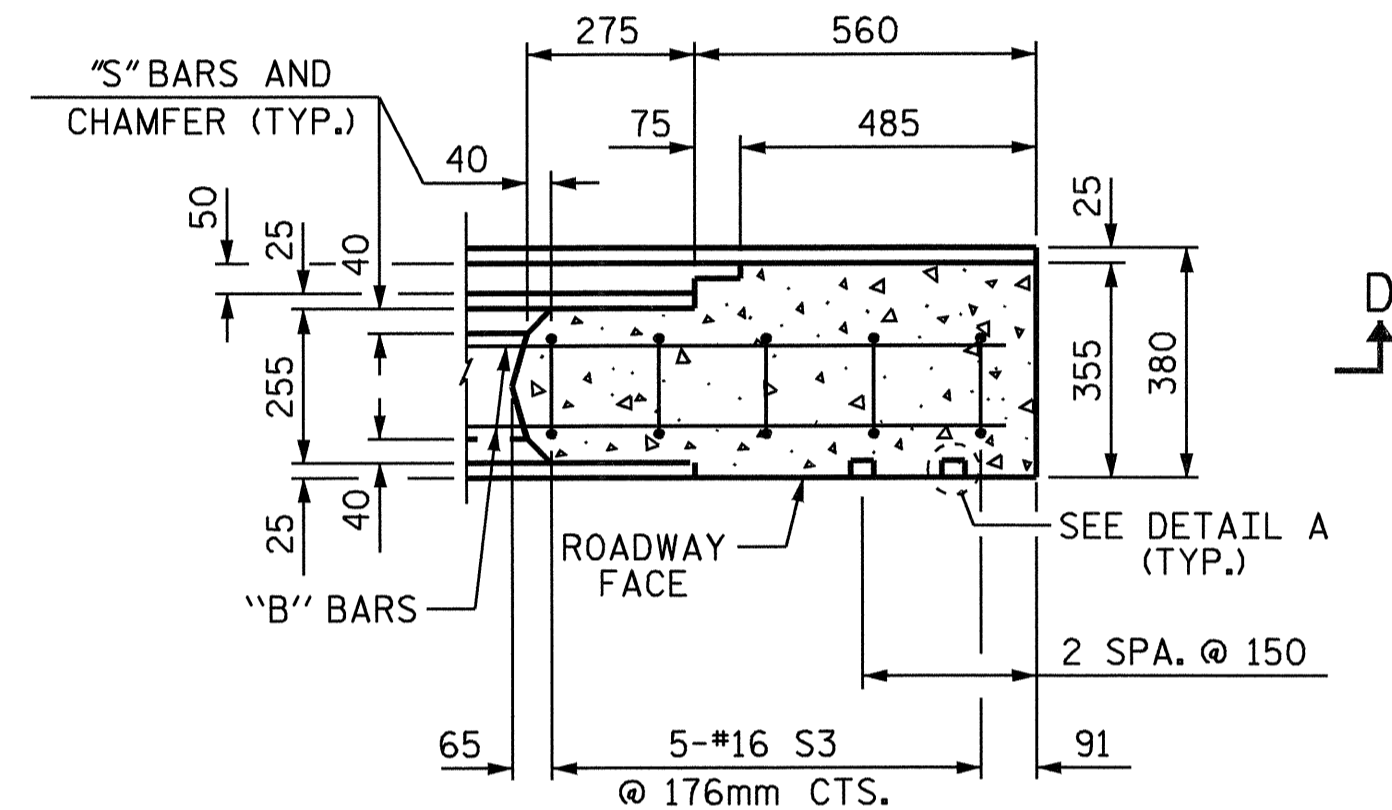


SECTION @ JOINT IN WINDOW

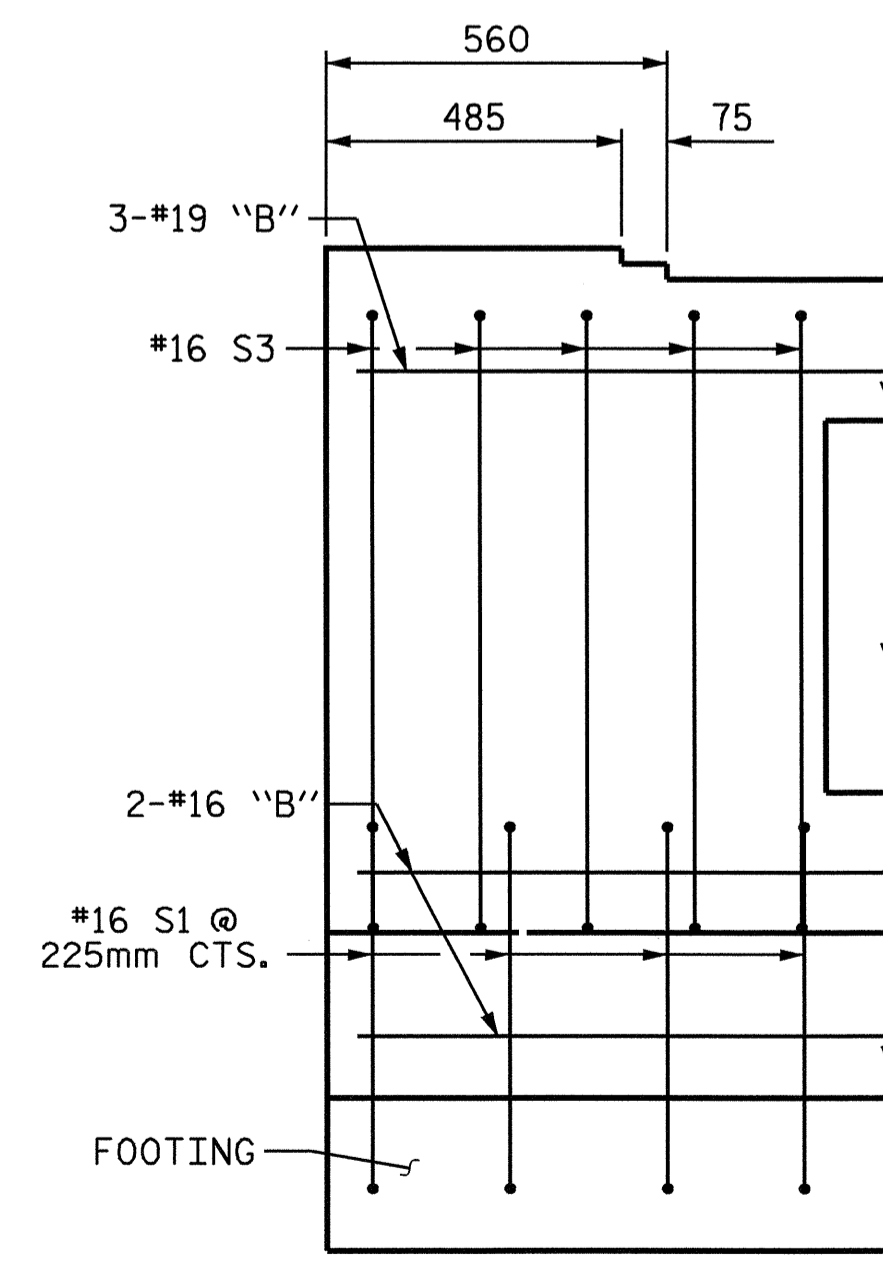
SECTION @ WINDOW



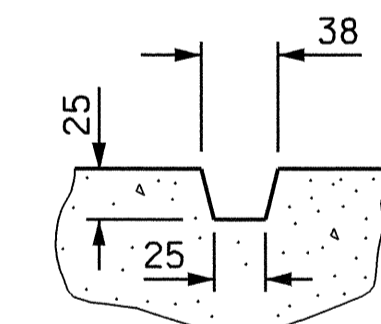
SECTION B-B
(PILASTER @ END APP. SLAB 1)



SECTION C-C
(PILASTER @ END APP. SLAB 2)



SECTION D-D
CHAMFERS NOT SHOWN FOR CLARITY



DETAIL A

DRAWN BY : T. A. HARRIS DATE : 8/24/04
CHECKED BY : K. P. SEDAI DATE : 8/31/04

29-OCT-2004 09:46
W:\squad\b2583\taharris\Microstation\str\b2583.sd.as.0l.dgn
TAHarris



PROJECT NO. B-2583
MADISON COUNTY
STATION: 12+21.750 -L-

SHEET 7 of 14

STATE OF NORTH CAROLINA
DEPARTMENT OF TRANSPORTATION
RALEIGH

**CLASSIC CONCRETE
BRIDGE RAIL
(LEFT SIDE)**

REVISIONS						SHEET NO.	
NO.	BY:	DATE:	NO.	BY:	DATE:	S-61	
1			3			TOTAL SHEETS 112	
2			4				