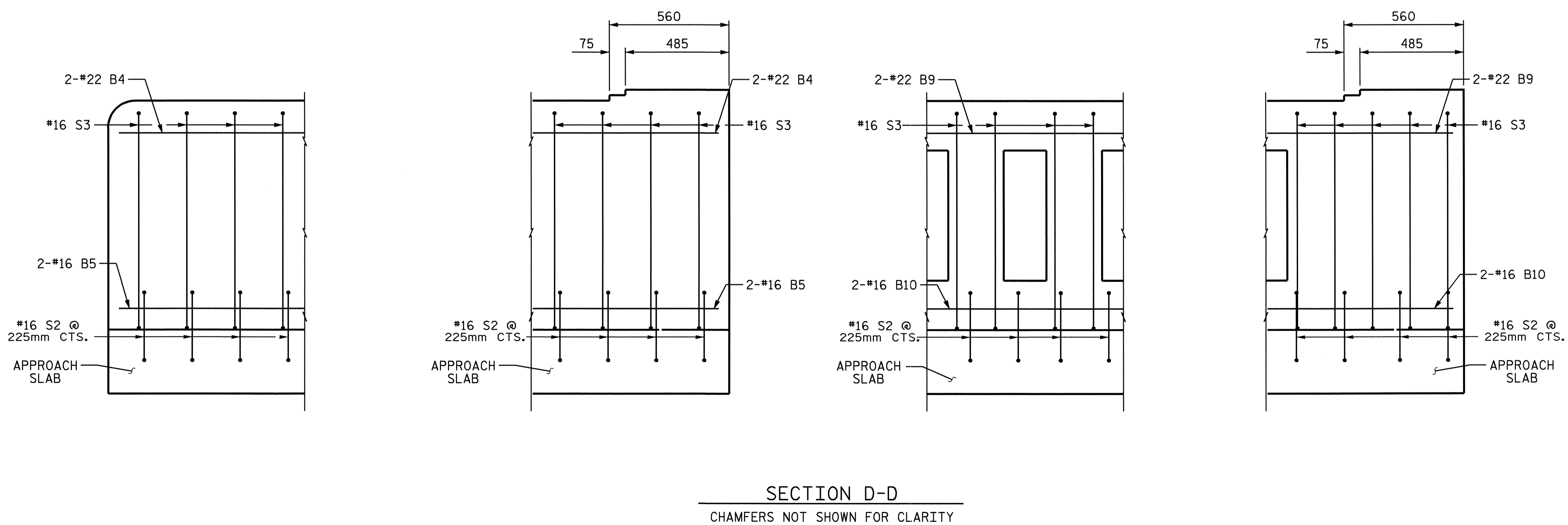
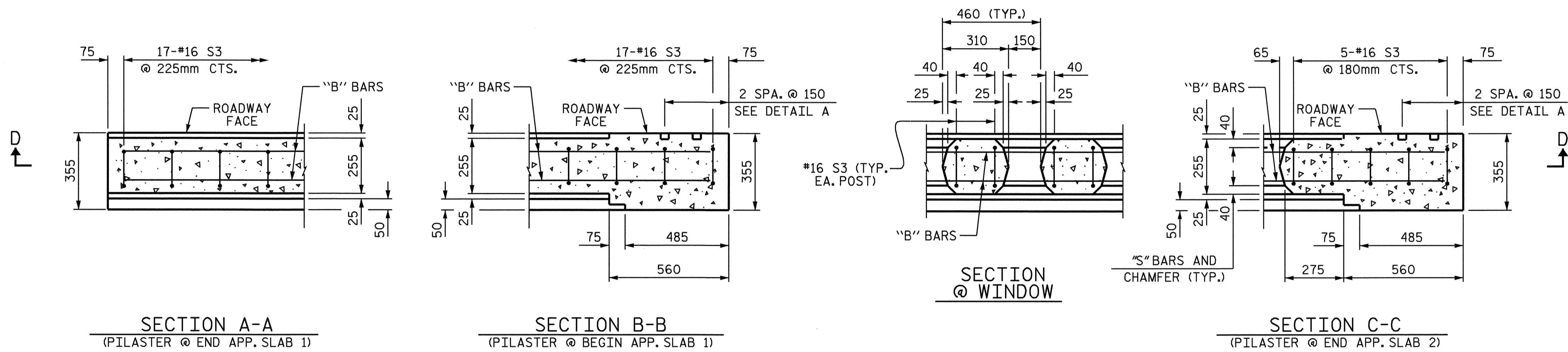


ROADWAY ELEVATION OF RAIL

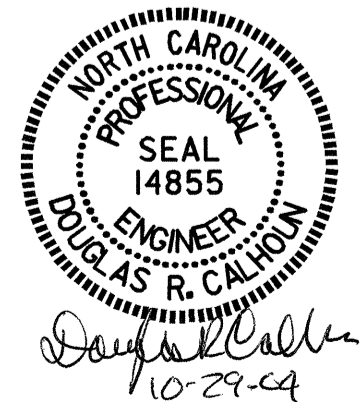
(RIGHT SIDE)



SECTION D-D
CHAMFERS NOT SHOWN FOR CLARITY

PROJECT NO. B-2583
MADISON COUNTY
 STATION: 12+21.750 -L-

SHEET 8 of 14
 STATE OF NORTH CAROLINA
 DEPARTMENT OF TRANSPORTATION
 RALEIGH
**CLASSIC CONCRETE
 BRIDGE RAIL
 (RIGHT SIDE)**



REVISIONS						SHEET NO.	
NO.	BY:	DATE:	NO.	BY:	DATE:	S-62	
1			3			TOTAL	112
2			4				

DRAWN BY : T. A. HARRIS DATE : 8/24/04
 CHECKED BY : K. P. SEDAI DATE : 8/31/04