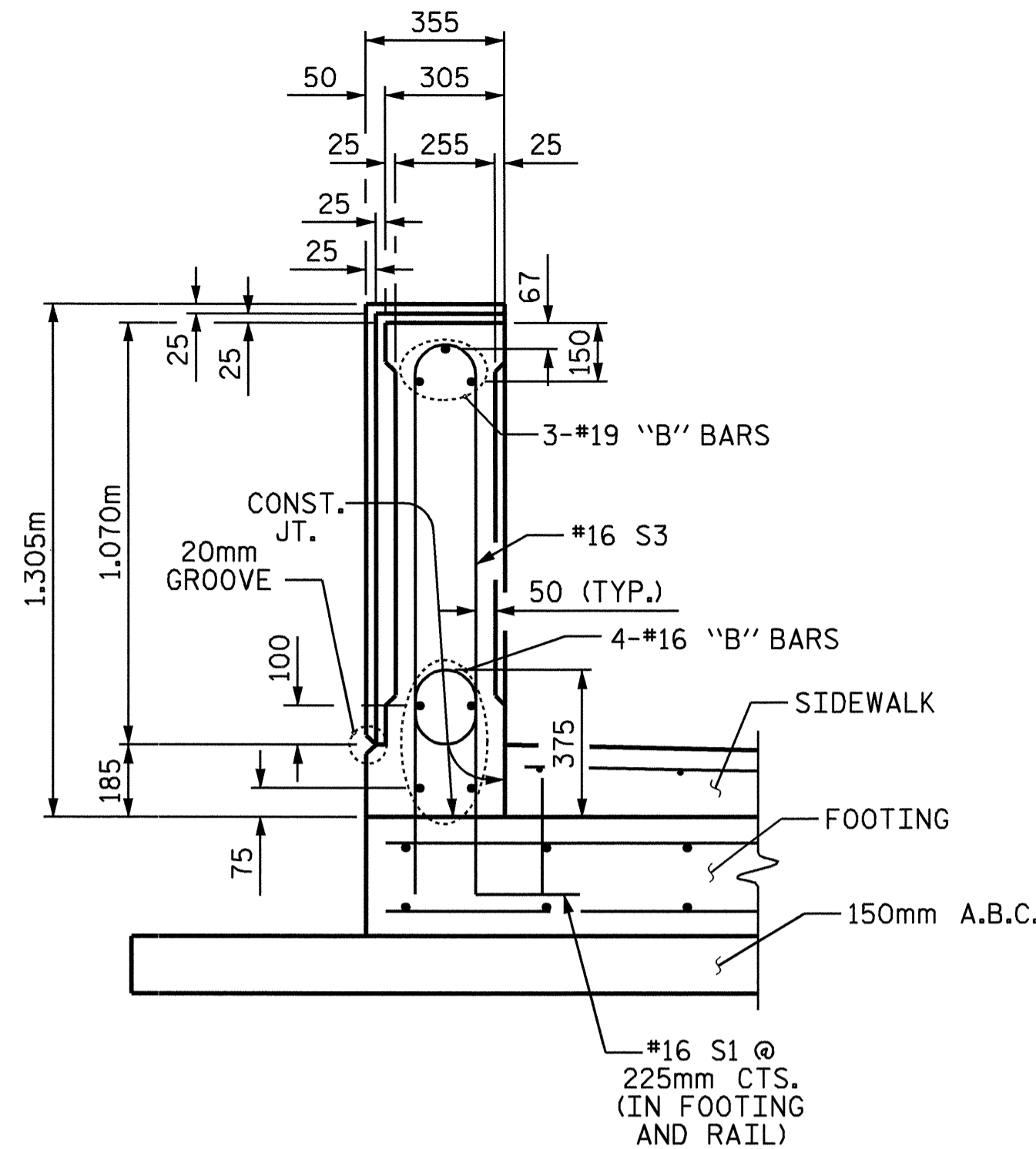
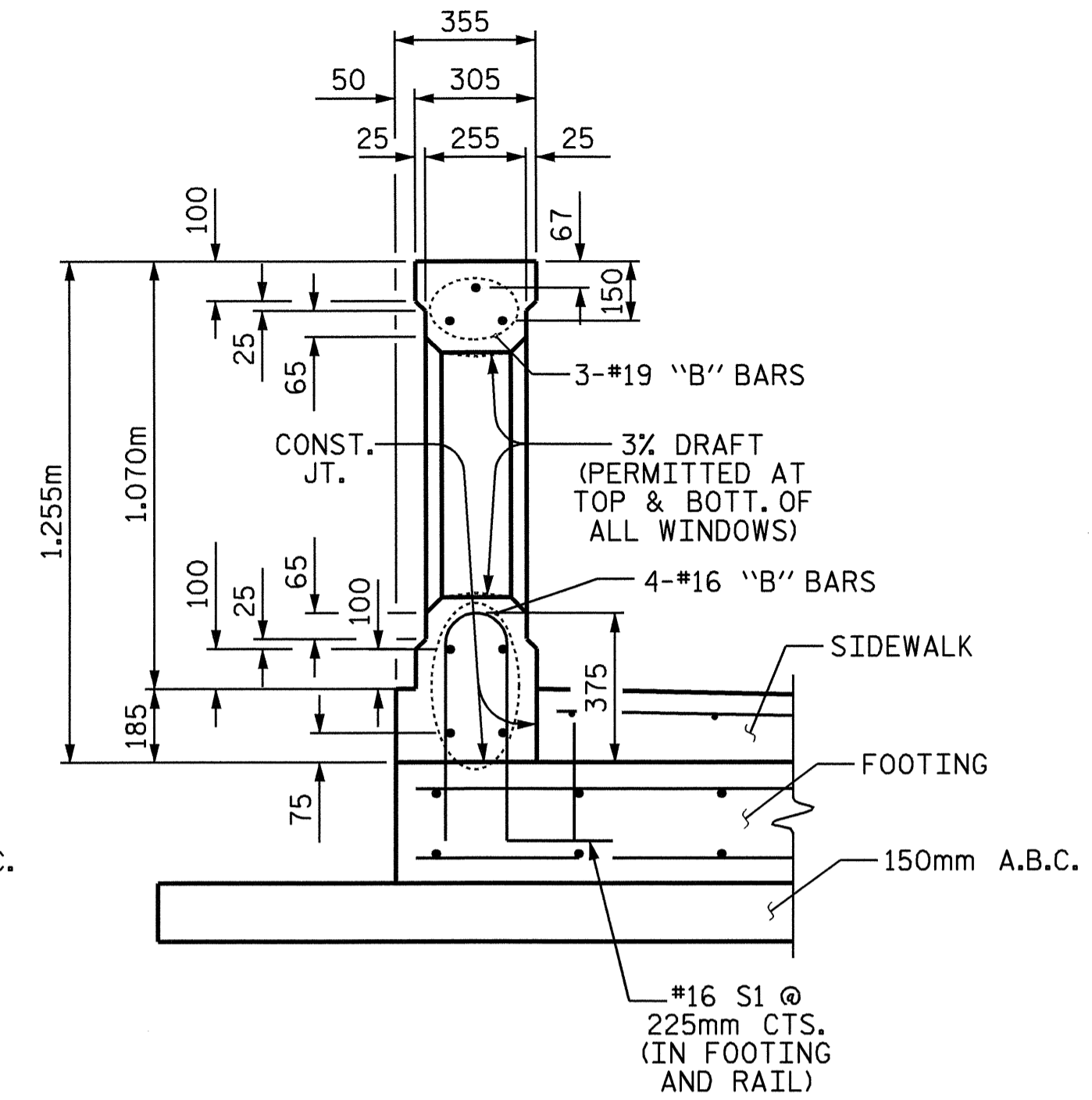


SECTION THRU SIDEWALK
(ON FOOTING BETWEEN STRUCTURES - CURVE "B")



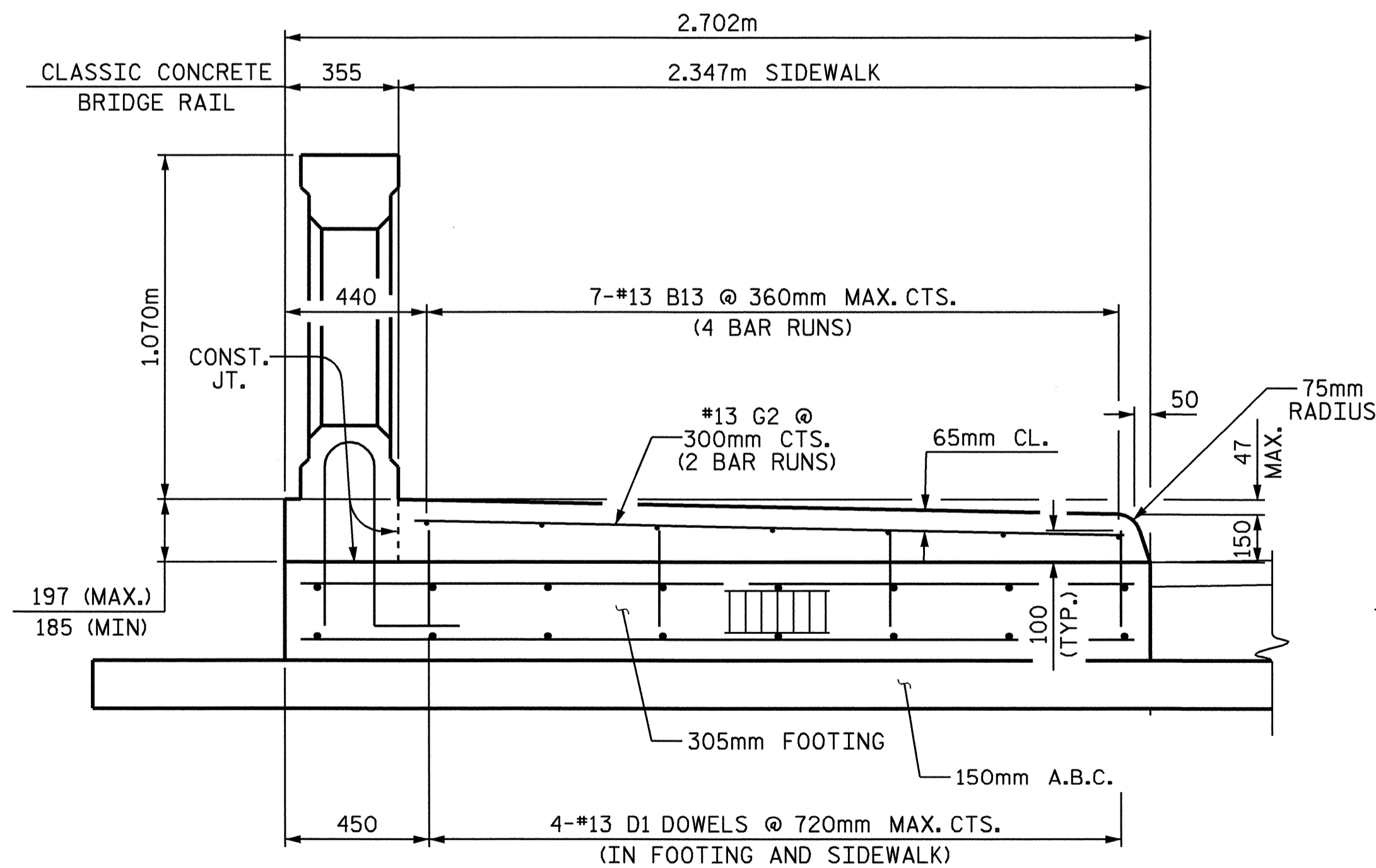
SECTION THRU POST OF RAIL

(ON FOOTING BETWEEN STRUCTURES - CURVE "B")



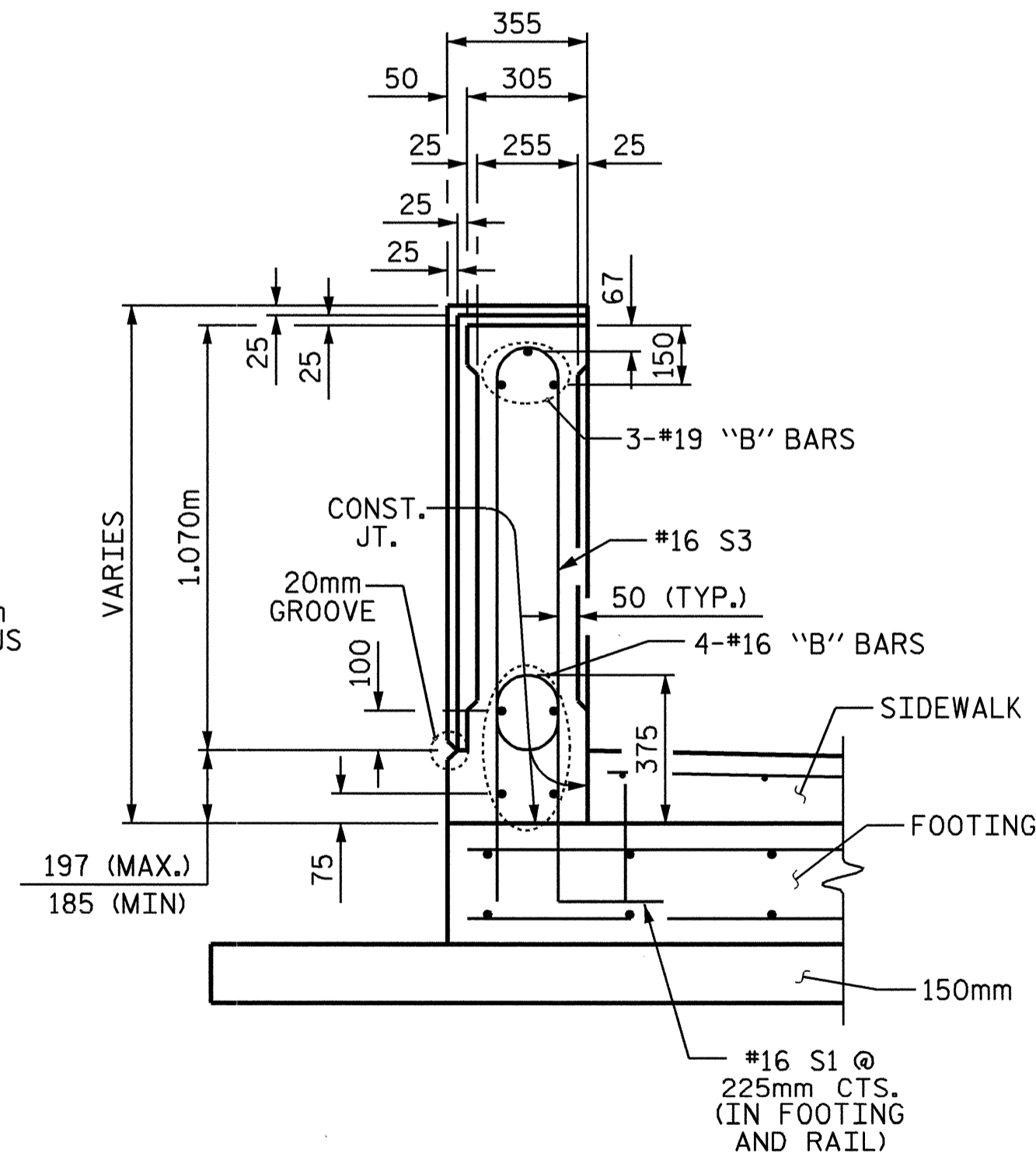
SECTION THRU WINDOW OF RAIL

(ON FOOTING BETWEEN STRUCTURES - CURVE "B")



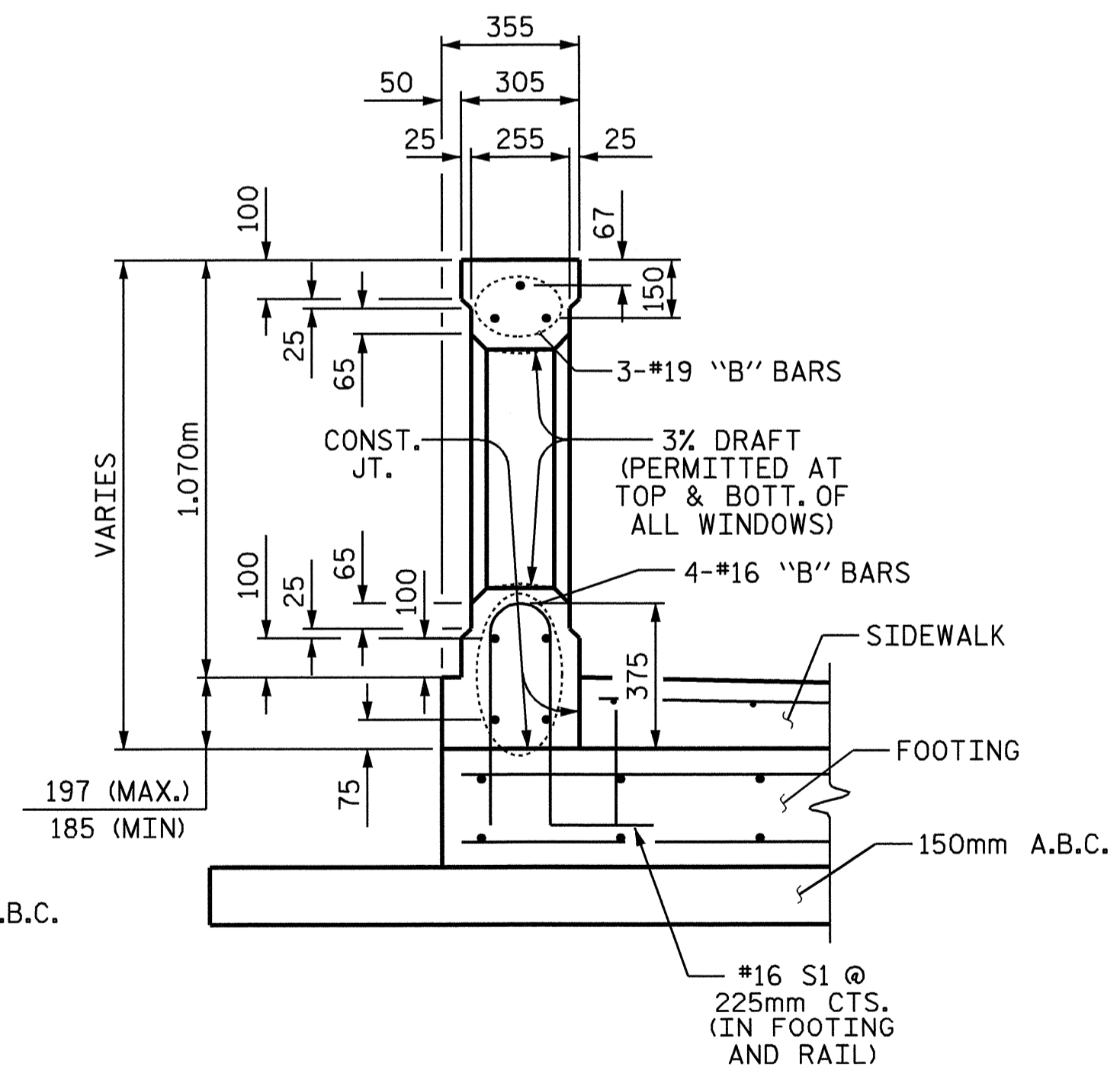
SECTION THRU SIDEWALK

(ON FOOTING BETWEEN STRUCTURES - CURVE "A")



SECTION THRU POST OF RAIL

(ON FOOTING BETWEEN STRUCTURES - CURVE "A")



SECTION THRU WINDOW OF RAIL

(ON FOOTING BETWEEN STRUCTURES - CURVE "A")



PROJECT NO. B-2583
MADISON COUNTY
STATION: 12+21.750 -L-

SHEET 10 of 14

STATE OF NORTH CAROLINA
DEPARTMENT OF TRANSPORTATION
RALEIGH
**CLASSIC CONCRETE
BRIDGE RAIL SECTIONS
BETWEEN STRUCTURES**

DRAWN BY : T. A. HARRIS DATE : 8/24/04
CHECKED BY : K. P. SEDAI DATE : 8/31/04

29-OCT-2004 09:46
W:\squad\b2583\taharris\Microstation\str\b2583.sd.as.01.dgn
TAHarris

REVISIONS						SHEET NO.	
NO.	BY:	DATE:	NO.	BY:	DATE:	S-64	
1			3			TOTAL SHEETS	
2			4			112	