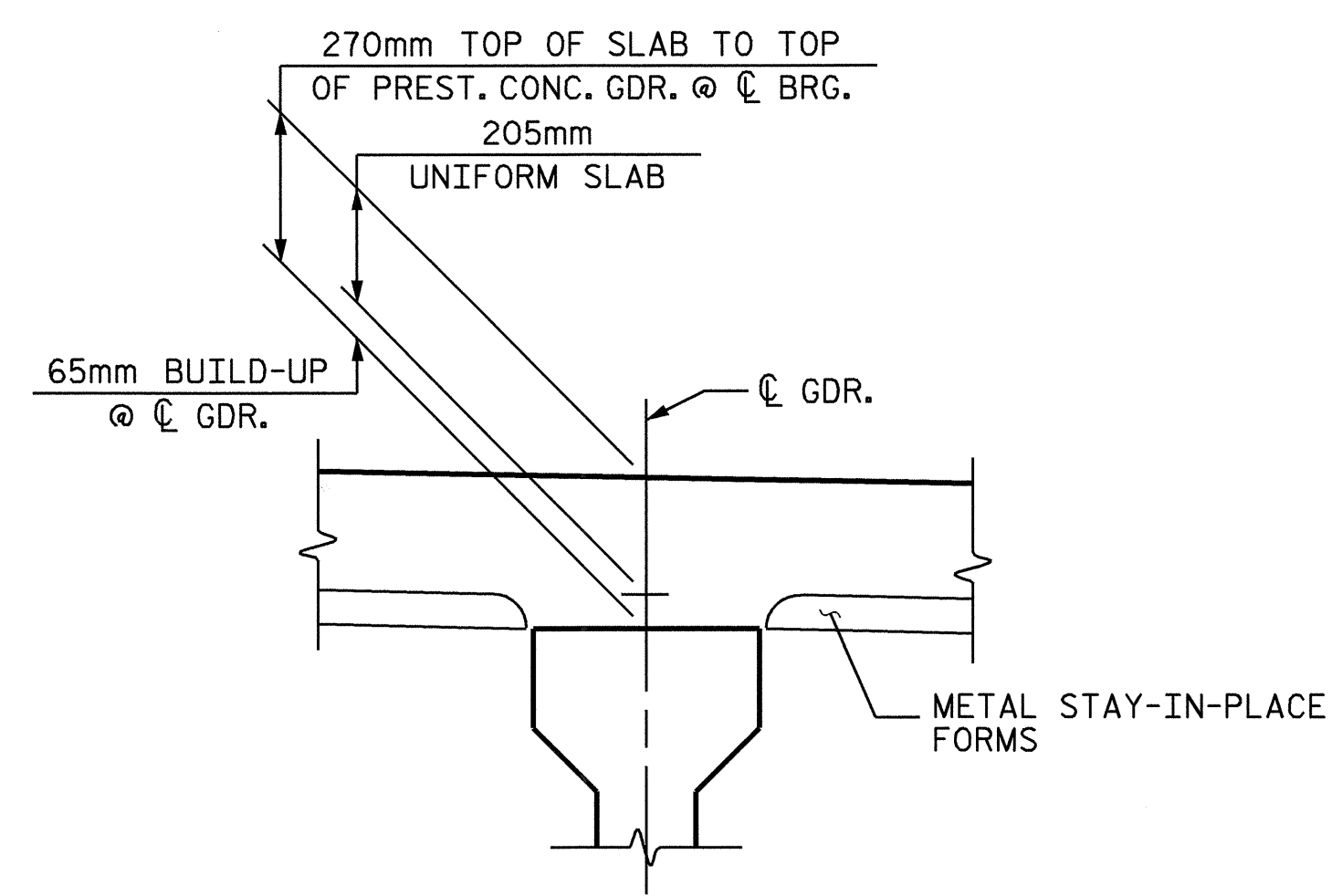


AT END BENT 2 DIAPHRAGMS

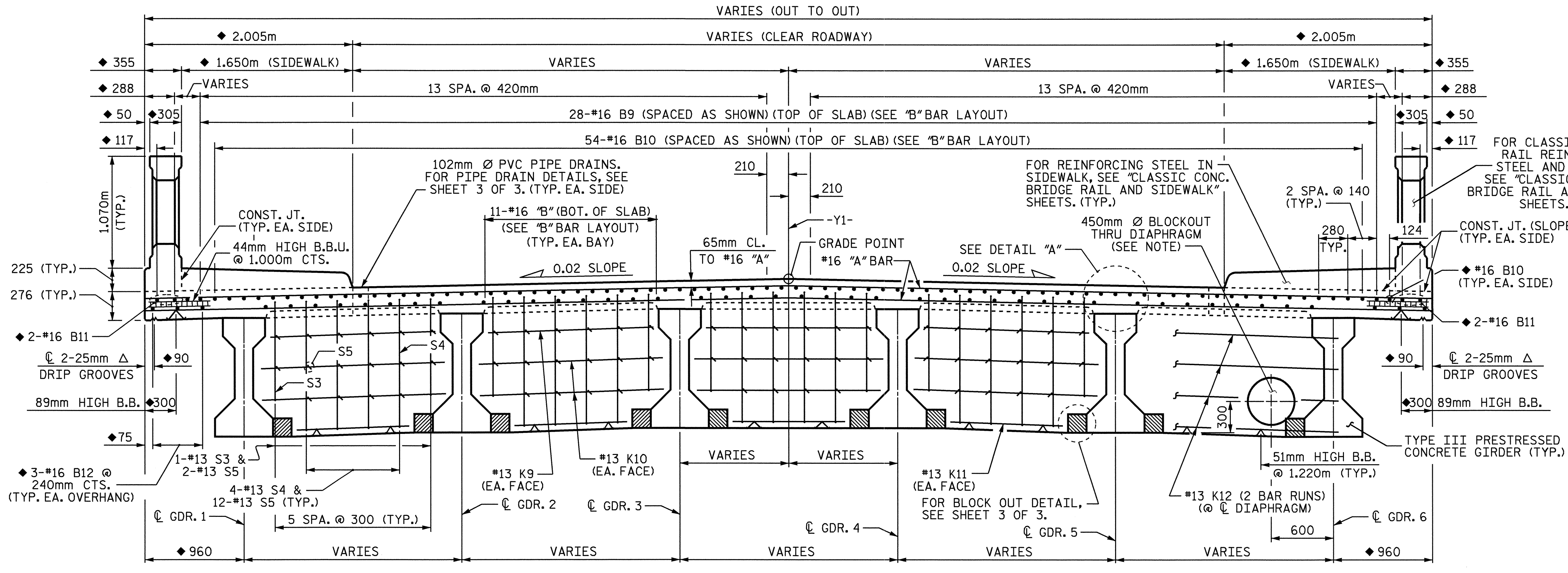
AT INTERMEDIATE DIAPHRAGMS (SPAN C)

TYPICAL SECTION (SPAN C)

◆ PARALLEL TO EDGE OF SUPERSTRUCTURE



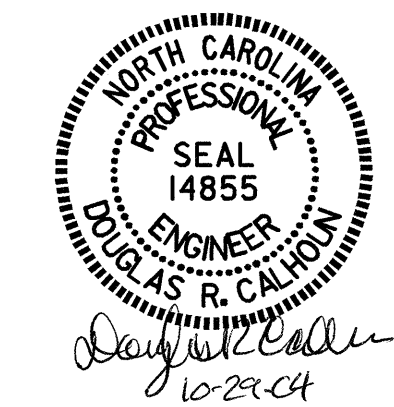
DETAIL "A"



TYPICAL SECTION AT BENT 2 DIAPHRAGM

◆ PARALLEL TO EDGE OF SUPERSTRUCTURE

PROJECT NO. B-2583  
MADISON COUNTY  
 STATION: 11+03.000 -Y1-  
 SHEET 2 OF 3



STATE OF NORTH CAROLINA  
 DEPARTMENT OF TRANSPORTATION  
 RALEIGH

**SUPERSTRUCTURE  
 TYPICAL SECTION**

REVISIONS						SHEET NO.	
NO.	BY:	DATE:	NO.	BY:	DATE:	S-73	
1			3			TOTAL SHEETS 112	
2			4				

DRAWN BY : T. A. HARRIS DATE : 11/5/02  
 CHECKED BY : W. S. ARAFAT DATE : 5/16/04