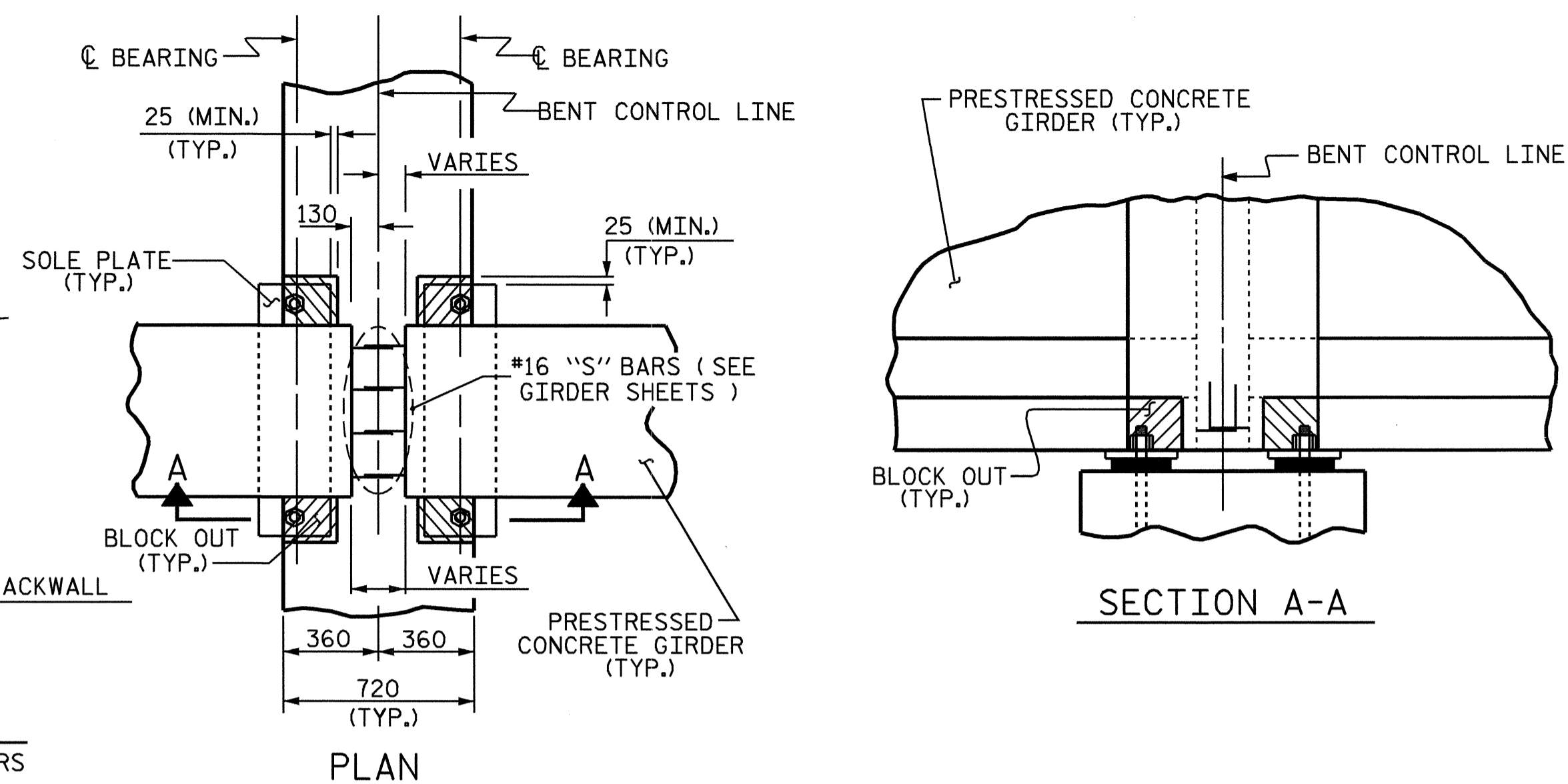
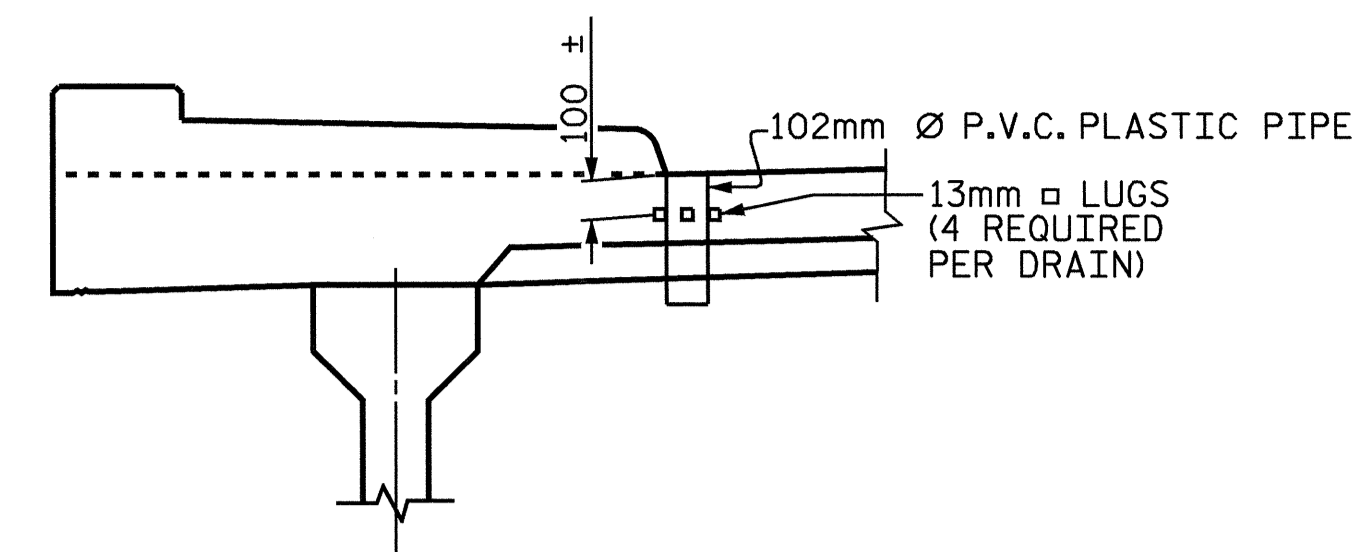


PLAN OF DIAPHRAGM AT END BENT



BENT DIAPHRAGM BLOCK-OUT DETAIL

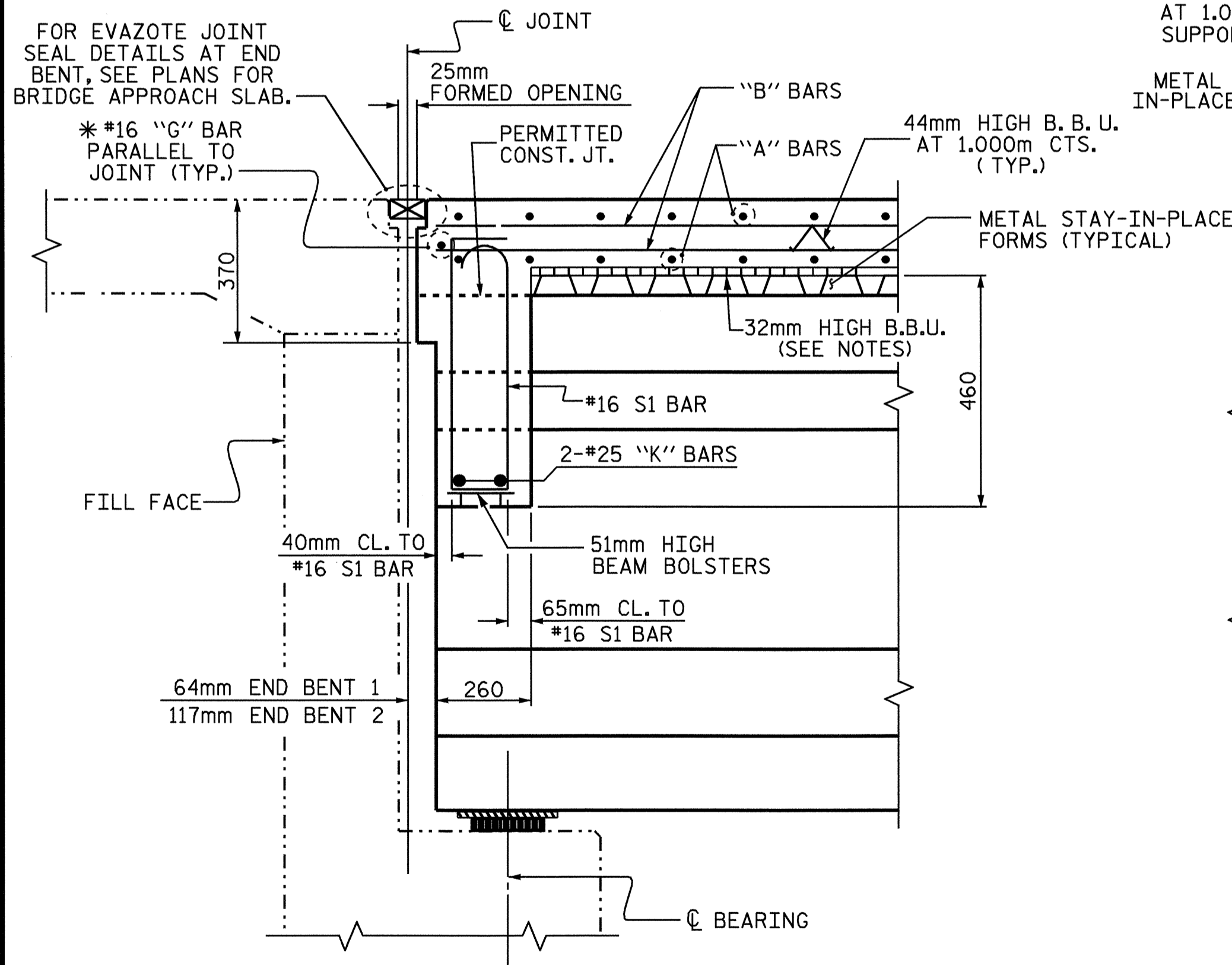


DRAIN DETAIL

TOP OF FLOOR DRAINS TO SET 10mm BELOW SURFACE OF SLAB.

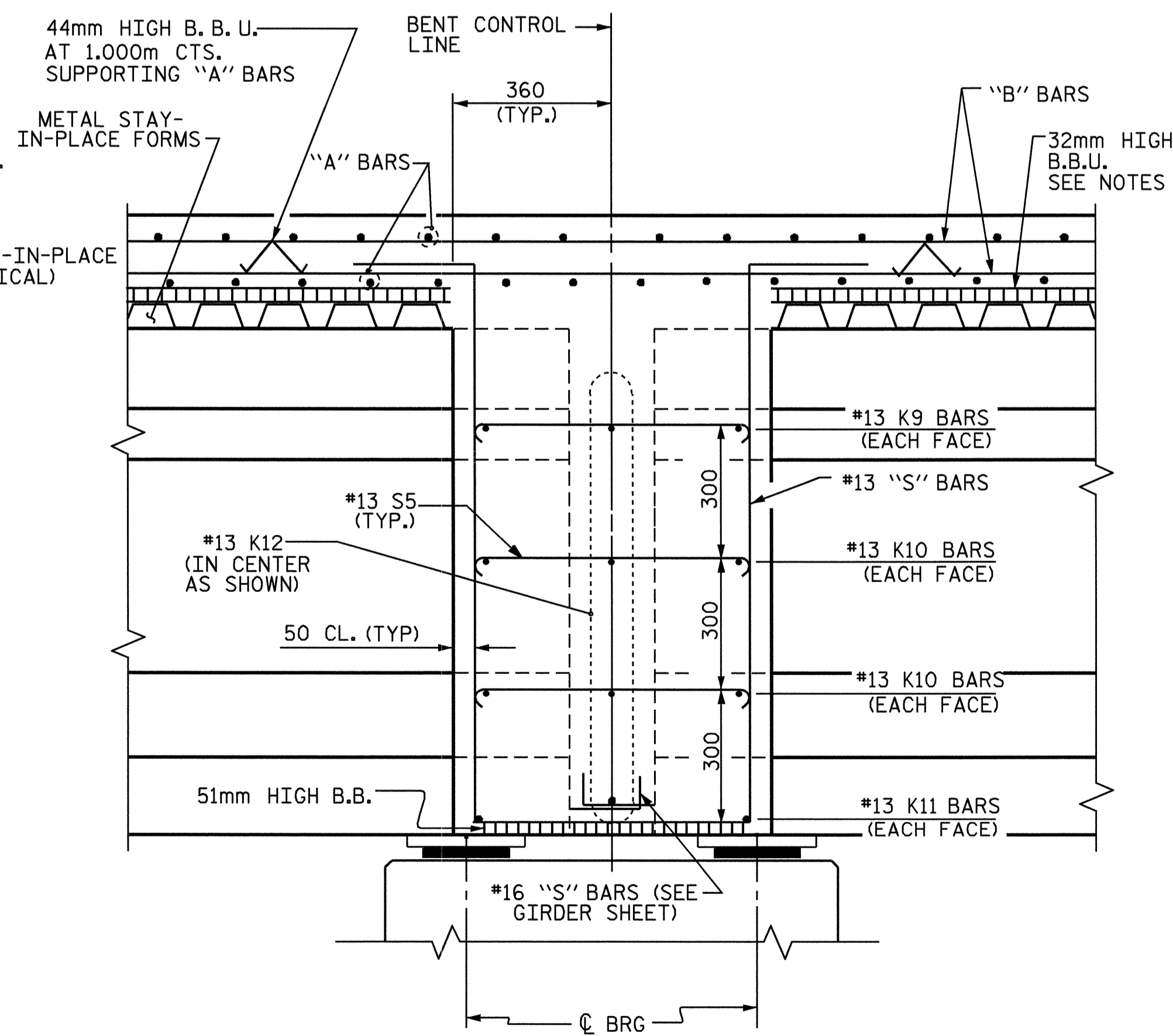
4 - 13mm SQUARE LUGS TO BE GLUED TO THE PVC PLASTIC PIPE AT EQUAL SPACES AROUND THE PIPE DRAIN APPROXIMATELY 100mm FROM THE TOP OF THE PIPE.

THE 102mm Ø PVC PLASTIC PIPE AND FITTINGS SHALL BE SCHEDULE 40 AND CONFORM TO ASTM D1785.

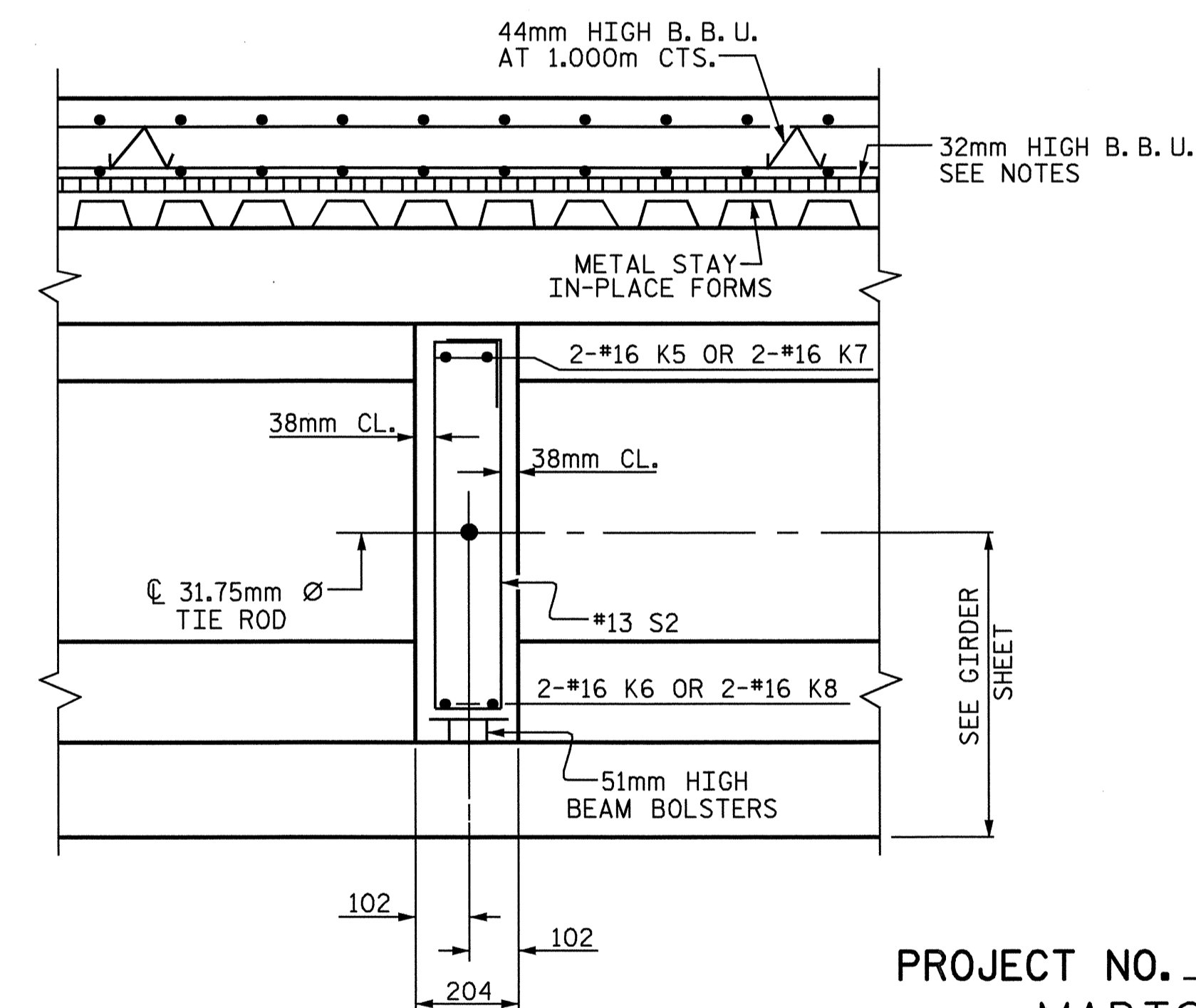


SECTION THRU END BENT DIAPHRAGM

*#16 "G" BAR MAY BE SHIFTED SLIGHTLY AS NECESSARY TO CLEAR REINFORCING STEEL AND STIRRUPS.



SECTION THRU BENT DIAPHRAGM

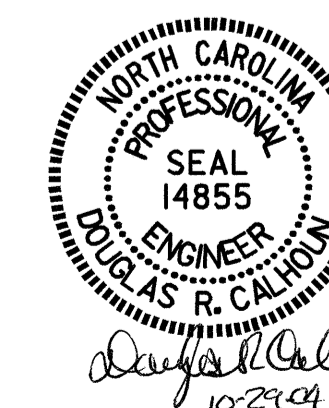


SECTION THRU INTERMEDIATE DIAPHRAGM

PROJECT NO. B-2583
MADISON COUNTY
STATION: 11+03.000 -Y1-
SHEET 3 OF 3

STATE OF NORTH CAROLINA
DEPARTMENT OF TRANSPORTATION
RALEIGH

SUPERSTRUCTURE
TYPICAL SECTION



DRAWN BY: T. A. HARRIS DATE: 11/5/02
CHECKED BY: W. S. ARAFAT DATE: 5/16/04

29-OCT-2004 09:52
W:\squado\b2583\taharris\Microstation\str2\b2583_sd_ts_02.dgn
TAHarris

| REVISIONS | | | | | | SHEET NO. | |
|-----------|-----|-------|-----|-----|-------|--------------|-----|
| NO. | BY: | DATE: | NO. | BY: | DATE: | S-74 | |
| 1 | | | 3 | | | TOTAL SHEETS | 112 |
| 2 | | | 4 | | | | |