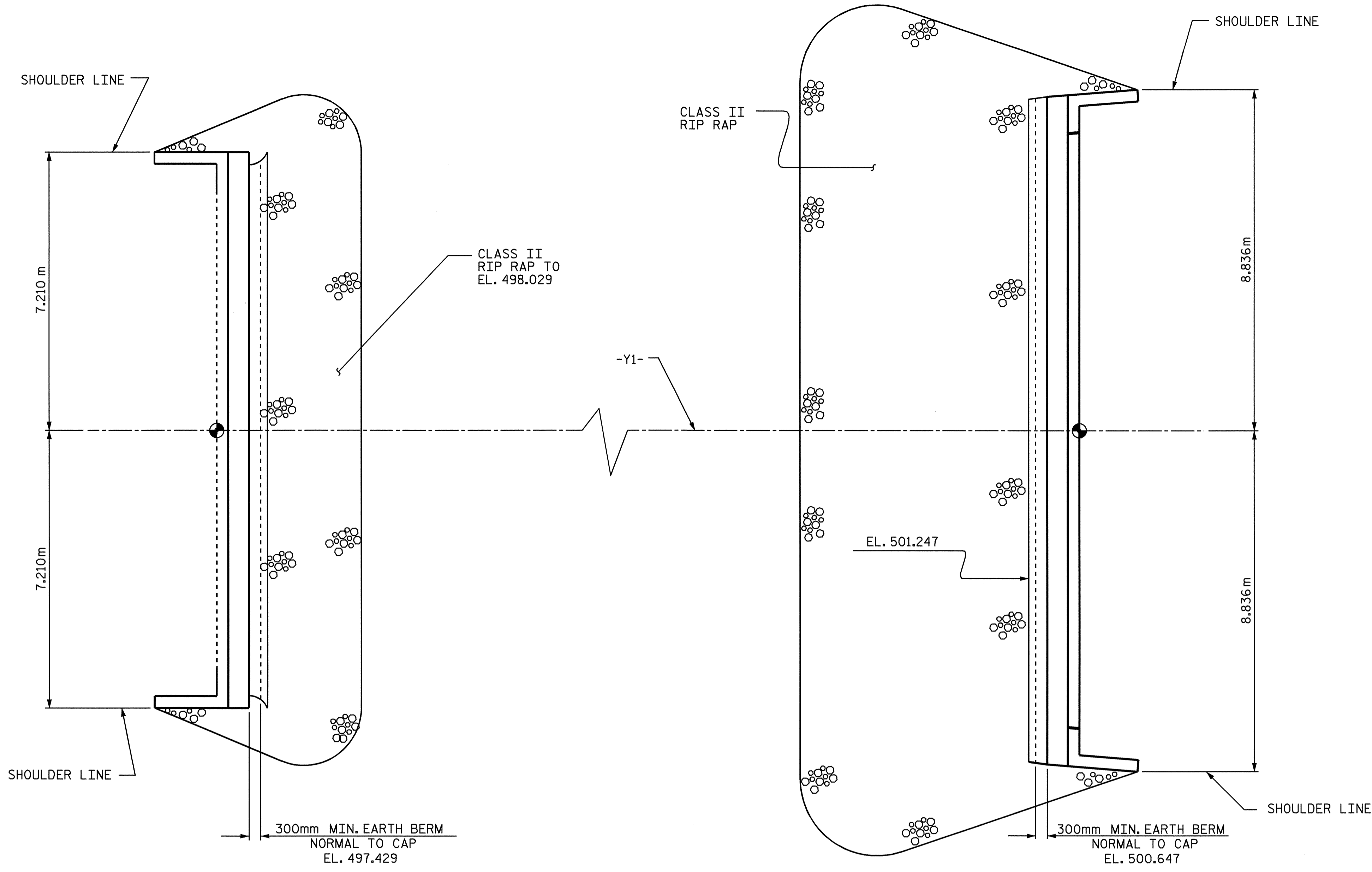


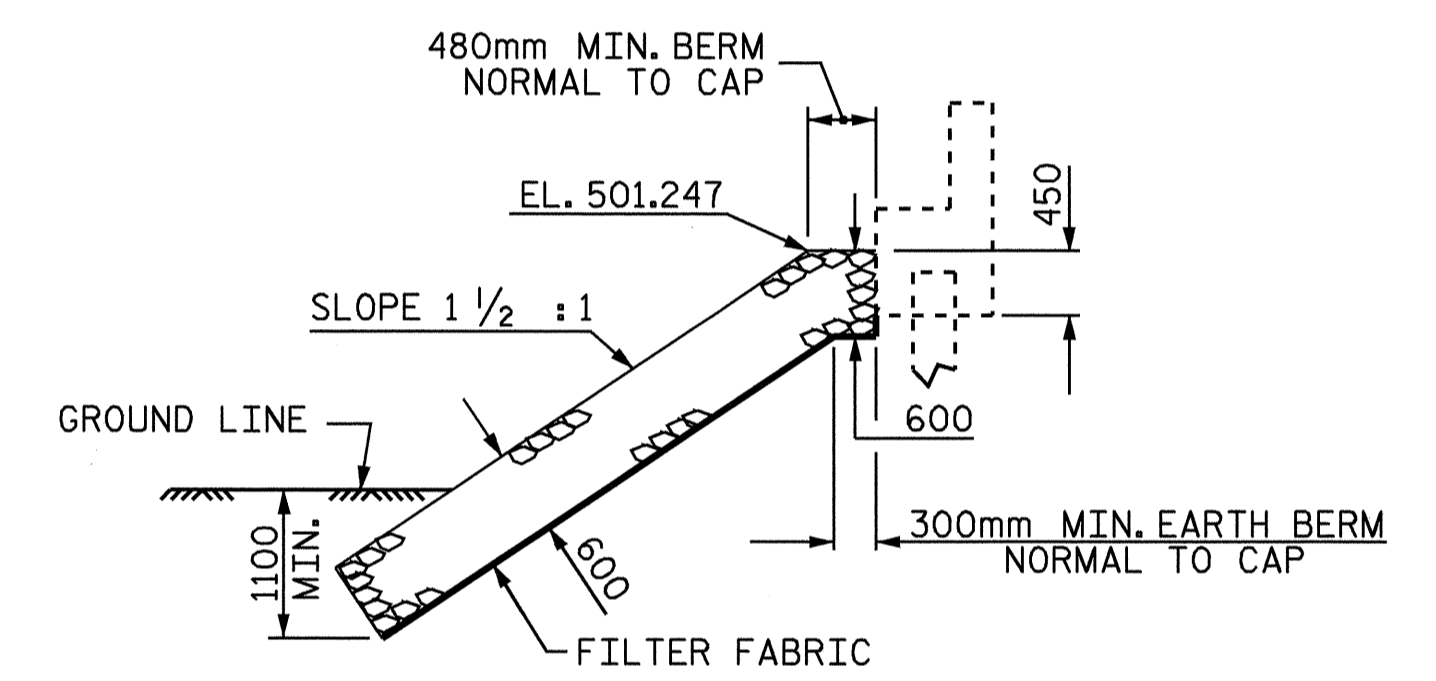
NOTES :  
FOR BERM WIDTH DIMENSIONS, SEE GENERAL DRAWING.



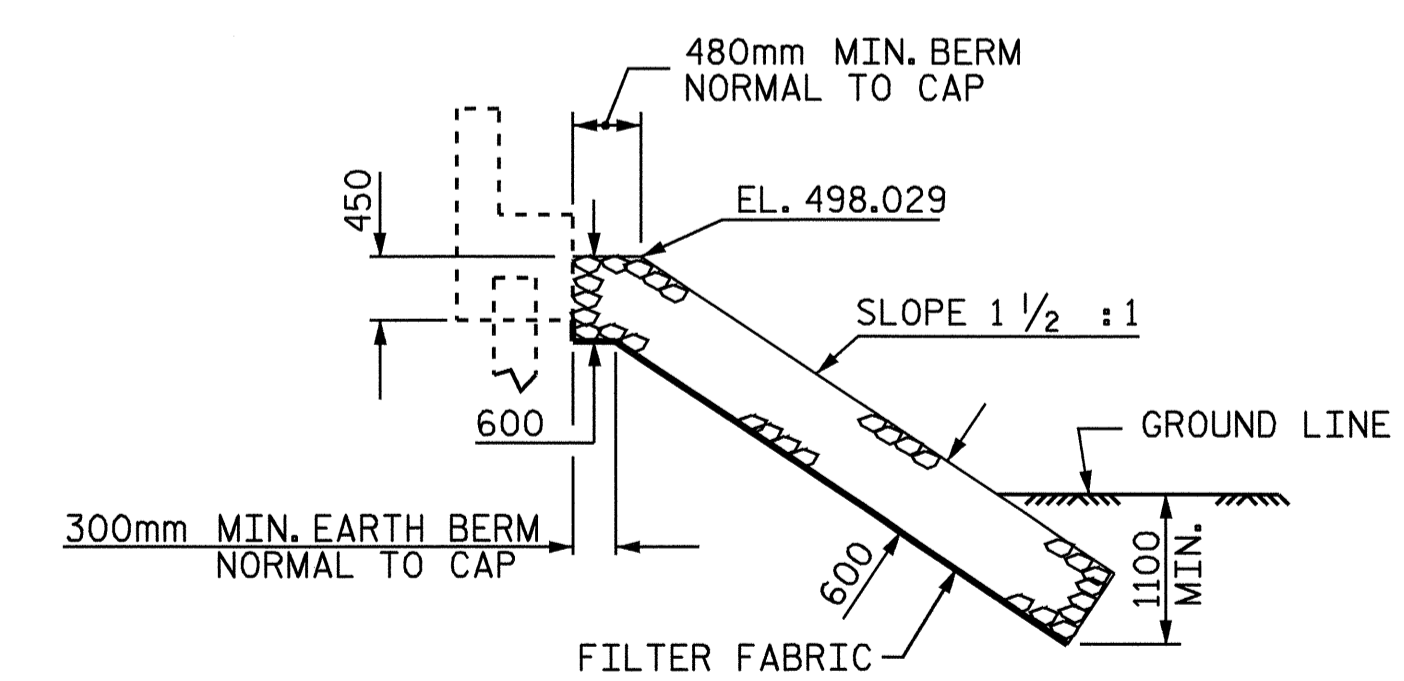
PLAN @ END BENT 1

PLAN @ END BENT 2

| ESTIMATED QUANTITIES           |                           |                               |
|--------------------------------|---------------------------|-------------------------------|
| BRIDGE @<br>STA. 11+03.00 -Y1- | PLAIN RIP RAP<br>CLASS II | FILTER FABRIC<br>FOR DRAINAGE |
|                                | METRIC TON                | SQUARE METERS                 |
| END BENT 1                     | 65                        | 66                            |
| END BENT 2                     | 150                       | 153                           |



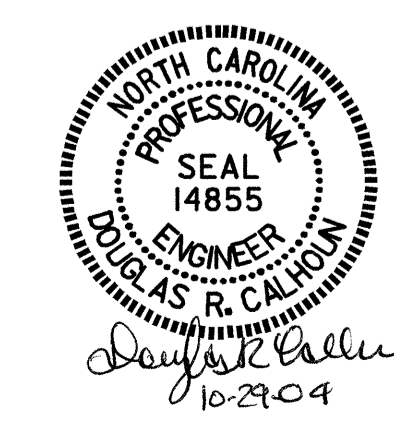
SECTION @ END BENT 2



SECTION @ END BENT 1

PROJECT NO. B-2583  
MADISON COUNTY  
STATION: 11+03.00 -Y1-

STATE OF NORTH CAROLINA  
DEPARTMENT OF TRANSPORTATION  
RALEIGH  
STANDARD  
= RIP RAP DETAILS =



|                            |                       |
|----------------------------|-----------------------|
| ASSEMBLED BY : E. G. ALLEN | DATE : 6/11/04        |
| CHECKED BY : A. L. MEADOWS | DATE : 6/11/04        |
| DRAWN BY : FCJ 2/88        | REV. 7/17/98 REK/RWW  |
| CHECKED BY : ARB 8/88      | REV. 8/16/99 RWW/LES  |
|                            | REV. 10/17/00 RWW/LES |

| REVISIONS |     |       |     |     |       | SHEET NO.    |
|-----------|-----|-------|-----|-----|-------|--------------|
| NO.       | BY: | DATE: | NO. | BY: | DATE: | TOTAL SHEETS |
| 1         |     |       | 3   |     |       | 112          |
| 2         |     |       | 4   |     |       | 112          |